

AUTOMATIC SYSTEMS
EXTENSION PLANS 108 & 108A (INTERNAL ONLY)
USING TELEPHONES Nos. 746 & 740

N4511
PAGE I-3
ISSUE B

NOTES:-

1. The facilities of Plan 108 & 108A are shown on Dgm. N1452.

2. **APPARATUS REQUIRED**

AT EACH MAIN

Telephone No. 746
 Switch No. 5A-4
 Switch No. 19B-1
 Part 1/DBU/362
 Resistor Coil No. 35A 47Ω
 Resistor Coil No. 35A 120Ω
 Cord Instrument No. 6/61 AT...
 Block Terminal No. 36B
 Part 1/DPL/1022
 2 Parts 1/DPI/203

AT EXTENSION

Telephone No. 740
 Part 5/DCO/723
 2 Parts 1/DSP/1244
 Part 5/DBU/372 (1)
 Part 6/DBU/372 (2)
 Part 10/DBU/372 (ON/OFF)
 2 Parts 2/DST/836
 Switch No. 23A-1
 Buzzer No. 32C-3
 Bell No. 56A
 2 Lamp Fittings No. 16A
 2 Lamps No. 26D
 Power-Unit No. 53A (See Note 7)
 Cord Instrument No. 18/04 AJ...
 or 18/09 AD... (See Note 9)
 Block, Terminal No. 37B

3. **MAINS**

Recover Cord Instrument No. 4/121AT and Block Terminal No. 52A from Telephone No. 746. Rearrange straps. Fit Switch No. 5A-4 with Part 1/DBU/362, Switch No. 19B-1 in auxiliary gravity springset position and resistors. Fit Cord Instrument No. 6/61AT and Block Terminal No. 35A.

4. An extension bell may be connected in place of strap BT3-BT9 at either main.

5. **EXTENSION**

Rearrange straps on Telephone No. 740. Fit Parts 1/DSP/1244 in positions A & D, Switch No. 23A-1 in position B. Fit Parts 5 & 6/DBU/372 in positions A&D respectively, Part 10/DBU/372 in

position B. Latches A & D should be at setting 1, Latch B at setting 3, and Latches X and Y at setting 4 (See N840). Fit Buzzer No. 32C-3, and Lamp Fittings No. 16A into position on side of gravity switch bracket. Fit Cord Instrument No. 18/04 AJ... or 18/09 AD... Spare leads should be insulated. Fit the cover Part 5/DCO/723 and Block Terminal No. 37B.

6. The diagram shows the connexions for Plan 108. For Plan 108A, the following modifications are required in the Extension telephones:-

Line 1 - Transfer strap T20-T21 to T21 to T22 and recover strap T23-T24.

Line 2 - Transfer strap T26-T27 to T27-T28 and recover strap T29-T30.

If required, the Extension can be connected to have secrecy against one Main only.

7. The Power-Unit No. 53A should be fitted in a position adjacent to a 3-pin mains socket. If a suitable mains supply is not available, 4 Cells, Dry R40 and 1 Box Battery No. 6 may be fitted in lieu. The resistors in the telephones at the Main Stations will not be required and the appropriate terminals should be strapped.

8. See Dgm. N4700 for add-on items when alternative telephones are used.

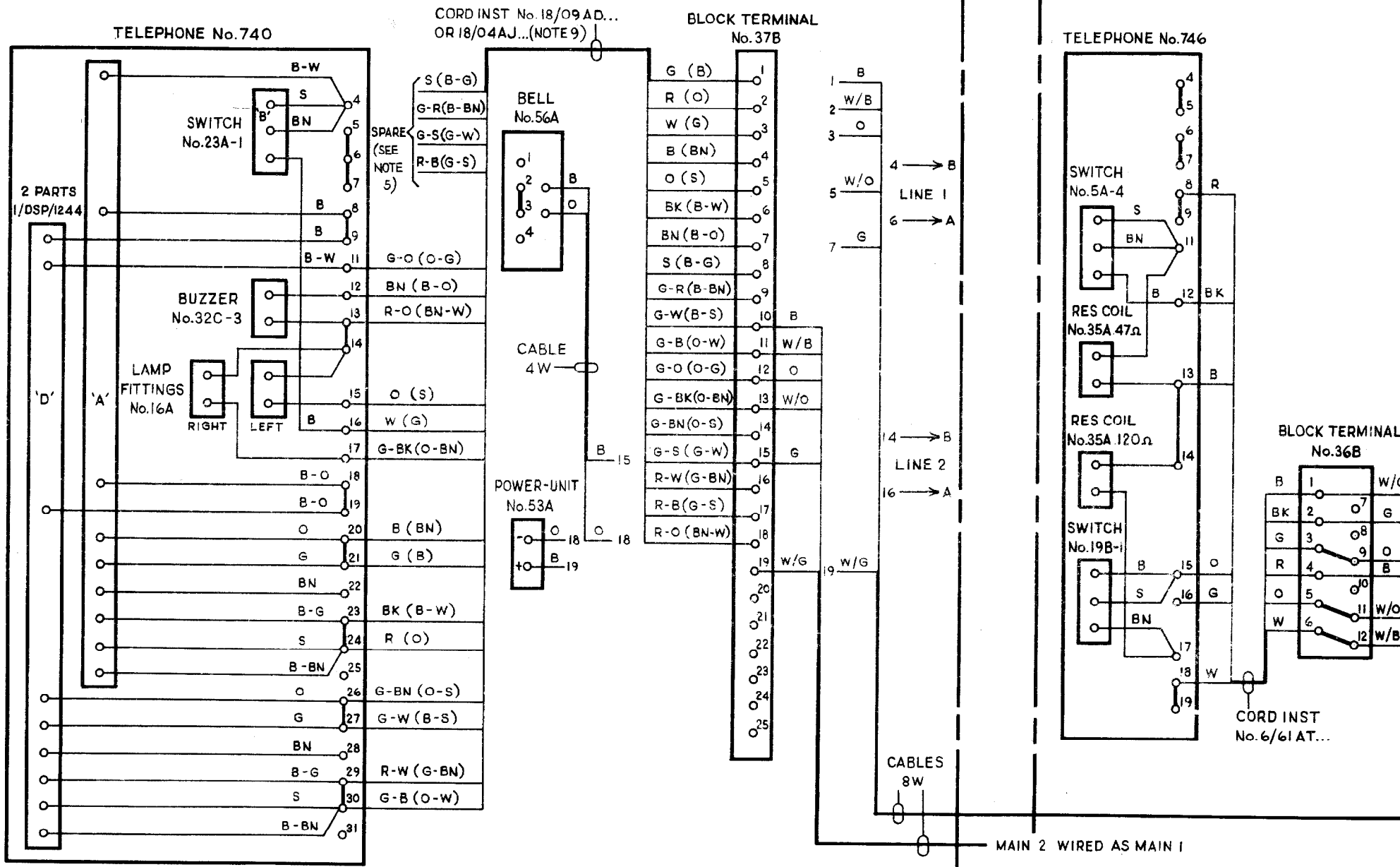
9. The cord conductor colours shown are those for a Cord Inst. No. 18/09 AD... The colours shown in brackets refer to the Cord Inst. No. 18/04 AJ...

PD TELECOMMS HORS PAPER:- W DISTN:- CB & AUTO	ISSUE	B	TELES CHANGED. NOTES REWRITTEN <i>DF</i> T07.1.1	7.7.75
		A	REVISED FORM. RESISTORS COIL WERE RESISTORS CARBON AT MAIN. NOTES 3 & 7 AMENDED. M.B.M	13.1.66

EXTENSION

MAIN 2

MAIN 1



MAIN 2 WIRED AS MAIN 1