

**AUTOMATIC SYSTEM
EXTENSION PLANS 107 & 107A (INTERNAL & EXTERNAL)
USING PLANPHONE A**

**N4509
PAGE 1-7
ISSUE E**

NOTES:-

1. The facilities of Plans 107 & 107A are shown on Dgm. N1451.

2. **APPARATUS REQUIRED**

MAIN

Planphone A (Note 3)
Power Unit No. 53B (Note 6)
Converter Ringing No. 9A (External Extn only)

EXTENSION

Telephone No. 746
Switch No. 5A-4
Part 1/DPL/1022
2 Parts 1/DPI/203
Part 1/DBU/362
Buzzer No. 32C-3
Cord Inst. No. 6/61 AT } Internal Extension only
Block Terminal No. 36B }
Switch No. 19B-1 (External Extension only)

MAIN

3. See Dgm. N628 for alternative apparatus, when a Planphone A is either not suitable or not available.

4. The diagram shows the connexions for Plan 107, for Plan 107A strap terminals 18 and 19 in Planphone A (two straps are located between terminals 6 and 7 one of these should be used) and shift B-W conductor from 24 to 25.

5. When extension bell is required:-

With Internal Extension, remove strap between Planphone A terminals 6 and 7, connect extension bell between terminals BT6 and BT7. With External Extension, remove strap between Planphone A terminals 7 and 8. Transfer earth from BT7 to BT5 and connect extension bell between terminals BT5 & BT7.

6. The Power Unit No. 53B should be fitted in a position adjacent to a 3 pin mains socket. 8 Cells Dry R40 and a Box Battery No. 10 may be provided in lieu of Power Unit No. 53B if a suitable mains supply is not available. To prevent damage care must be taken to connect the 10v supply, positive to BT2, negative to BT1.

7. When this diagram is used for a PBX extension without recall, an internal extension may only be provided.

8. The cord conductor colours shown are those for a Cord Inst. No. 18/09 AD. The colours shown in brackets refer to the Cord Inst. No. 18/04 AJ.

EXTENSION

9. See Dgm. N4700 for add-on items when alternative telephones are used.

INTERNAL EXTENSION

10. Recover Cord Inst. No. 4/121 AT and Block Terminal No. 52A. Provide Cord Inst. No. 6/61 AT and Block Terminal No. 36B. Fit Switch No. 5A-4 with Parts 1/DPL/1022, 1/DBU/362 and 1/DPI/203. Fit Buzzer No. 32C-3 and rearrange straps as shown.

11. An extension bell may be connected in place of the strap between BT2 and BT5.

EXTERNAL EXTENSION

12. Fit Switches 19B-1 and 5A-4 with Parts 1/DPL/1022, 1/DBU/362 and 1/DPI/203. Rearrange connexions and straps as shown.

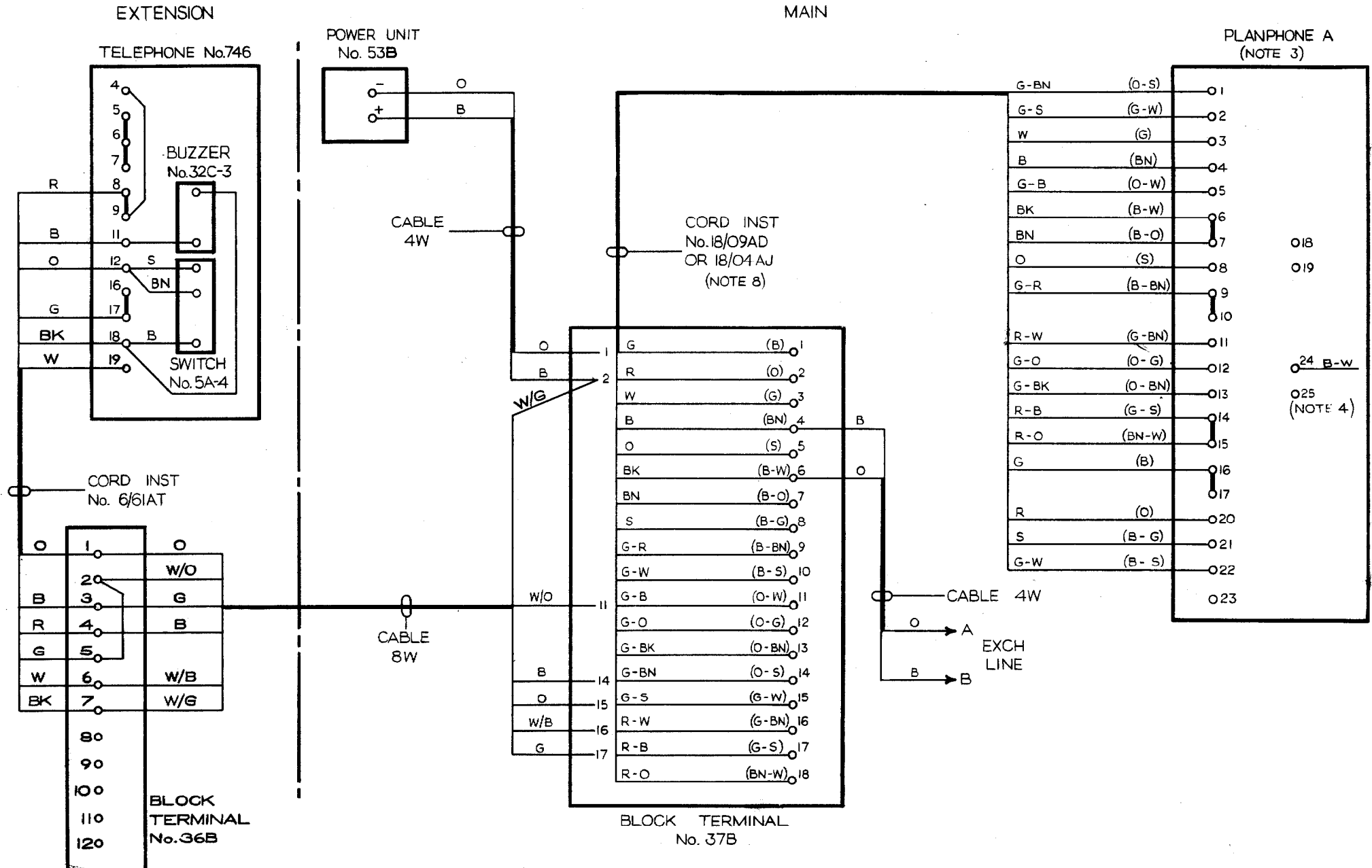
13. When an extension bell is required remove strap between telephone terminals T16-T17 and shift blue cord conductor from T15 to T16. Connect extension between terminals BT2 and BT3 in Block Term. 52A.

14. When the facility, with the exchange line switched to the extension, of an incoming call ringing the bell instead of operating the buzzer at the Main is required, strap terminals 4 and 5 in Planphone A and disconnect the diode connected between terminals 4 and 5 in Converter Ringing No. 9A.

PO TELECOMMS HQRS. PAPER:- W DISTN:- CB & AUTO	ISSUE		
		E	MINOR AMENDMENTS. NOTES 2 4 6 10 & 14 AMENDED. <i>afb</i> 5.1.78
		D	REDRAWN, TELEPHONES CHANGED, NOTES 2-14 REWRITTEN. TD7.1.1 12.12.74
	C	PANEL 9 REDRAWN, NOTES ON PBX's, CORDS & CB AREAS ADDED K. M. A 20.6.63	

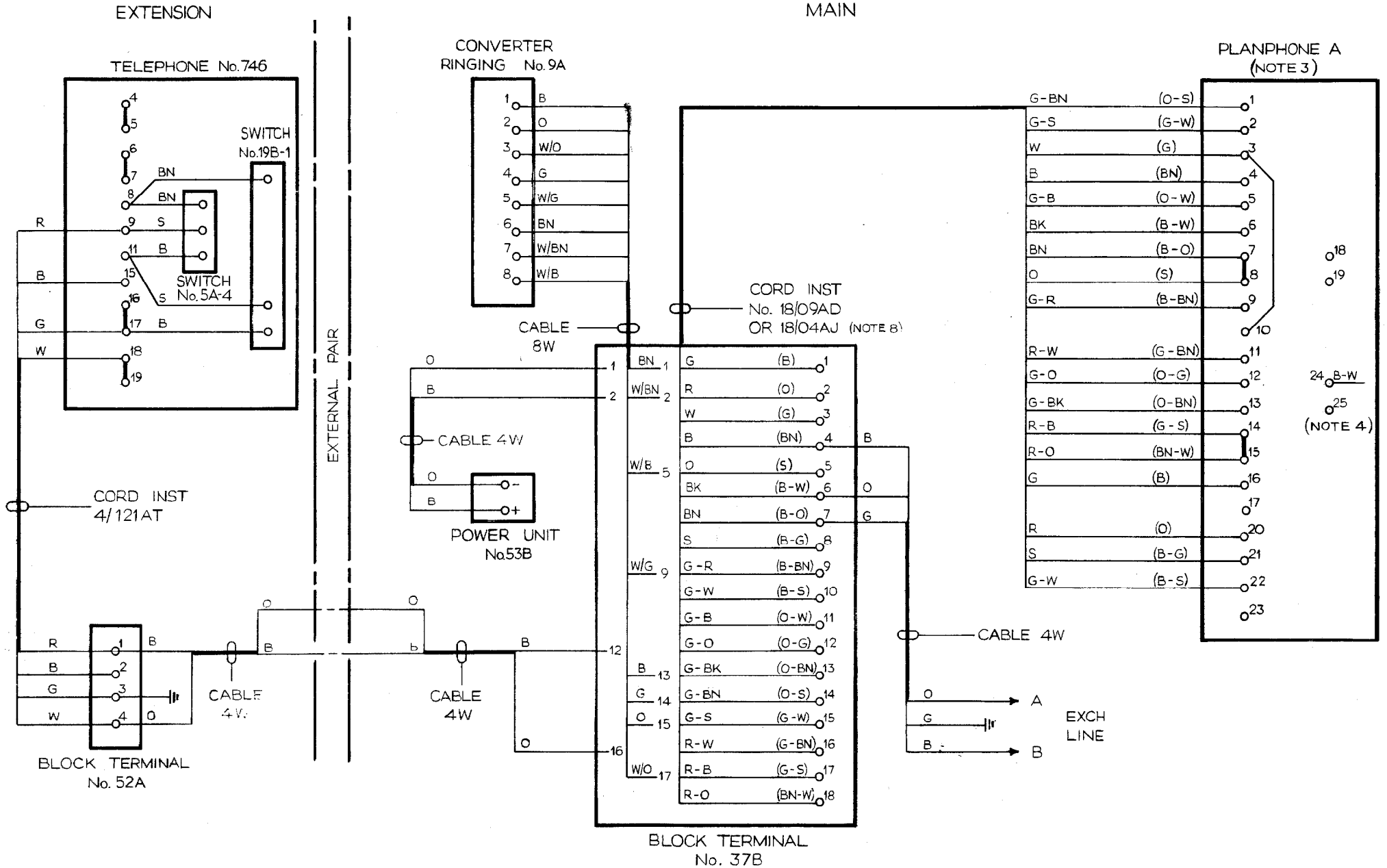
WITH INTERNAL EXTENSION

WIRING

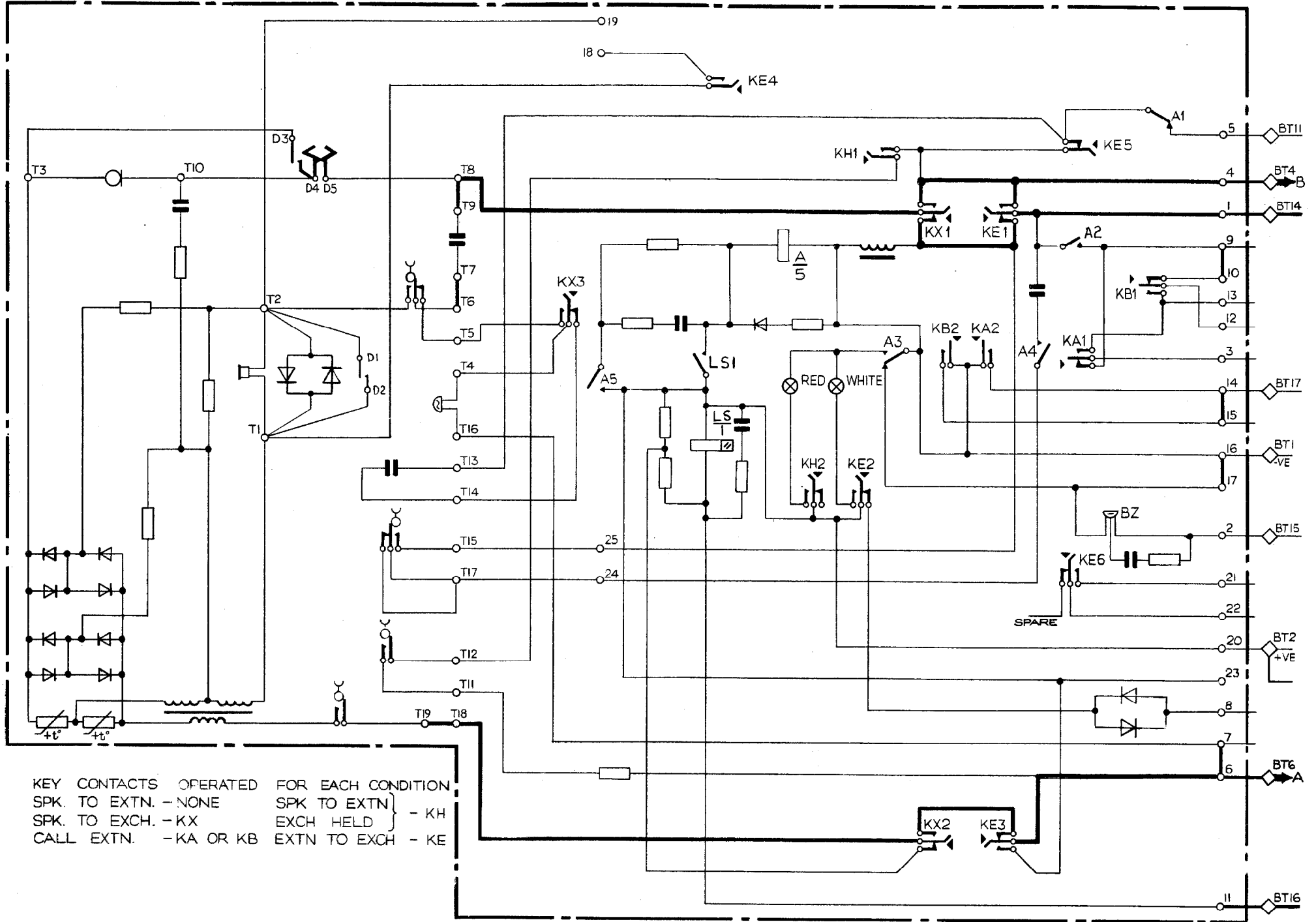


WITH EXTERNAL EXTENSION

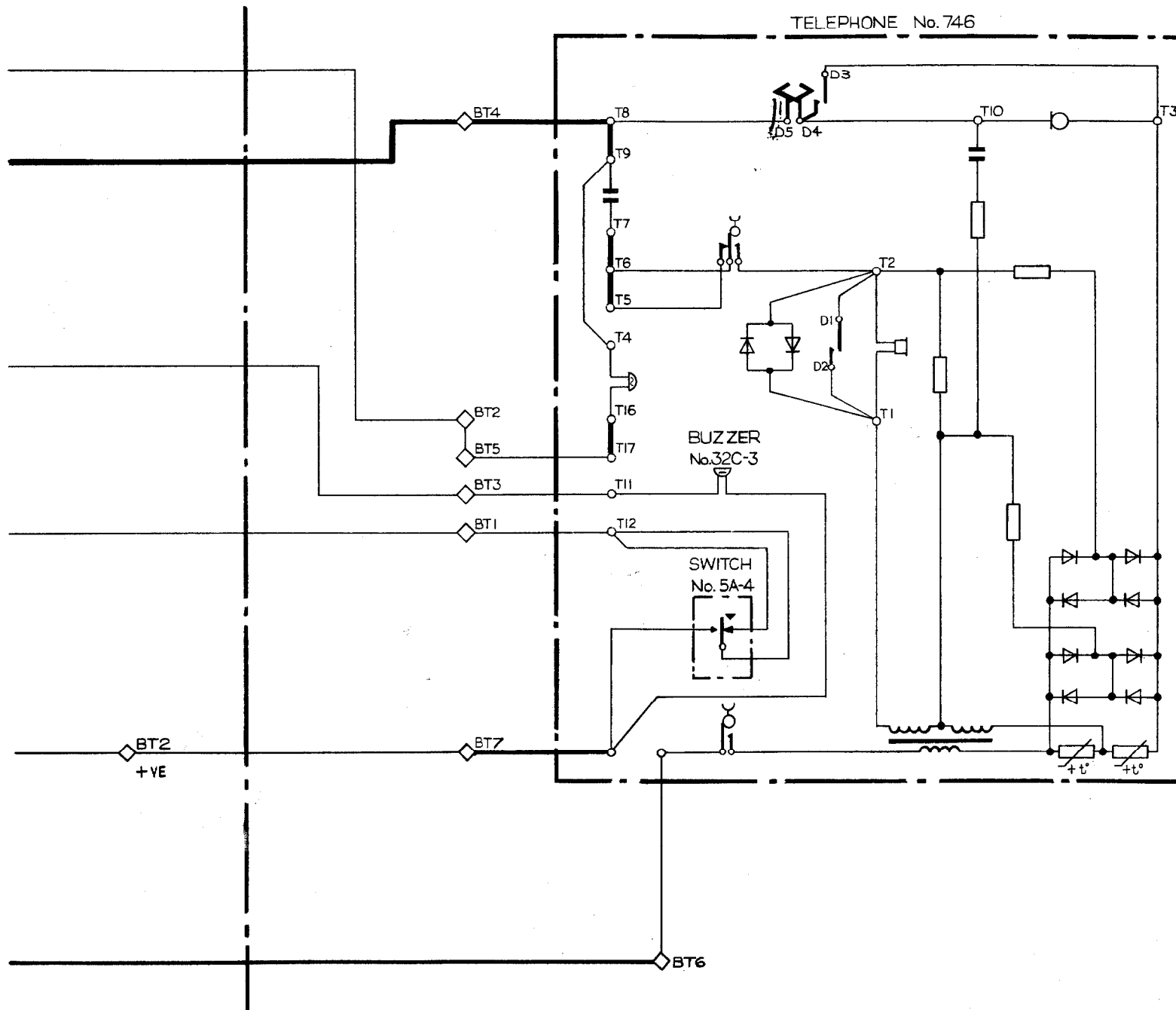
WIRING



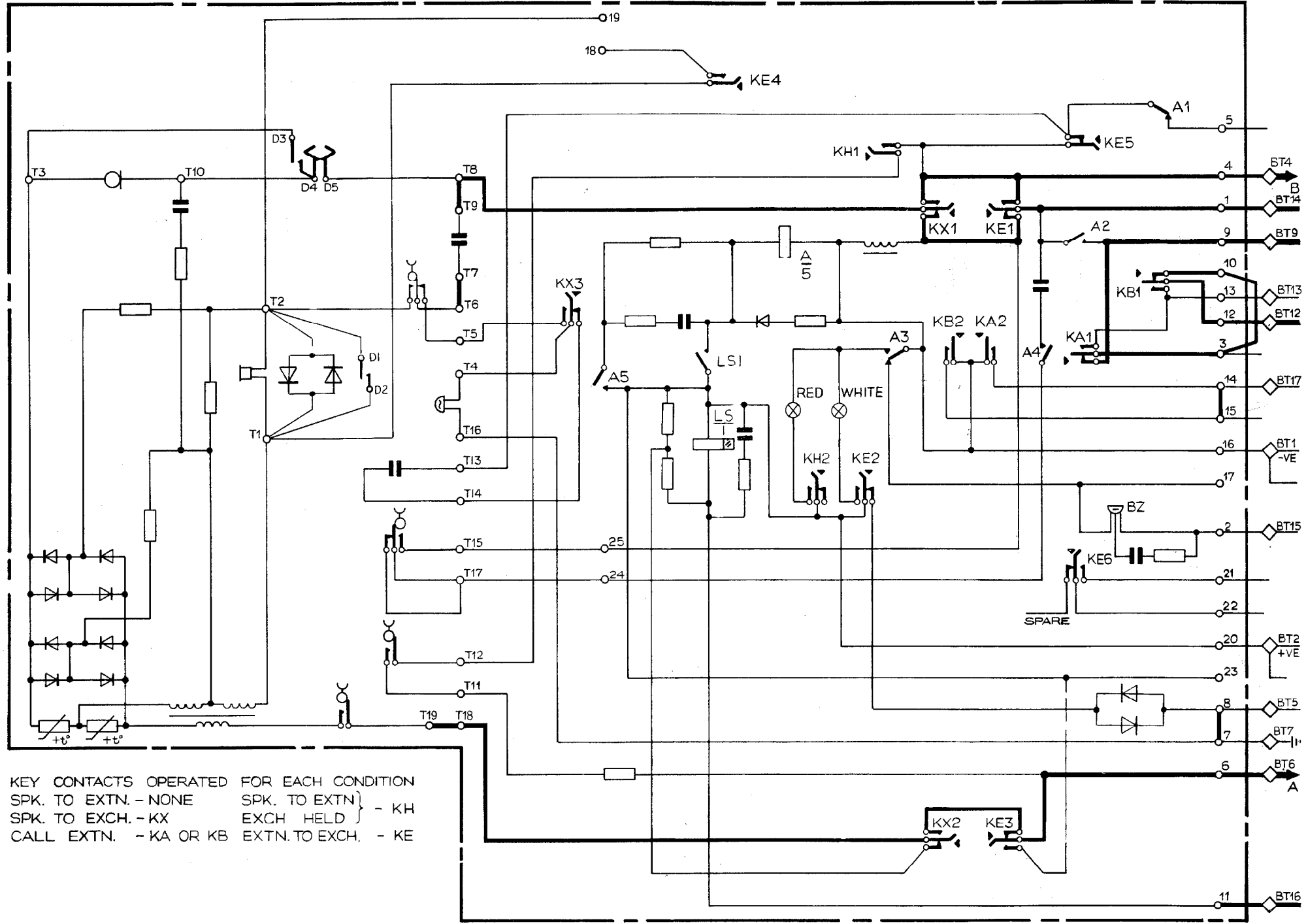
MAIN WITH INTERNAL EXTENSION
PLANPHONE A



INTERNAL EXTENSION
EXPLANATORY



MAIN WITH EXTERNAL EXTENSION
 PLANPHONE A



KEY CONTACTS OPERATED FOR EACH CONDITION

SPK. TO EXTN. - NONE	SPK. TO EXTN. } - KH
SPK. TO EXCH. - KX	EXCH. HELD } - KH
CALL EXTN. - KA OR KB	EXTN. TO EXCH. - KE

EXPLANATORY

EXTERNAL EXTENSION

