

AUTOMATIC SYSTEM

EXTENSION PLAN 2A (INTERNAL ONLY) USING TELEPHONE No.740

NOTES:—

1 The facilities of Plan 2A are show on Dgm NI448

2 APPARATUS REQUIRED:

- All Stations:—
 Telephone No.740 (Telephone No.710 not to be used in lieu)
 Switch Composite No.D93313
 Cord Inst.No.20/10AD
 Block Terminal No.37B or 45
 Part 5/DBU/372
 Part 6/DBU/372
 Part 7/DBU/372
 Part 9/DBU/372
 Part 1/DPI/203

} As required

3 Fit Parts 5,6,7 and 9/DBU/372 in Positions A,B,C and D respectively, as required. Latches A-D should be adjusted to Setting I, Latches X and Y to Setting 4. (See Dgm.N848).

4 Early issues of Telephone No.740 were not provided with Rectifier-Element No.205. Where omitted connect Rectifier-Element No.205 between Terminals T1 and T2.

5 Wire extension telephones as for main telephones e.g. Extension 5, wire as Main 5, but omit straps between T4-T7 and T16-T17.

6 The numbers marked on the press-buttons are for the guidance of the customer in relating the press-buttons to the exchange line numbers shown on the dial label. Assuming a 5 Exchange Line installation the arrangement of the Lines L1, L2, L3, L4 and L5 will be as follows:—

	BUTTONS	ALL BUTTONS NORMAL (Home Line)
	[1] [2] [3] [4]	
Main and Extension 1	L5 L2 L3 L4	L1
Main and Extension 2	L1 L5 L3 L4	L2
Main and Extension 3	L1 L2 L5 L4	L3
Main and Extension 4	L1 L2 L3 L5	L4
Main and Extension 5	L1 L2 L3 L4	L5

Assuming a 3 Exchange Line installation the arrangement of the Lines L1, L2 and L3 will be as follows:—

	BUTTONS	ALL BUTTONS NORMAL (Home Line)
	[1] [2] [3]	
Main and Extension 1	L2 L3	L1
Main and Extension 2	L1 L3	L2
Main and Extension 3	L1 L2	L3

Note that press-button allocations must be as shown to avoid re-location of existing lines when additional exchange lines are provided.

7 The standard dial label should be used and the numbers inserted in the following order, Home, 1,2,3 and 4. If it is not possible to put all the numbers on the label then only the Home number should be inserted.

8 Extension bells should be wired to the BT37B on which the exchange lines are terminated. Recover strap between terminals shown below and connect bell in lieu

- Line 1 : BT2-3
- Line 2 : BT6-7
- Line 3 : BT10-11
- Line 4 : BT14-15
- Line 5 : BT18-19

• If bell in an extension telephone is to be used as an extension bell, remove strap as described above and additionally in extension telephone
 Shift G-S lead of switch composite from T4 to T11
 Shift G-BN cord conductor from T4 to T11
 Shift G-W cord conductor from T17 to T4
 Strap Terminals T16-T17-T18
 Only one extension telephone may have the bell connected as an extension bell.

9 Straps between Terminals 2-3, 6-7, 10-11, 14-15 and 18-19 to be provided on the front of the terminal strap.

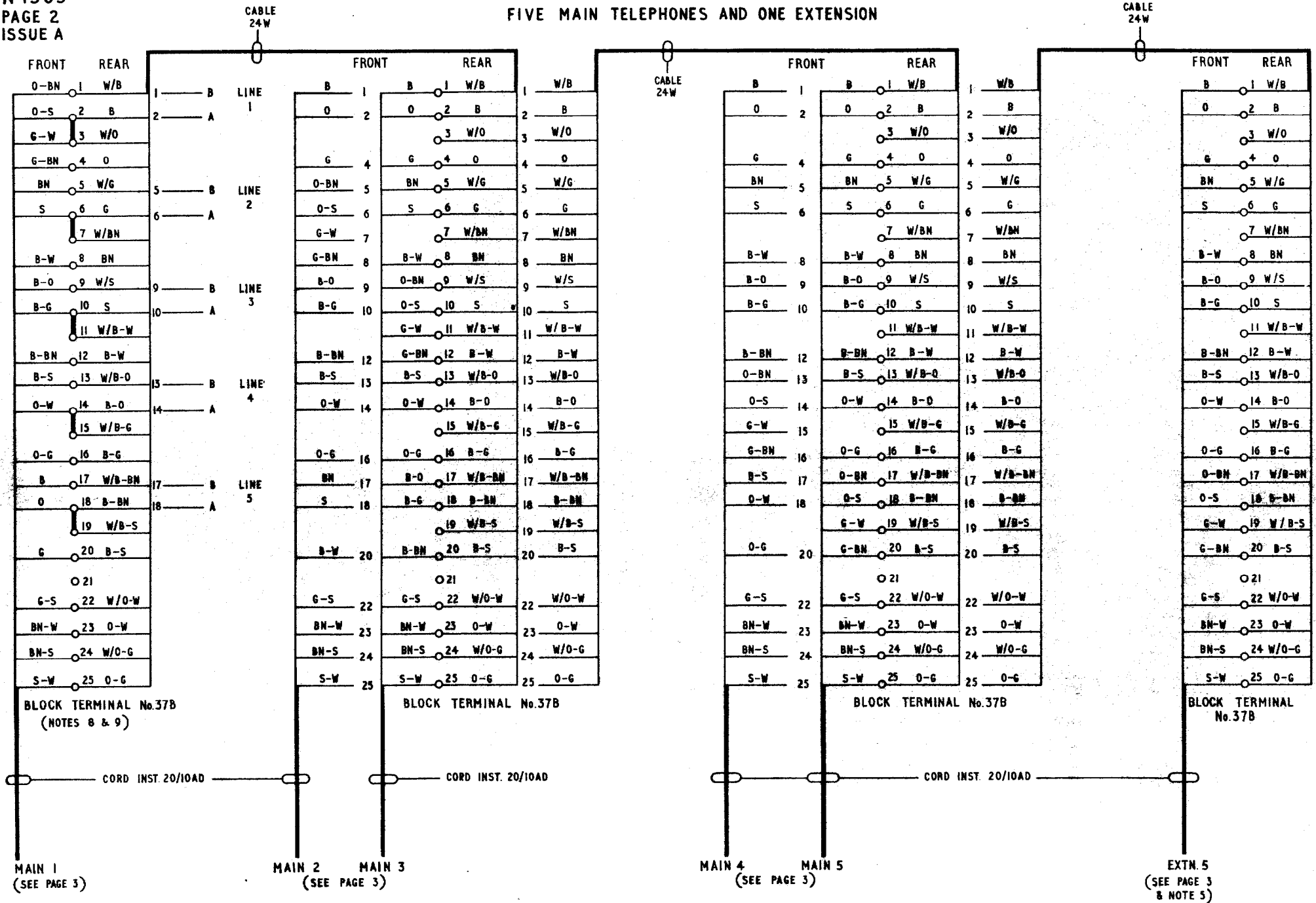
10 The internal connexions of all main instruments are identical.

11 Earth loop recall can be provided by using a Handset No.6A with a Cord Inst.No.6/60AX (Colour) 200mm and connected as follows:—

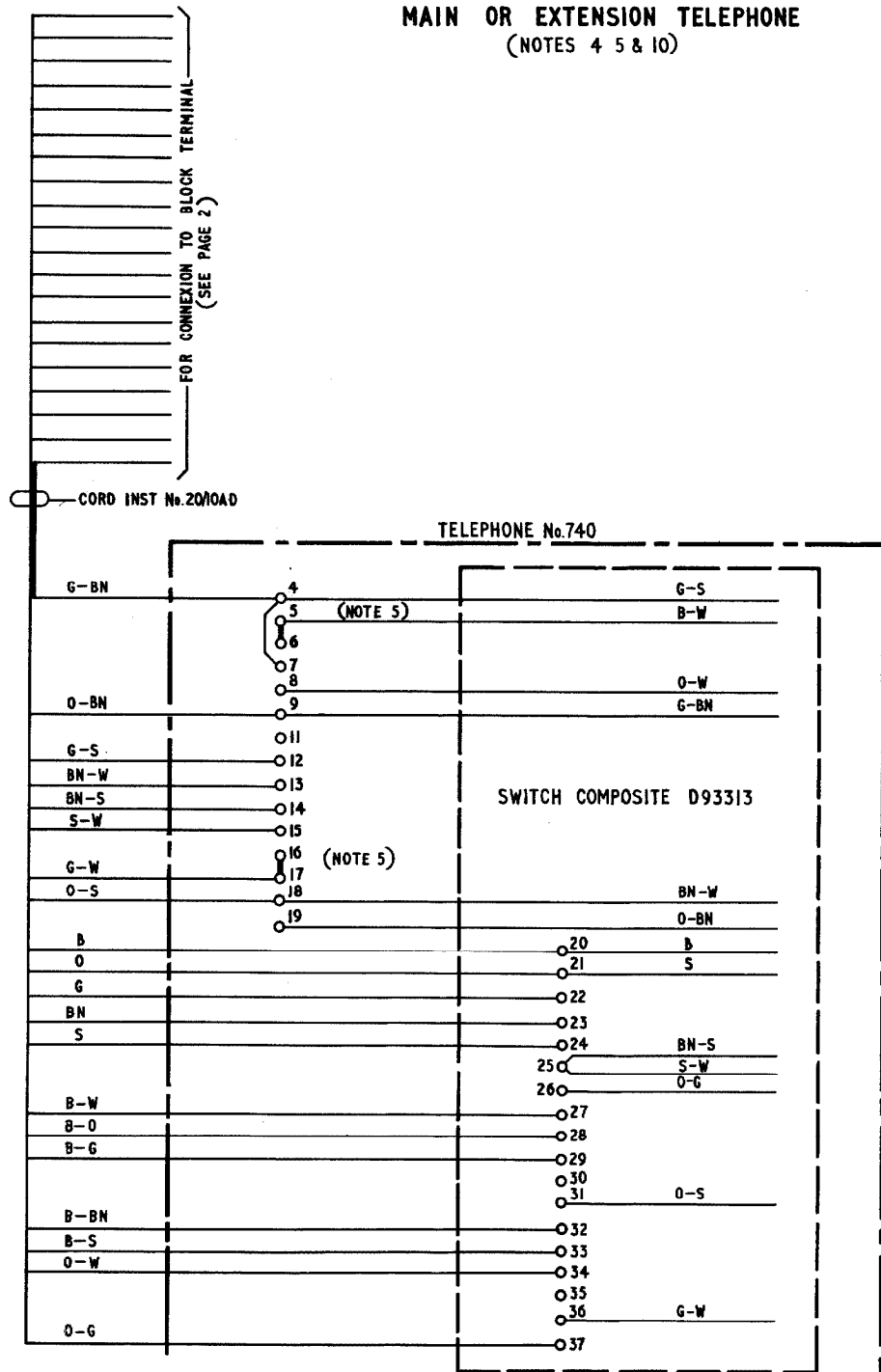
- T30 — Eth — Handset Terminal No.2.
- T8 ————— Handset Terminal No.3.

PD TELECOMMS HQRS PAPER:— W DISTN:— GENERAL	ISSUE		
		A NOTE 11 ADDED, NOTE 7 AMENDED MINOR AMENDMENTS. E.S. <i>AB</i> BLS TD7-1-3	4-7-79
		TD 2-3-1	23-11-73

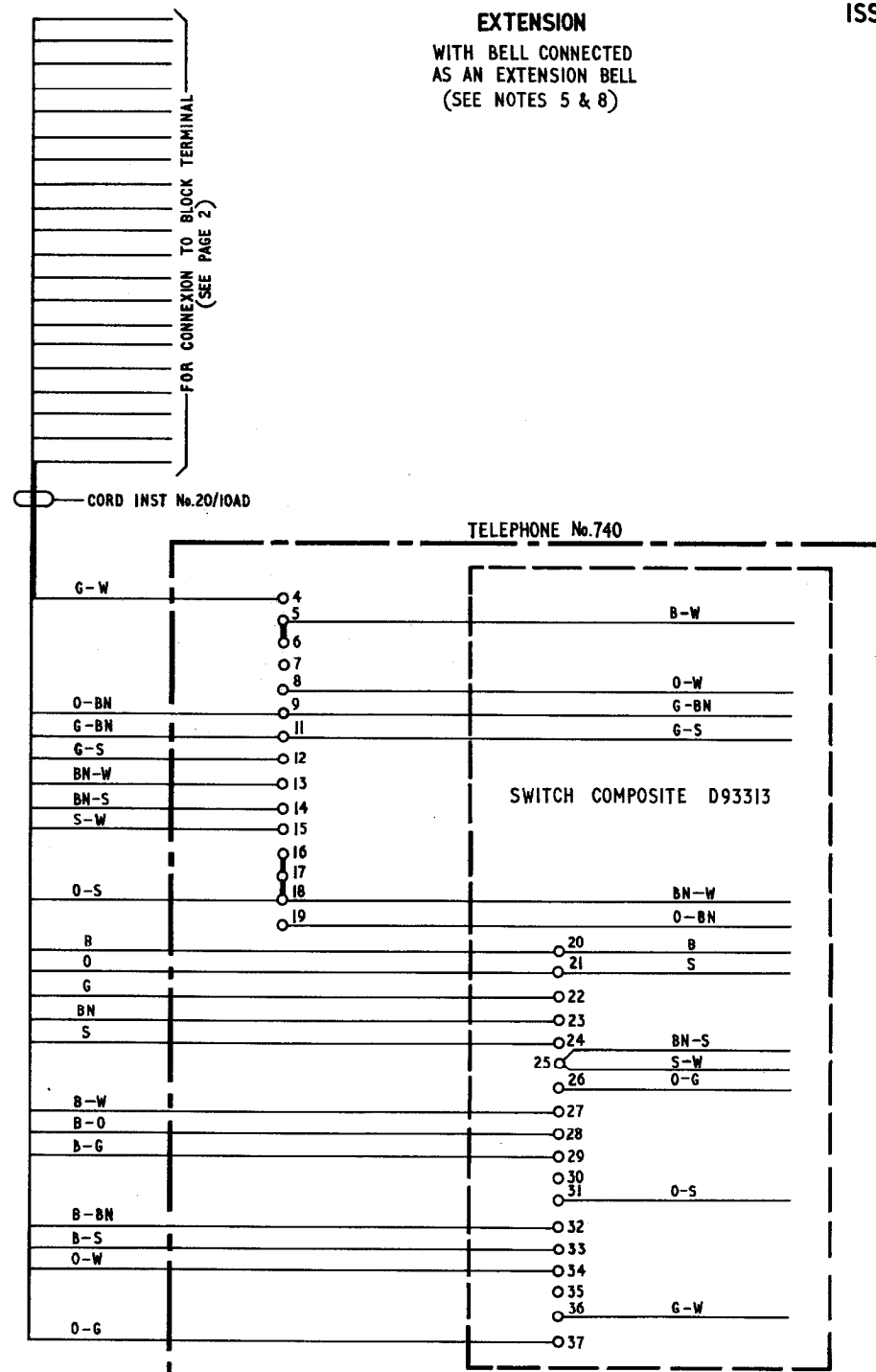
WIRING DIAGRAM
FIVE MAIN TELEPHONES AND ONE EXTENSION



MAIN OR EXTENSION TELEPHONE
(NOTES 4 5 & 10)

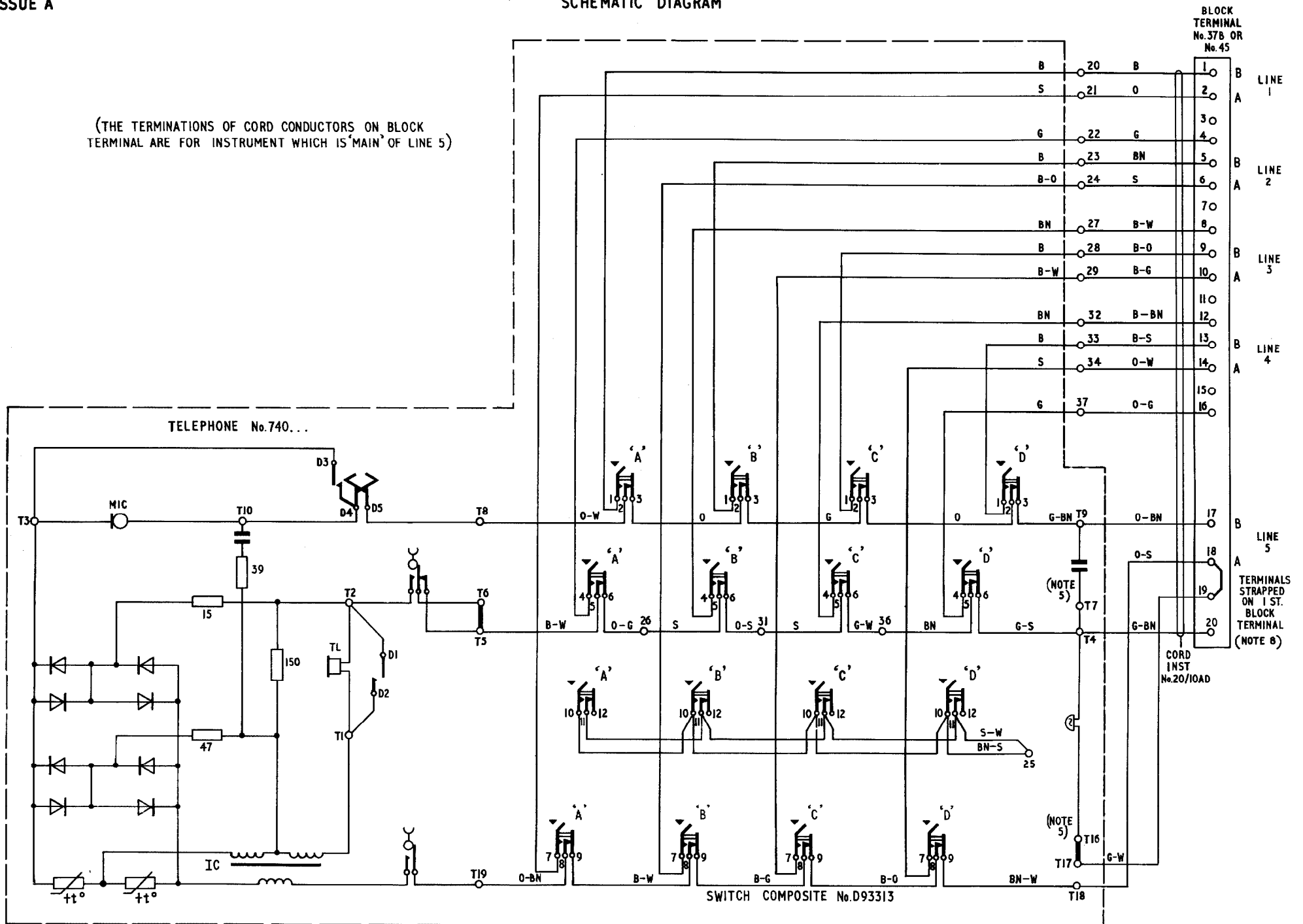


EXTENSION
WITH BELL CONNECTED
AS AN EXTENSION BELL
(SEE NOTES 5 & 8)

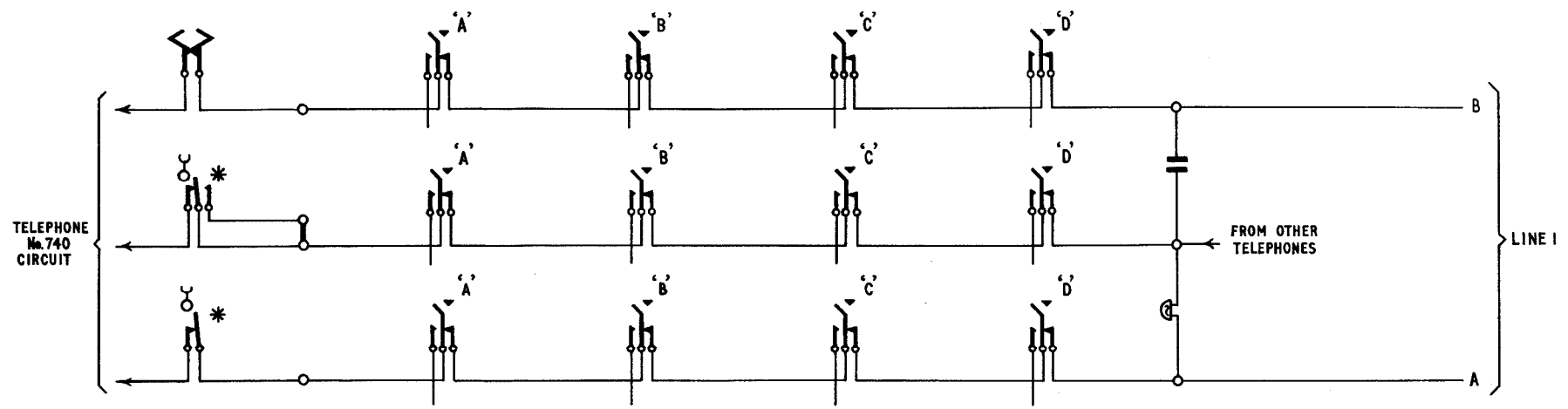


MAIN AND EXTENSION TELEPHONES
SCHEMATIC DIAGRAM

(THE TERMINATIONS OF CORD CONDUCTORS ON BLOCK TERMINAL ARE FOR INSTRUMENT WHICH IS 'MAIN' OF LINE 5)



EXPLANATORY DIAGRAM
MAIN 1 ENGAGING HOME LINE (ALL BUTTONS NORMAL)



MAIN 1 ENGAGING LINE 5 (BUTTON IN POSITION 'A' OPERATED)

