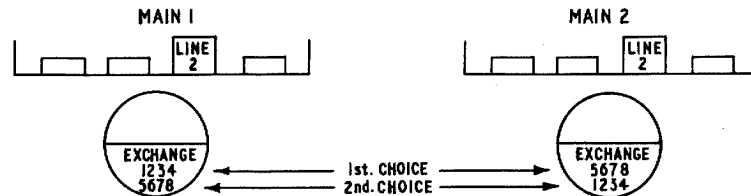


# AUTOMATIC SYSTEMS

## EXTENSION PLAN 2 USING TELEPHONE No.740...

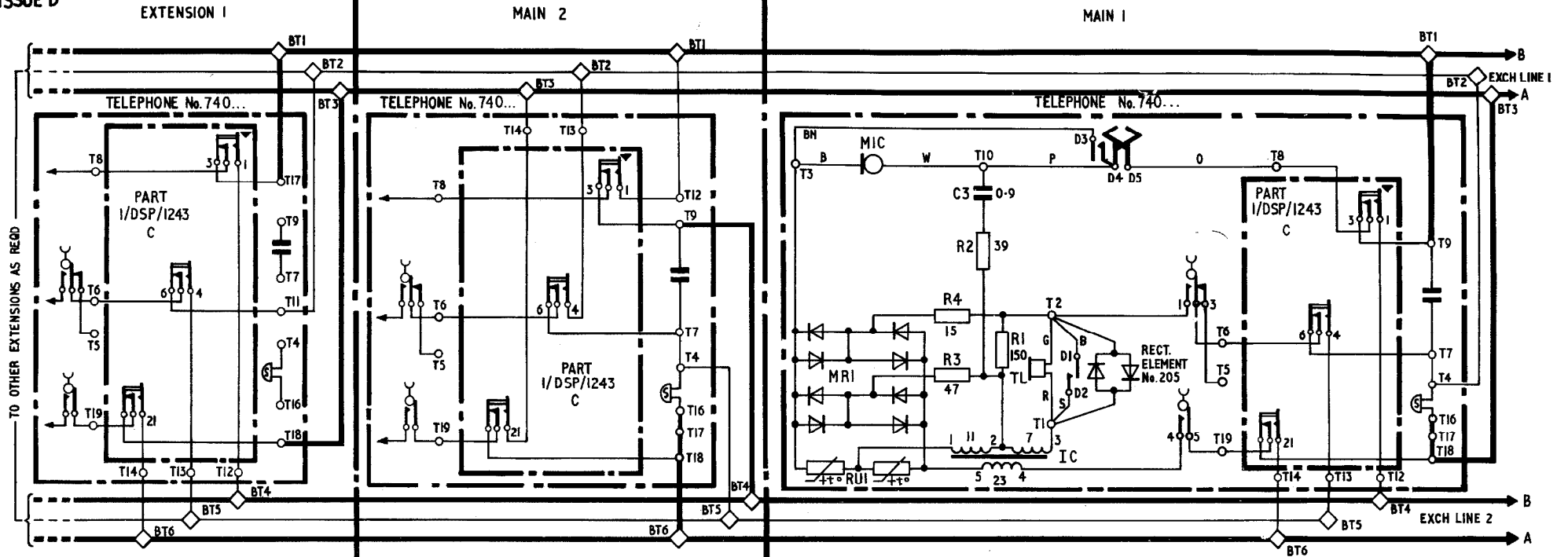
**NOTES:—**

- 1 The facilities of Plan 2 are shown on Dgm. N1435
- 2 APPARATUS REQUIRED:— (Notes 3 & 11)  
 ALL STATIONS:—  
 Telephone No.740  
 Part 1/DSP/1243  
 Part 6/DBU/372  
 Cord Instrument No.6/61AT  
 IN ADDITION AT MAINS  
 Block Terminal No.36B  
 IN ADDITION AT EXTENSIONS  
 Block Terminal No.35A
- 3 When Telephone No.710 is provided in lieu of No.740, fit Clip No.90 and Capacitor No.7712-2, connect leads to Terminals T17 and T11. Wiring shown connected to T9 and T7 should be connected instead to T17 and T11 respectively. Provide and connect a Rectifier Element No.205 between Telephone Terminals T1 and T2. Remove straps between T16-17-18, strap T16 to T18
- 4 Fit Part 6/DBU/372 with Part 1/DSP/1243 in Position C. The Latch (C) should be adjusted to Setting 1. X & Y Latches should be at Setting 4. (See Dgm.N848)
- 5 Extensions are similar to the corresponding Main but have the bell disconnected. Extensions may be connected in any order but as nearly as possible half the number of instruments should have the first exchange pair connected as first choice (that is with the key normal) shown as Extension (1) on the dgm. The others should have the second exchange pair as first choice and this Extension (2) arrangement is not shown on the dgm. It should be wired and strapped similarly to Extension (1) but with the cord instrument connected to the block terminal as shown for Main (2)
- 6 Note that 'Line 2' on the buttons is for subscribers guidance. It does not refer to the particular exchange pair connected but indicates that by pressing the button the second choice line is obtained.
- 7 The exchange lines may be connected to BT 1 & 3 and BT 4 & 6 at Main 2, or any extension, if more convenient. Correct polarity of lines is necessary
- 8 The exchange line numbers should be inserted on the dial centre label one above the other thus:—

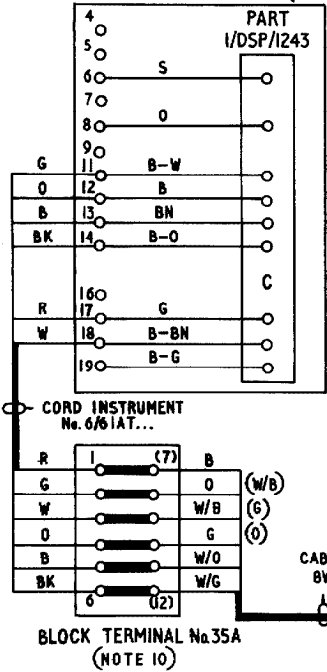


- 9 EXTENSION BELLS when required from either Main 1 or Main 2 :—
  - (a) fit Cord, Instrument No.9/21AD instead of No.6/61AT
  - (b) omit Strap T16-T17-T18 and connect  
 T16 to BT 8 (BN)  
 T18 to BT 11 (S)  
 the G-R conductor will be spare
  - (c) cable extension bell to BT 8 & 11
  - (d) if bell in Extension telephone is to be used as extension bell, at the Extension recover Cord Inst No.6/61AT and Block Terminal No.35A. Provide Cord Inst No.9/21AD and Block Terminal No.36B. Connect additional BN and S Conductors to T4-BT 8 and T16-BT 11. Extend BT 8 and BT 11 at Main to BT 8 and BT 11 at Extension
- 10 Earlier installations were connected with wire colours shown in brackets. To avoid overhearing difficulties this earlier arrangement should not be used
- 11 See Dgm.N4700 for add-on items when alternative telephones are used

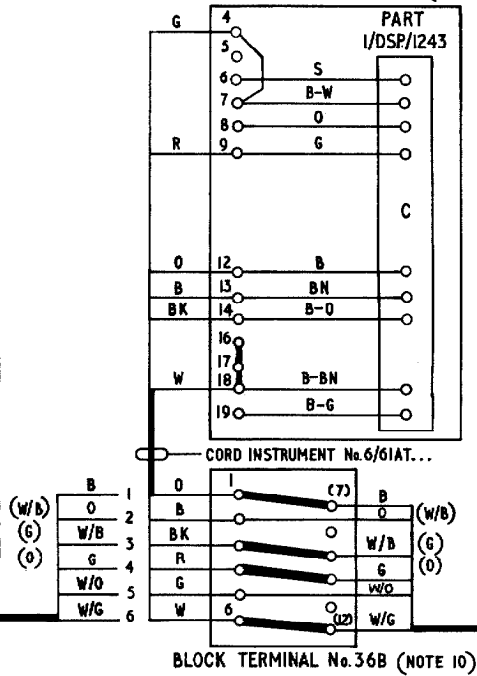
PO TELECOMMS HQRS  PAPER:— W  DISTN: CB & AUTO	ISSUES			
		D	NEW FORMAT, NOTES 10 & 11 ADDED. TELEPHONES WERE No.710 <del>TD</del> TD 2-3-1	17-1-74
		C	REVISED FORM	25-10-65
			K.M.A. F.E.I.T.	30-8-61



TELEPHONE No.740..(NOTE 3)



TELEPHONE No.740..(NOTE 3)



TELEPHONE No.740..(NOTE 3)

