

C.B. & AUTOMATIC SYSTEMS

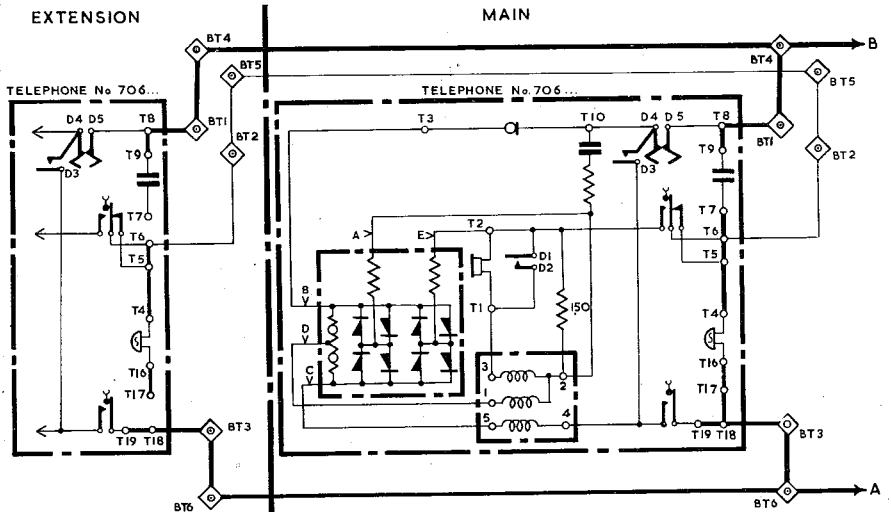
EXTENSION PLAN 1B (INTERNAL ONLY)

USING TELEPHONE No. 706...

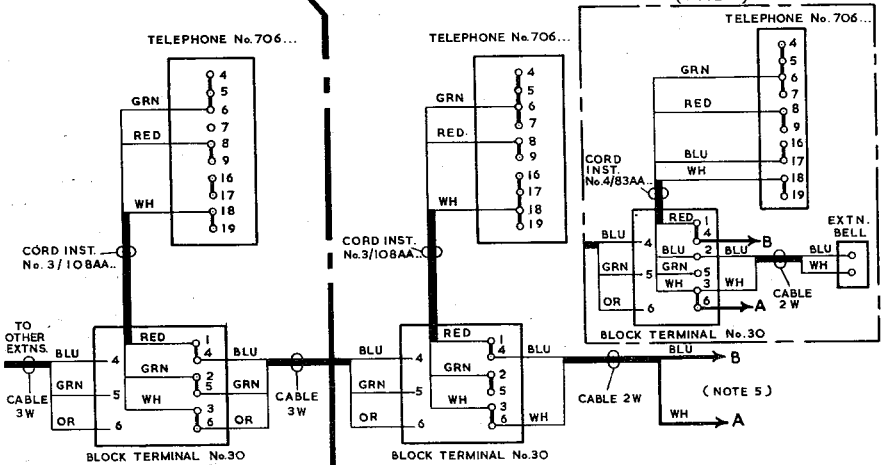
N4503
PAGE 1-2
ISSUE B

NOTES:-

1. THE FACILITIES OF PLAN 1B ARE SHOWN ON DGM.N1436
PLAN 1A SHOULD BE PROVIDED FOR NEW WORK.
2. A TELEPHONE No. 706... IS REQUIRED AT THE MAIN
AND EACH EXTN.
3. REARRANGE STRAPS ON BLOCKS TERMINAL No. 30 AND
TELEPHONES No. 706... AS SHOWN.
4. WHEN AN EXTN. BELL IS REQUIRED RECOVER CORD INST.
No. 3/108AA... FROM TELEPHONE No. 706... AT MAIN AND
FIT CORD INST. No. 4/83AA... AS SHOWN
5. THE EXCH. LINE MAY BE CONNECTED TO BLOCK TERMINAL
AT EXTN IF MORE CONVENIENT



CONNECTIONS WHEN EXTN BELL REQD. (NOTE 4)



ISSUES			P.O.E.D. S. BCH.
			PAPER: Y
	B	REVISED FORM. TITLE AMENDED. <i>MSM</i>	19-11-65
	A	NOTE 1 AMENDED. MADE YELLOW. K.M.A.	20-12-62
-	J.H.C.	27-2-59	CIRCULATION: CB & AUTO