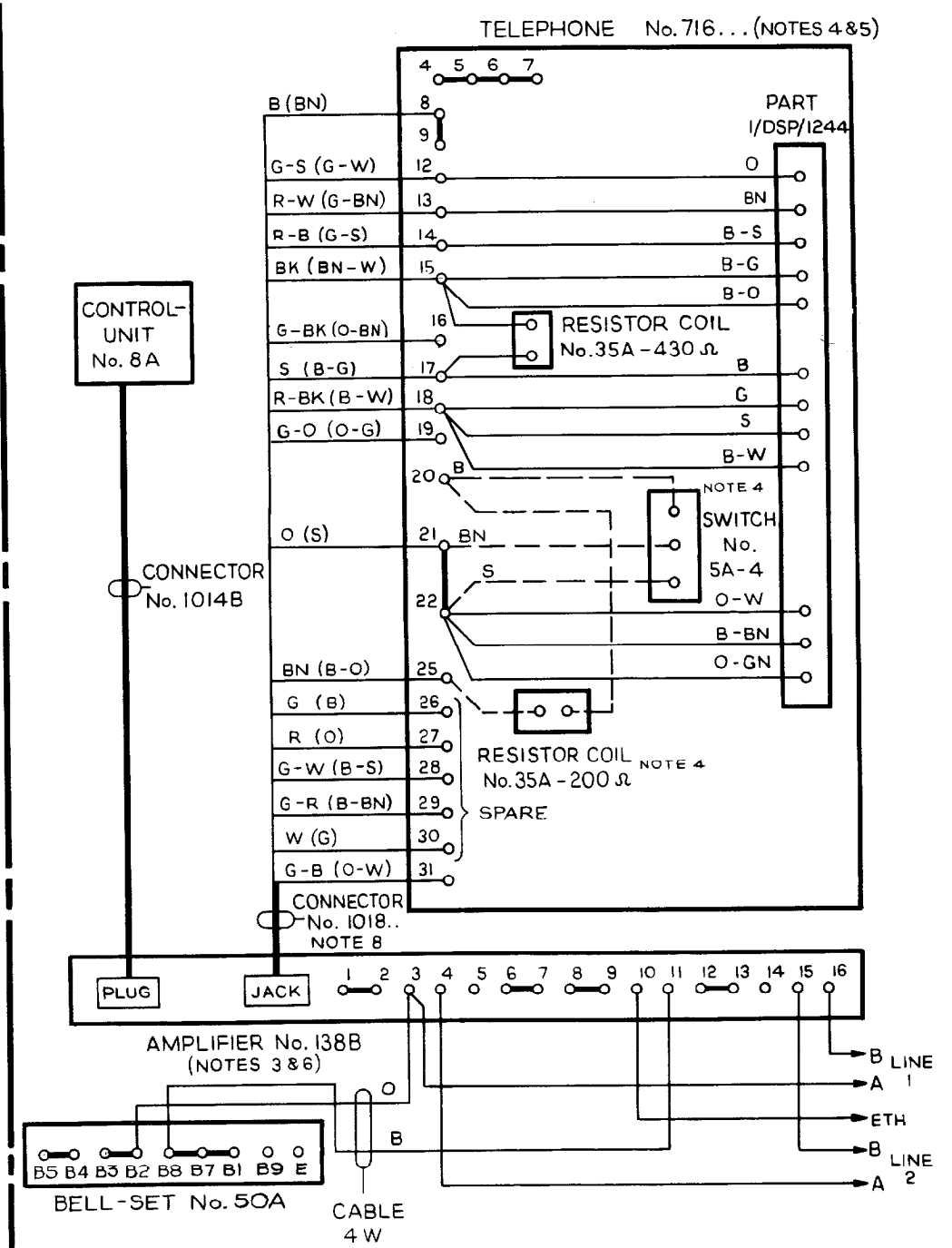


CB & AUTOMATIC SYSTEMS
SUBSCRIBERS EXTENSION PLAN 9. (INTERNAL OR EXTERNAL) ON PMBX'S WITH OR WITHOUT RECALL,
USING LOUDSPEAKING TELEPHONE No. 1A MK I

NOTES:-

1. THE FACILITIES OF PLAN 9 ARE SHOWN ON DGM N1432, BUT WHEN A LOUDSPEAKING TELEPHONE No. 1A IS USED SWITCH-HOOK RESTORATION OF THE PRESS BUTTONS IS NOT PROVIDED.
2. APPARATUS REQUIRED:-
 TELEPHONE No. 716... WITH CONNECTOR No. 1018...
 CONTROL-UNIT No. 8A... WITH CONNECTOR No. 1014B
 AMPLIFIER No. 138B PART 36/DBU/260
 PART 1/DSP/1244 PART 34/DBU/260
 PART 2/DST/836 RESISTOR COIL No. 35A-430 Ω
 PART 1/DLI/26 PART 1/DST/26
 BELL-SET No. 50A
3. SEE T1 C3 B2001 FOR INSTALLATION ADJUSTMENT.
4. IF RECALL IS REQUIRED, PROVIDE AN ADDITIONAL SWITCH No. 5A-4, PART 8/DBU/260 AND RESISTOR COIL No. 35A-200 Ω. IF EXCHANGE SIGNALLING DIFFICULTIES ARE EXPERIENCED THE RESISTOR COIL MAY BE OMITTED AND T20-25 STRAPPED.
5. IN THE TELEPHONE No. 716... FIT PART 1/DSP/1244. PART 36/DBU/260 (ENQUIRY) IN POSITION A. THE LATCH BRACKET SHOULD BE AT SETTING 1. (SEE DGM N848). FIT PART 1/DST/26 AND PART 34/DBU/260 (NORMAL) IN POSITION B. THE LATCH BRACKET SHOULD BE AT SETTING 5. REARRANGE STRAPS AND CONNECTOR No. 1018... TERMINATIONS, FIT RESISTOR COIL No. 35A-430 Ω & PART 1/DST/836 ON THE RIGHT HAND SIDE OF THE SWITCH HOOK BRACKET. IF 'EARTH LOOP' RECALL IS REQUIRED, FIT SWITCH No. 5A-4 AND PART 8/DBU/260 IN POSITION D AND RESISTOR COIL No. 35A-200 Ω. THE LATCH BRACKET, SHOULD BE AT POSITION 3. IF 'ONE LINE EARTHED LOOP DISCONNECTED' RECALL IS REQUIRED, OMIT STRAP T21 -T22
6. IF AN EXTENSION BELL IS REQUIRED CONNECT IN PLACE OF STRAP A6-A7.
7. ON PMBX'S EMPLOYING THE "FOUR WIRE PRINCIPLE" CONNECT AS FOR EXTERNAL EXTENSION ON BOTH LINE 1 AND LINE 2.
8. THE COLOURS ARE THOSE FOR CONNECTOR No. 1018D. THE COLOURS SHOWN IN BRACKETS APPLY TO CONNECTOR No. 1018A



PO TELECOMMS HQRS PAPER:- R DISTN:- NIL	ISSUE		
	A	NEW FORMAT. MINOR AMENDMENTS. TDT:1-2 P 78	12.1.76
		H. THWAITTS.	25.2.63

