

CB & AUTO SYSTEMS
SUBSCRIBERS EXTENSION PLAN 1A (INTERNAL ONLY)
USING LOUDSPEAKING TELEPHONE No.1 & TELEPHONE No.746

N4486
PAGE 1-4
ISSUE B

NOTES:—

1. The facilities of Plan 1A are shown on Dgm N1425.
2. Only one Loudspeaking telephone may be provided on a Plan 1A installation.
3. The diagrams given herein should be substituted in the appropriate position of Dgm N4502.
4. Whenever a Loudspeaking Telephone No. 1 is fitted at any Extension, remove strap T6-T7 in the Telephone No. 746 at the Main.
5. APPARATUS REQUIRED (Alternative to that shown on Dgm N4502)

10. The colours shown are for Connector 1018D. The colours shown in brackets apply to Connector 1018A.

MAIN

Telephone No. 708... with
Connector 1018... note 10
Control-Unit No. 8A... with
Connector 1014B
Amplifier No. 138B
Block Terminal No. 35A

EXTENSION

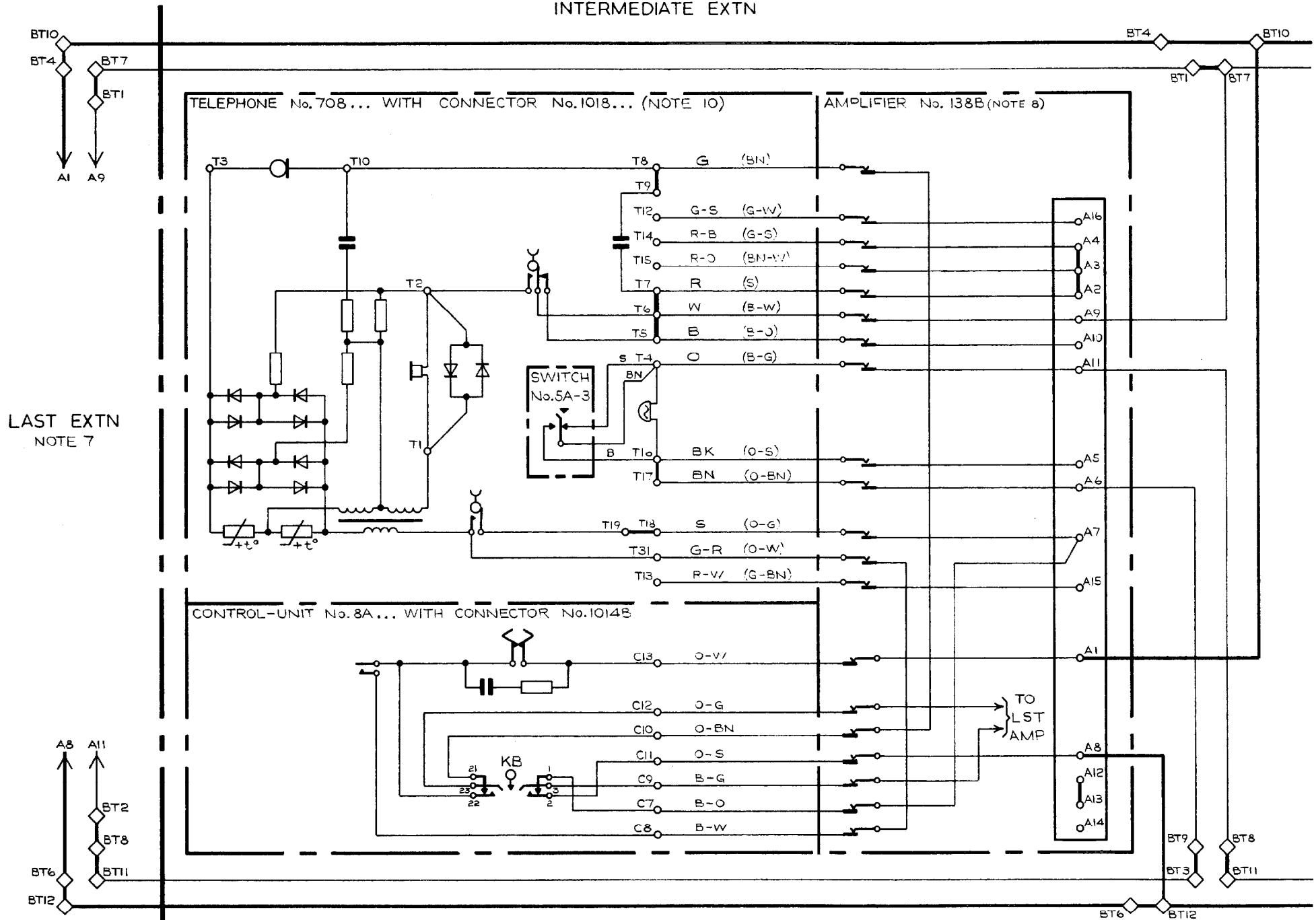
Telephone No. 708... with
Connector 1018...
Control-Unit No. 8A... with
Connector 1014B
Amplifier No. 138B
Switch No. 5A-3
Part 3/DBU/264
Block Terminal No. 35A

6. When an extension bell is required, connect in place of strap BT8-BT11 at Main or Extension as required.
7. The Last Extension is similar to the Intermediate Extension but add Strap T17-T18 and omit wiring A6-BT9.
8. See T1 C3 B2001 for installation of Loudspeaking Telephone.
9. This diagram may be used to connect Loudspeaking Telephone No. 1 Mk I which uses Amplifier No. 138A in place of Amplifier No. 138B and Telephone No. 708... with Connector 1014C in place of Telephone No. 708... with Connector 1018... The G-W, G-BN, G-S and BN-W conductors in the Connector 1014C and Terminals 15 and 16 in the Amplifier No. 138A are omitted.

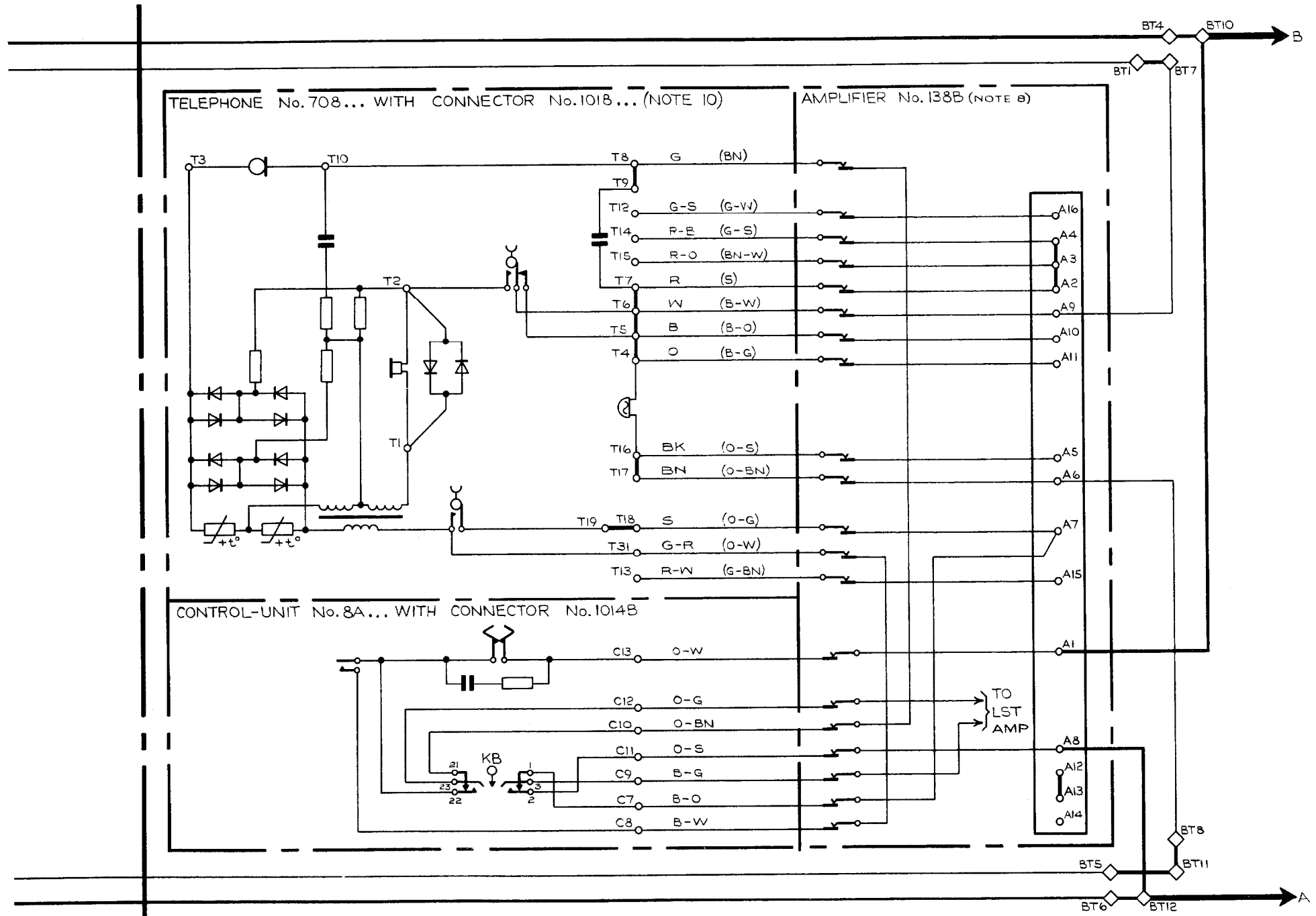
PO TELECOMMS HQRS PAPER:- W DISTN:- CB & AUTO	ISSUE	B	CORD COLOURS AMENDED. E.M.S. <i>DR</i> D.I.F.	3.11.78
	A	NEW FORMAT. TELE NO. 746 ADDED. NOTES REVISED <i>PJB</i> TD7.1.2	15.3.76	
		H THWAITE S3/3	24.10.62	

EXPLANATORY

INTERMEDIATE EXTN

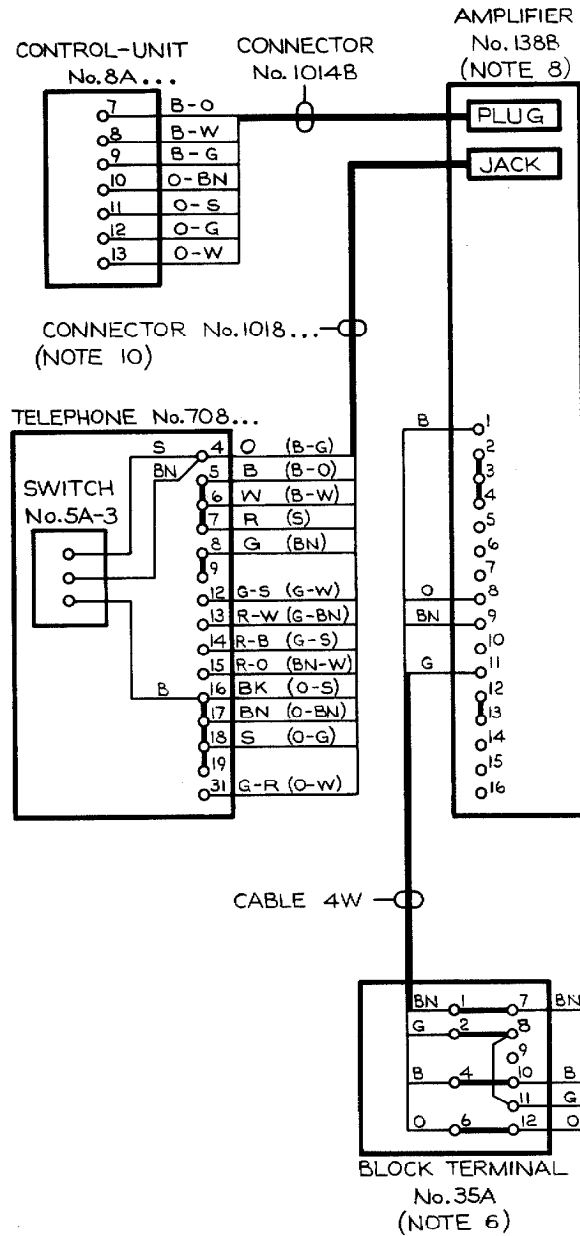


MAIN

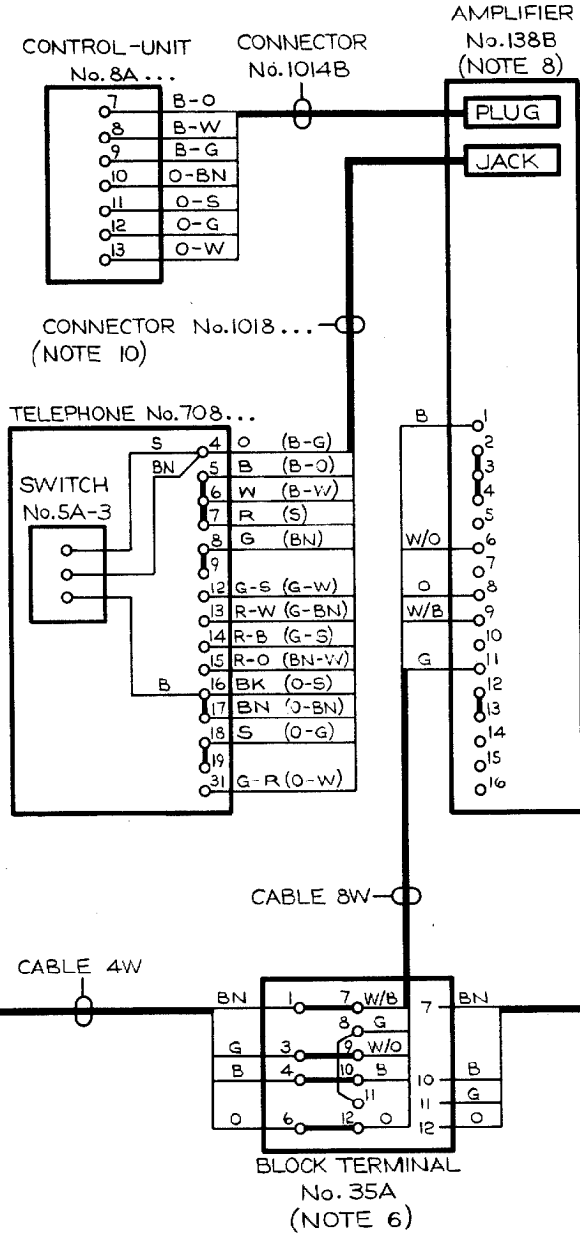


WIRING

LAST EXTN
(NOTES 3 & 4)



INTERMEDIATE EXTN
(NOTES 3 & 4)



MAIN
(NOTE 3)

