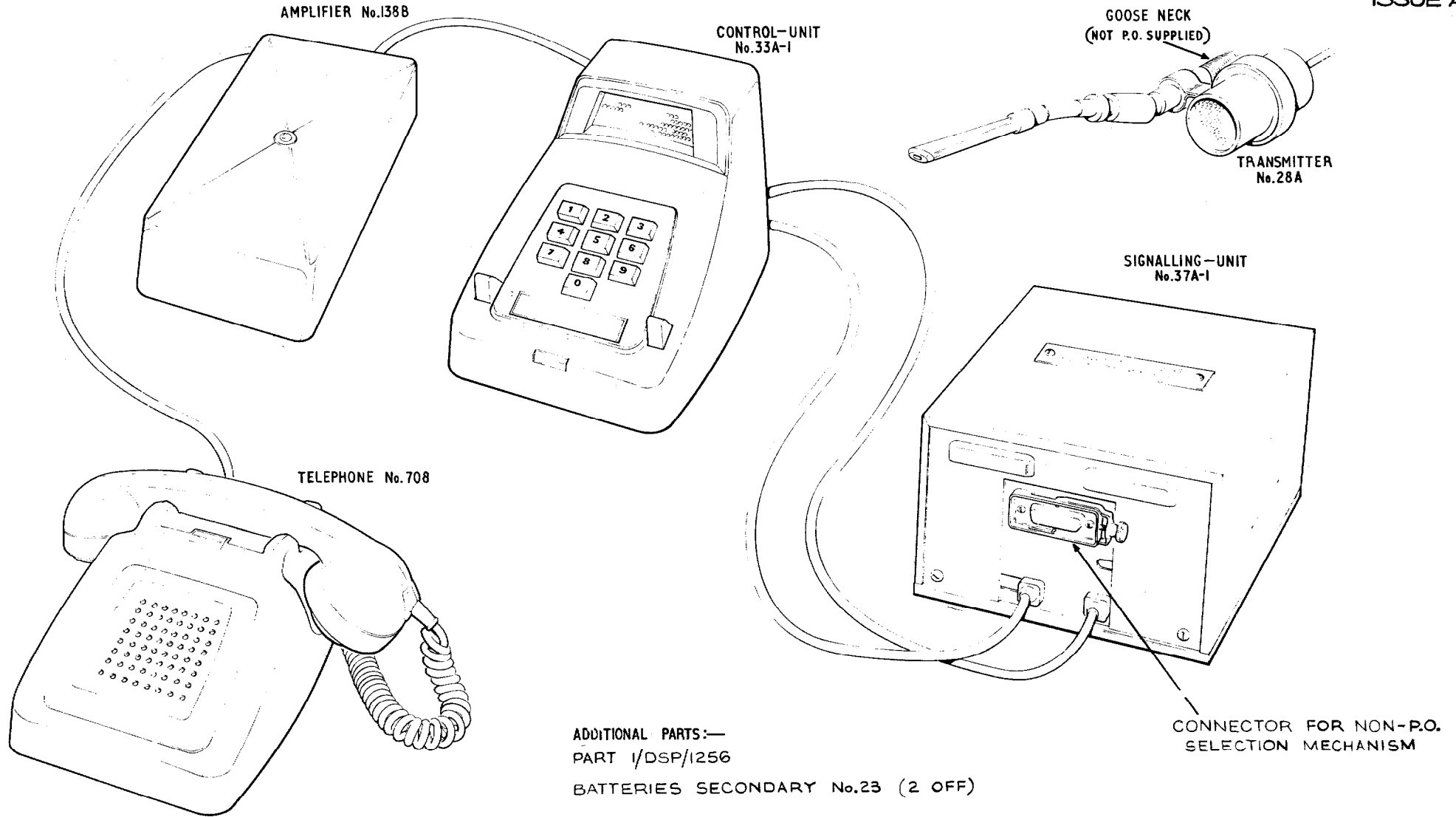


LOUDSPEAKING TELEPHONE No.7A

N4478
PAGE 1-6
ISSUE A



ADDITIONAL PARTS:—
PART 1/DSP/1256
BATTERIES SECONDARY No.23 (2 OFF)

CONNECTOR FOR NON-P.O. SELECTION MECHANISM

REFERENCES :
INSTALLATION TI C3B 2006
MAINTENANCE TI E5B 2808

ALWAYS SWITCH OFF THE MAINS SUPPLY BEFORE REMOVING THE SIGNALLING-UNIT COVER

PO TELECOMMS HQRS PAPER — R DISTN — RESTRICTED	ISSUE		
	A	COLOURS OF CONNECTOR No.1018D CHANGED.	27.10.78
		<i>M.R. D.F.</i> <i>mHansen TD 7.1.2</i>	30-1-78

NOTES:—

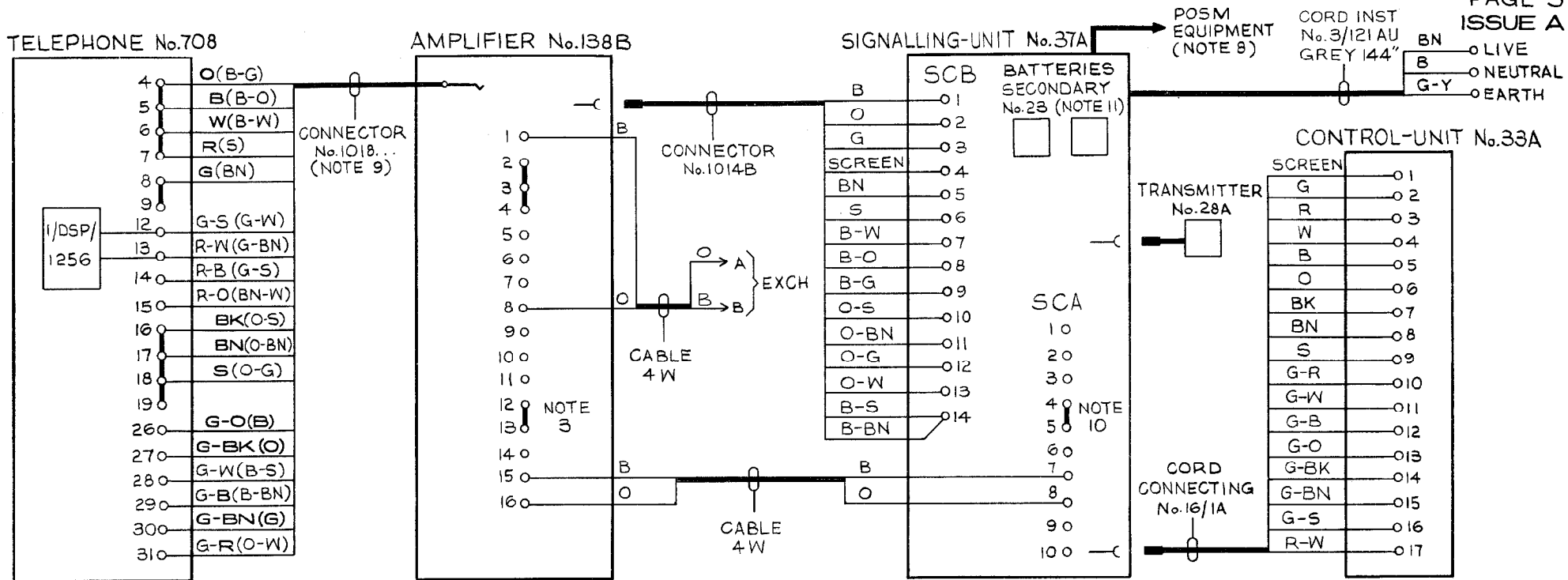
- 1 THE LST No.7A SHOULD BE INSTALLED IN ACCORDANCE WITH THIS DIAGRAM AND TI C3 B2001.
- 2 THE LINE CURRENT SHOULD BE AT LEAST 30 mA FOR SATISFACTORY OPERATION. UNDER NO CONDITION SHOULD LINE CURRENT OR EARTH CURRENT THROUGH THE AMPLIFIER EXCEED 90 mA. SEE TI C3 B2001.
- 3 THE LONG LINE/SHORT LINE STRAP (A12-A13) IS IN THE SHORT LINE POSITION. WHERE THE LOOP RESISTANCE OF THE LINE EXCEEDS 500 Ω REPLACE THE STRAP BETWEEN A13-A14.
- 4 WHEN AN EXTENSION BELL IS REQUIRED CONNECT IT BETWEEN A5-A6 AND REMOVE STRAP T16-T17. FOR SHARED SERVICE CONNECT IT BETWEEN A10-A11 AND REMOVE STRAP T4-T5 IN TELEPHONE No.708.
- 5 CV8805 TO BE FITTED IN UAX AREAS WITH VIBRATOR RINGING.
- 6 A 200 Ω RESISTOR IS FITTED TO RESTRICT THE CURRENT THROUGH THE LST WHEN CALLING THE EXCHANGE. IF DIFFICULTIES ARISE WHEN CALLING THE EXCHANGE, THIS RESISTOR CAN BE REMOVED BY SHIFTING THE BN ON SCB14 (IN THE SIGNALLING UNIT) TO SCB5 AND THE B-S AND B-BN WIRES FROM SCB5 TO SCB14. FOR FURTHER DETAILS SEE TI C3 B2001.
- 7 TERMINATION OF THE CORD INST. No.4/97AD TO THE TERMINAL STRIP IN THE AMPLIFIER No.138B SHOULD BE CARRIED OUT BY CUTTING OFF THE TAGS, STRIPPING BACK THE INSULATION OF THE CONDUCTORS TO A SUITABLE LENGTH AND WRAPPING THE BARE CONDUCTOR UNDER THE SCREW TERMINAL.
- 8 THE CONNECTOR BETWEEN THE SIGNALLING UNIT No.37A AND THE NON-PO SUPPLIED SELECTION MECHANISM, SHOULD BE AVAILABLE AT THE CUSTOMERS PREMISES.

- 9 THE COLOURS SHOWN ARE THOSE FOR CONNECTOR No.1018D. THE COLOURS SHOWN IN BRACKETS ARE FOR CONNECTOR No.1018A.
- 10 WHEN TRANSMITTER No.28A IS NOT REQUIRED OR IS REMOVED FOR MAINTENANCE REASONS, THE STRAP BETWEEN SCA4 AND SCA5 SHOULD BE PLACED BETWEEN SCA5 AND SCA6. WHEN TRANSMITTER No.28A IS REPLACED ENSURE THE STRAP IS RETURNED TO SCA4-5.
- 11 PLUGS ARE PROVIDED AT THE SIGNALLING UNIT FOR CONNEXION TO THE BATTERIES SECONDARY No.23. THE ORDER OF CONNEXION IS NOT IMPORTANT. BOTH BATTERIES MUST BE CONNECTED BEFORE THE MAINS SUPPLY IS SWITCHED ON.

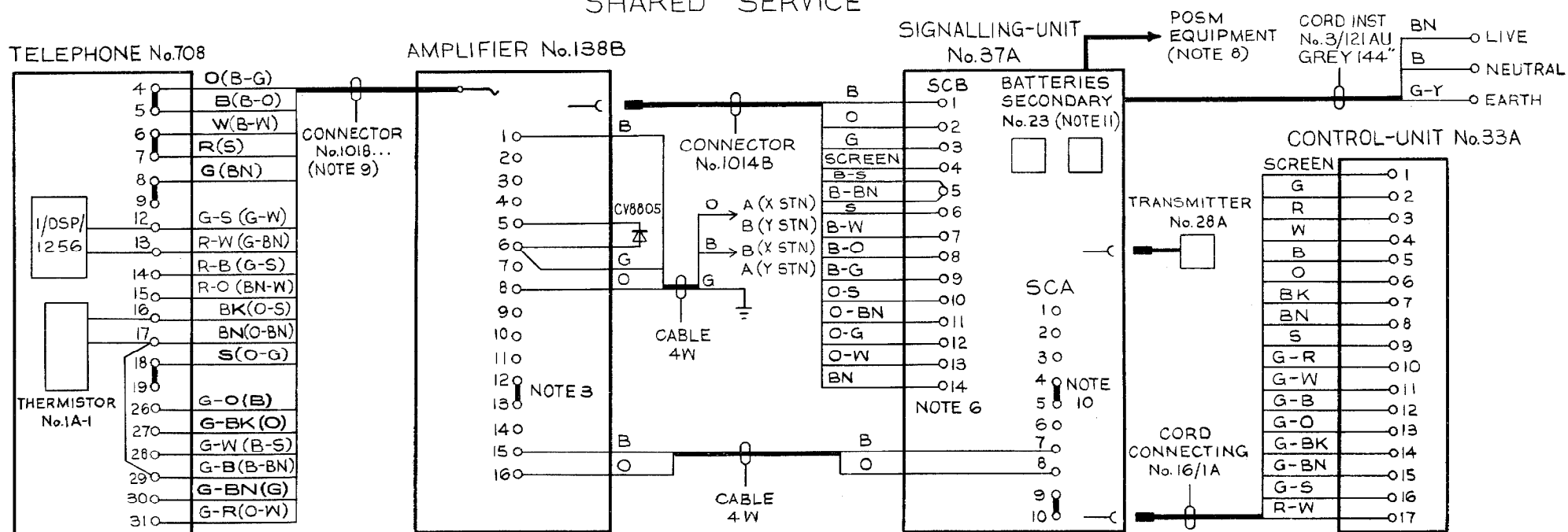
OTHER REFERENCES

CONTROL-UNIT No.33A	DGM. N4460
EXTENSION PLAN 1A	DGM. N4502
EXTENSION PLAN 1A SHARED SERVICE	DGM. N4522
EXTENSION PLAN 4	DGM. N4506
EXTENSION PLAN 4 SHARED SERVICE	DGM. N4526
EXTENSION PLAN No.107.	DGM. N4509
TELEPHONE No.708	DGM. N4451
LOUDSPEAKING TELEPHONE NO.1.	TI C3 B2001

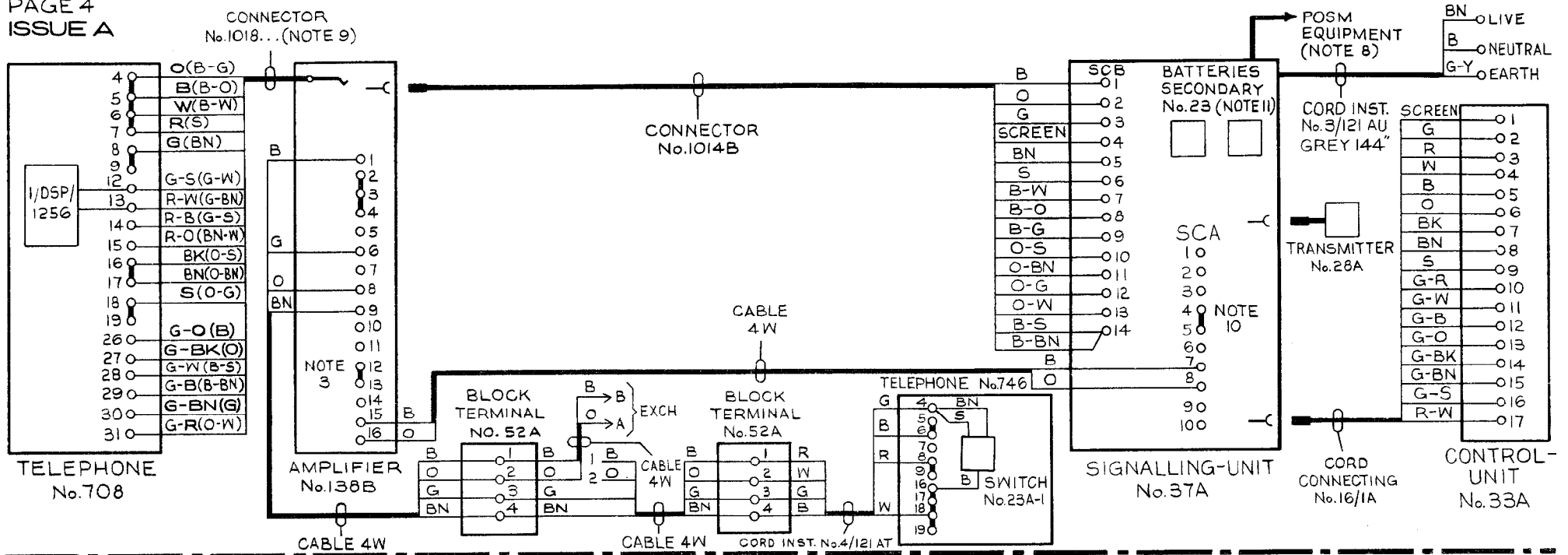
DIRECT EXCHANGE LINE



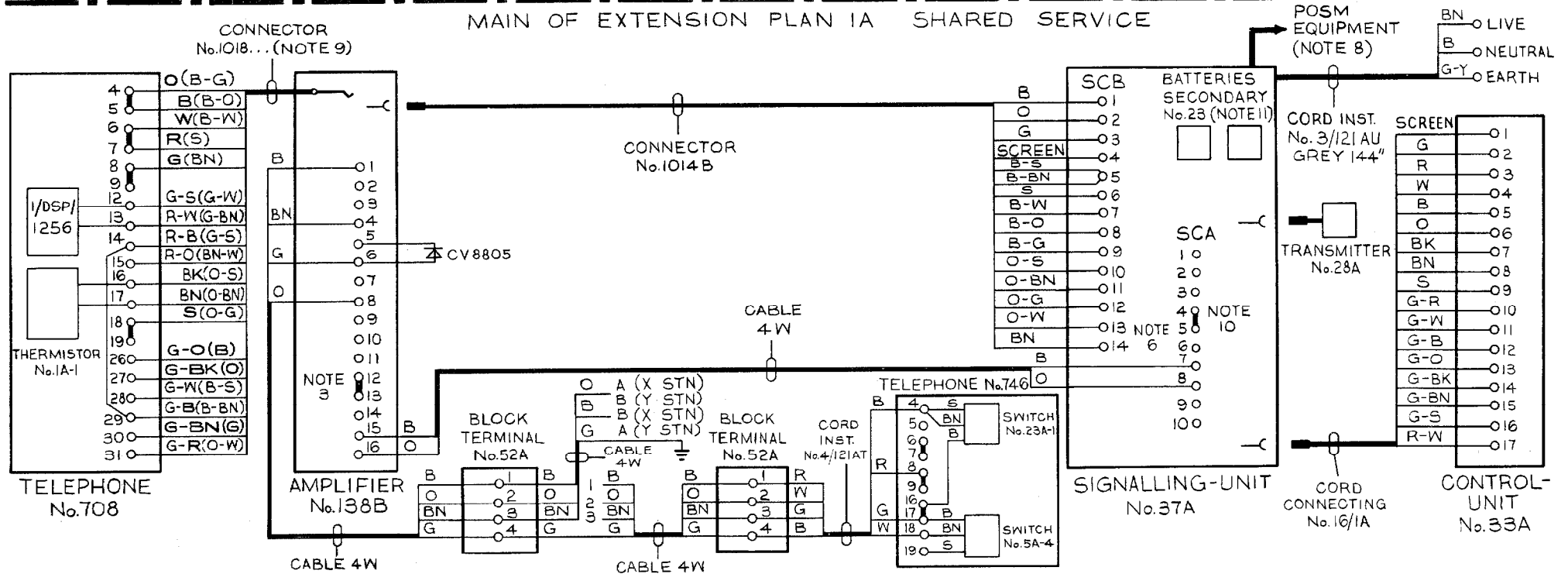
SHARED SERVICE



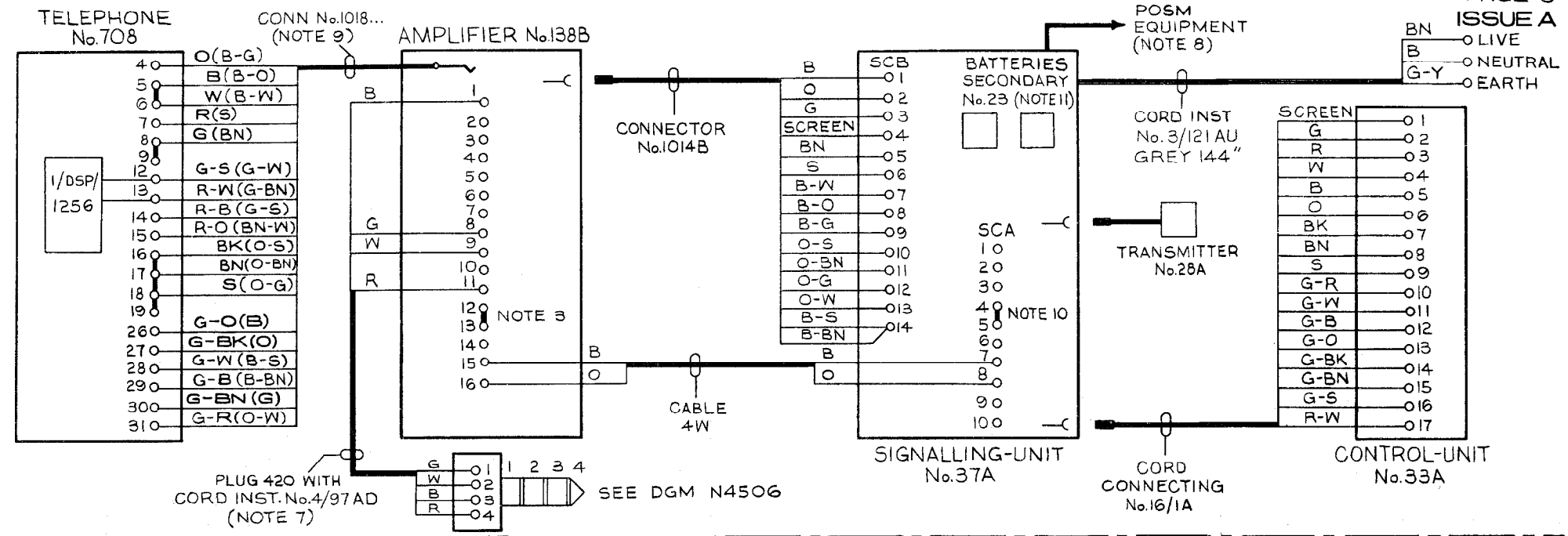
MAIN OF EXTENSION PLAN IA



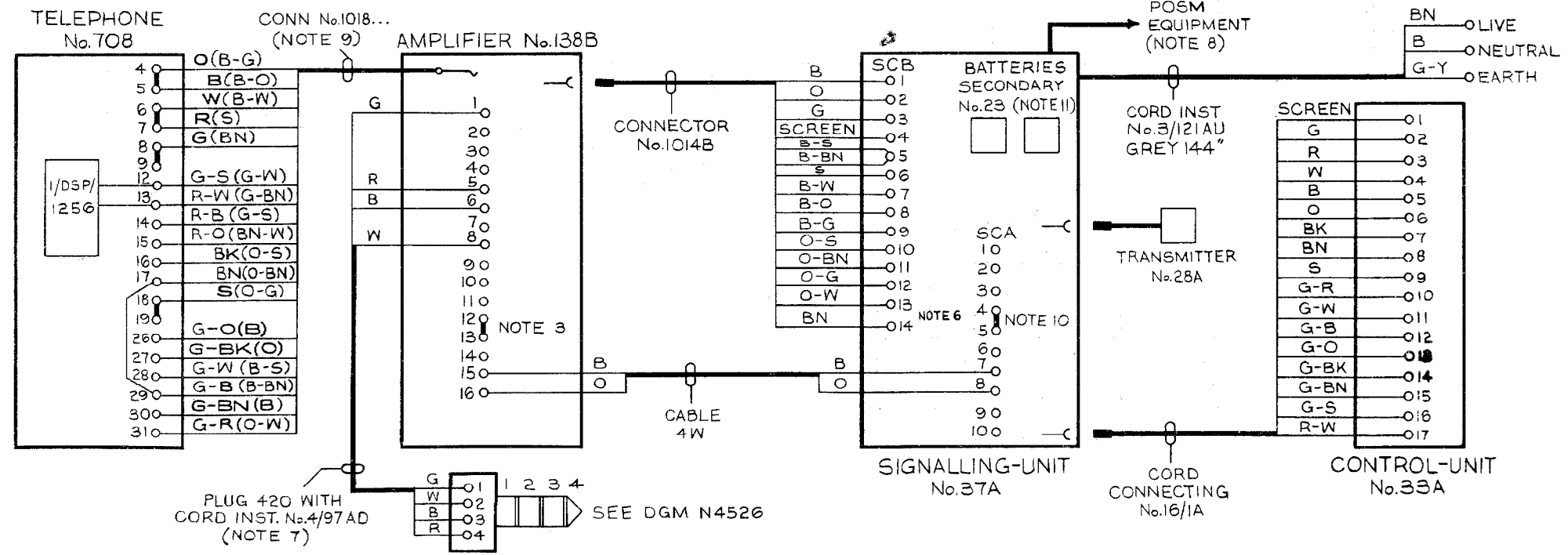
MAIN OF EXTENSION PLAN IA SHARED SERVICE



EXTENSION PLAN 4



EXTENSION PLAN 4 SHARED SERVICE



PLAN No.107 INTERNAL EXTENSION ONLY

