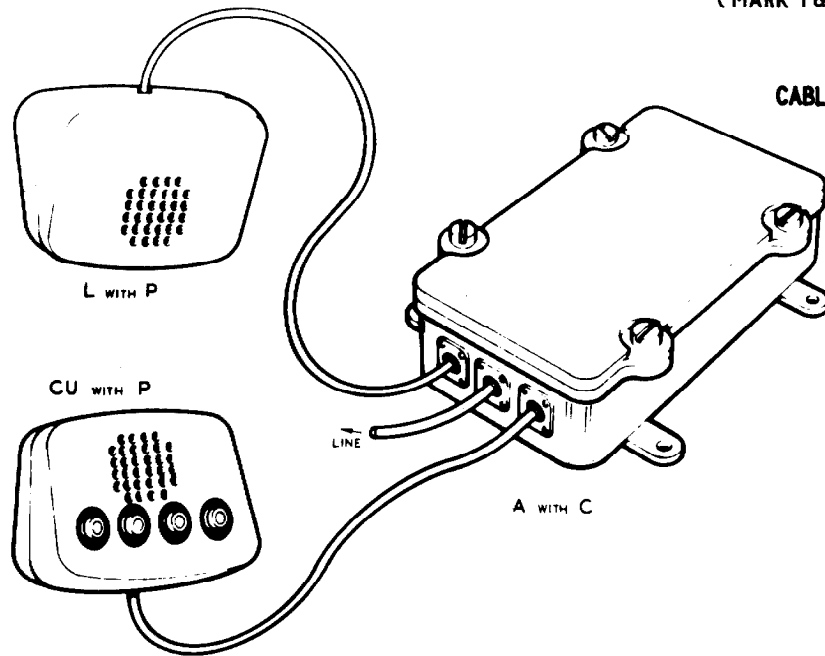
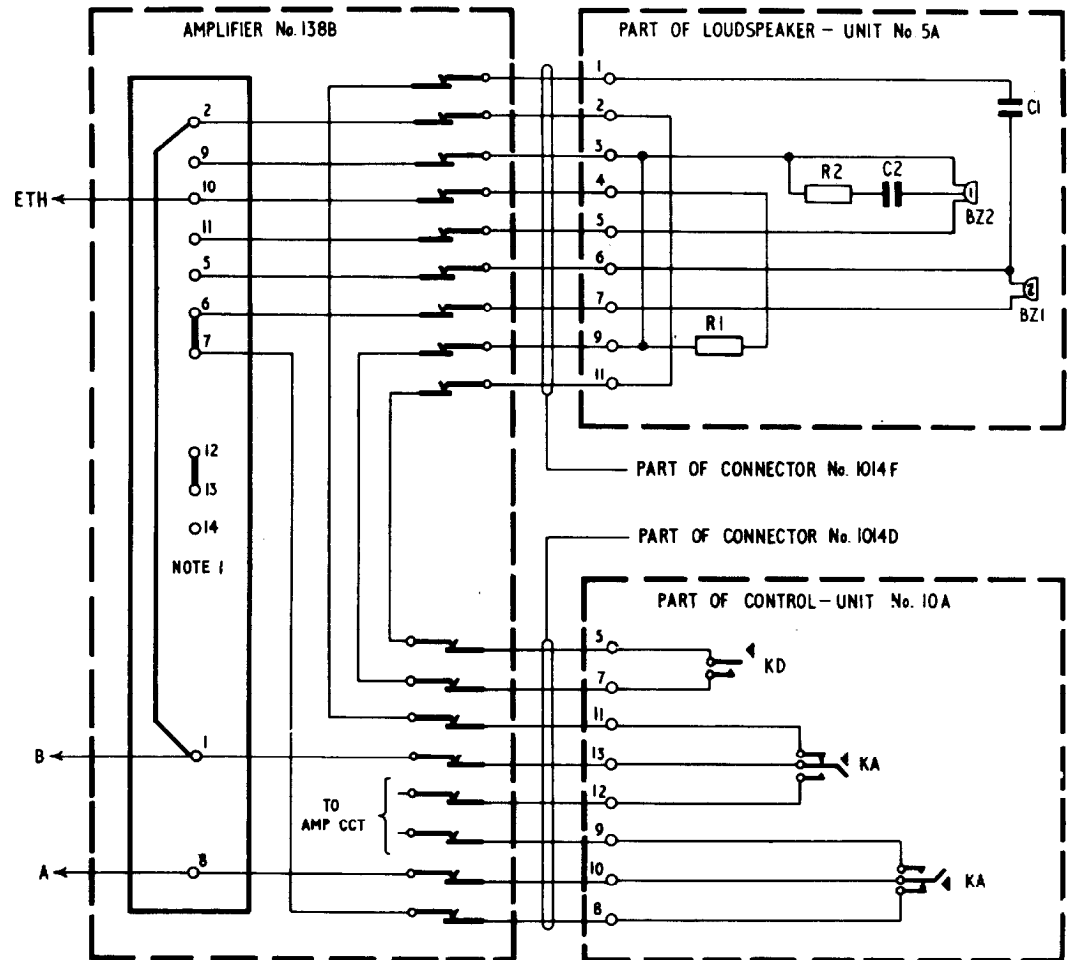


# LOUDSPEAKING TELEPHONE No.3 (MARK 1&2)



## CABLING FOR DEL'S (FOR MANUAL EXCHANGES) AND MANUAL EXTENSIONS OFF PBX'S WITH OR WITHOUT EARTH LOOP RECALL



**NOTES:-**

- 1 The Long line/Short line strap is shown in the short line position as issued. See T.I.C3B 2003
- 2 For wall mounting use Plates Mounting No.3A  
For desk use, Pads No.5 packed with the loudspeaker unit and control unit should be used and the labels on the control unit rotated half a turn
- 3 The cord and colours shown are those for Cord.Inst.No.18/09 AD. The colours shown in brackets refer to Cord Inst.No.18/04AJ
- 4 On PMBX'S with C Wire signalling connect as external extension
- 5 This wire to be provided additionally
- 6 When an extension bell is required at the extension introduce a Block Term1 No.35... in the Cable 8W between extension and main and connect bell between the orange conductors
- 7 Amplifier No.138A..... Terminals 15 and 16 are not provided
- 8 For earth loop recall remove Strap T8-T9, insert Switch No.5A-3 and connect Terminal 10 (earth) to T20 as shown

**REFERENCES:-**

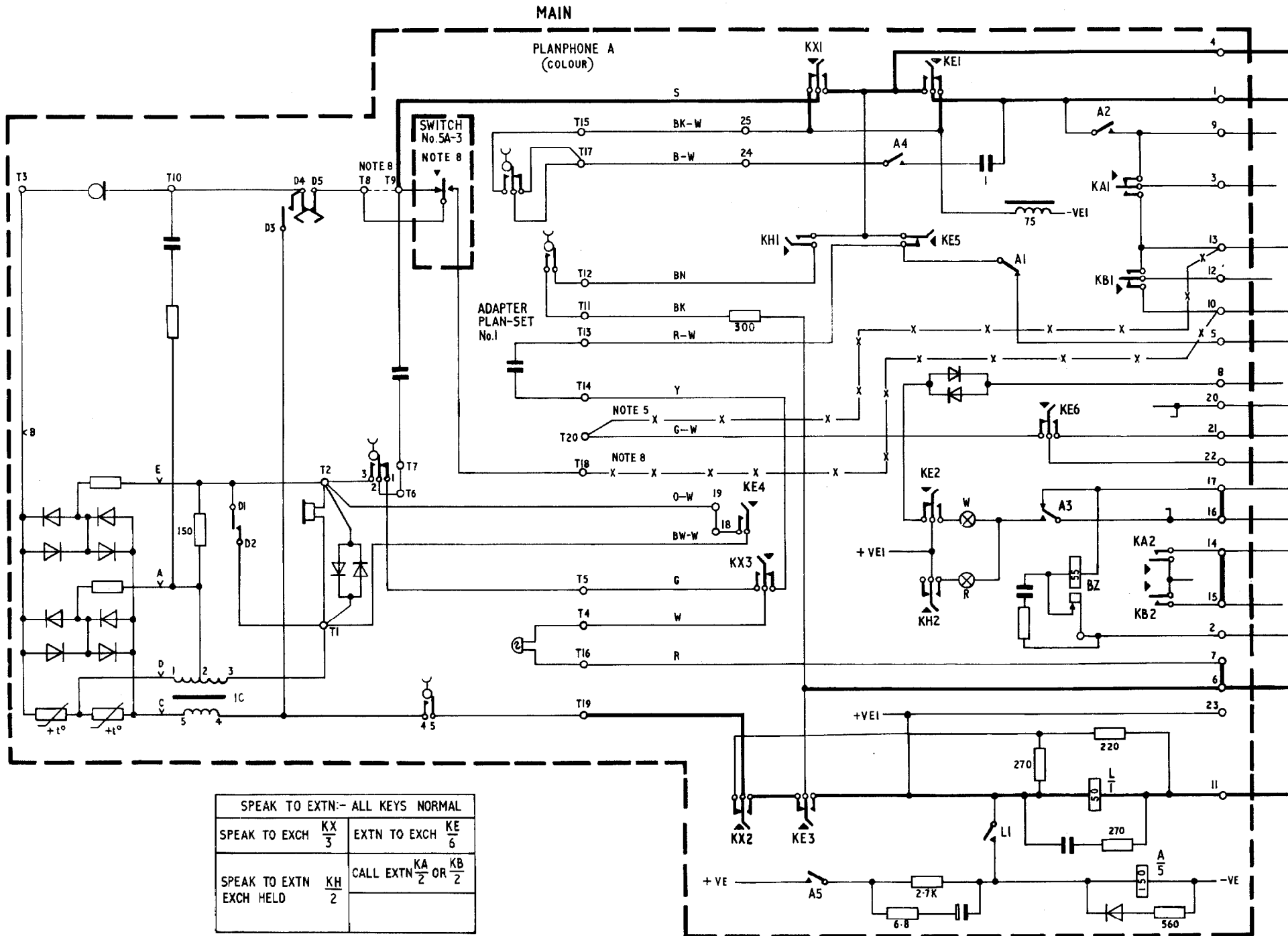
- T1 C3B2003 for installation information  
 T1 E5B2804 for maintenance information  
 T1 C3B2000 for general information on loudspeaking telephones  
 N4509 for notes on main of ...

**APPARATUS SCHEDULE**

ITEM	DESCRIPTION	DGM No.
<b>MARK 1</b>		
A	Amplifier No. 138A	
CU	Control-unit No. 10A	N4459
L	Loudspeaker No.5A with Connector No.1014E	N4453
<b>MARK 2</b>		
A	Amplifier No. 138B	
CU	Control-unit No. 10A	N4459
L	Loudspeaker-unit No.5A	N4453
<b>COMMON ITEMS USED WHEN REQUIRED</b>		
C	Case No. 111A	
P	Plate mounting No. 3A	

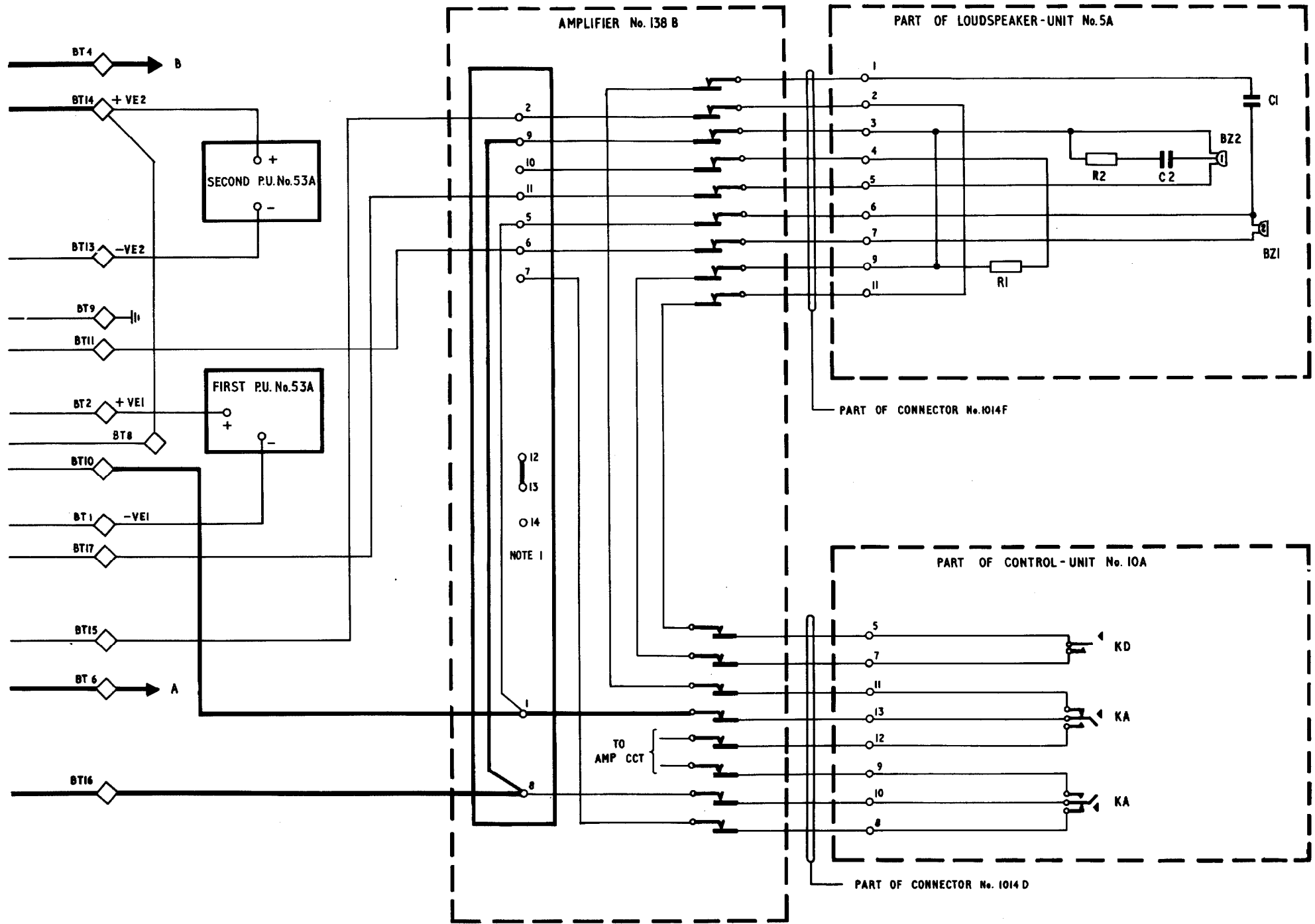
P O TELECOMMS HQRS	ISSUE		
COLOUR:-W			
DISTN:- GENERAL			
	A	NEW FORMAT MINOR AMENDMENTS COLOUR WAS RED DISTN.WAS SPECIAL GR TD 7-1-2	23-4-75
	/	H. THWAITE	19-5-64

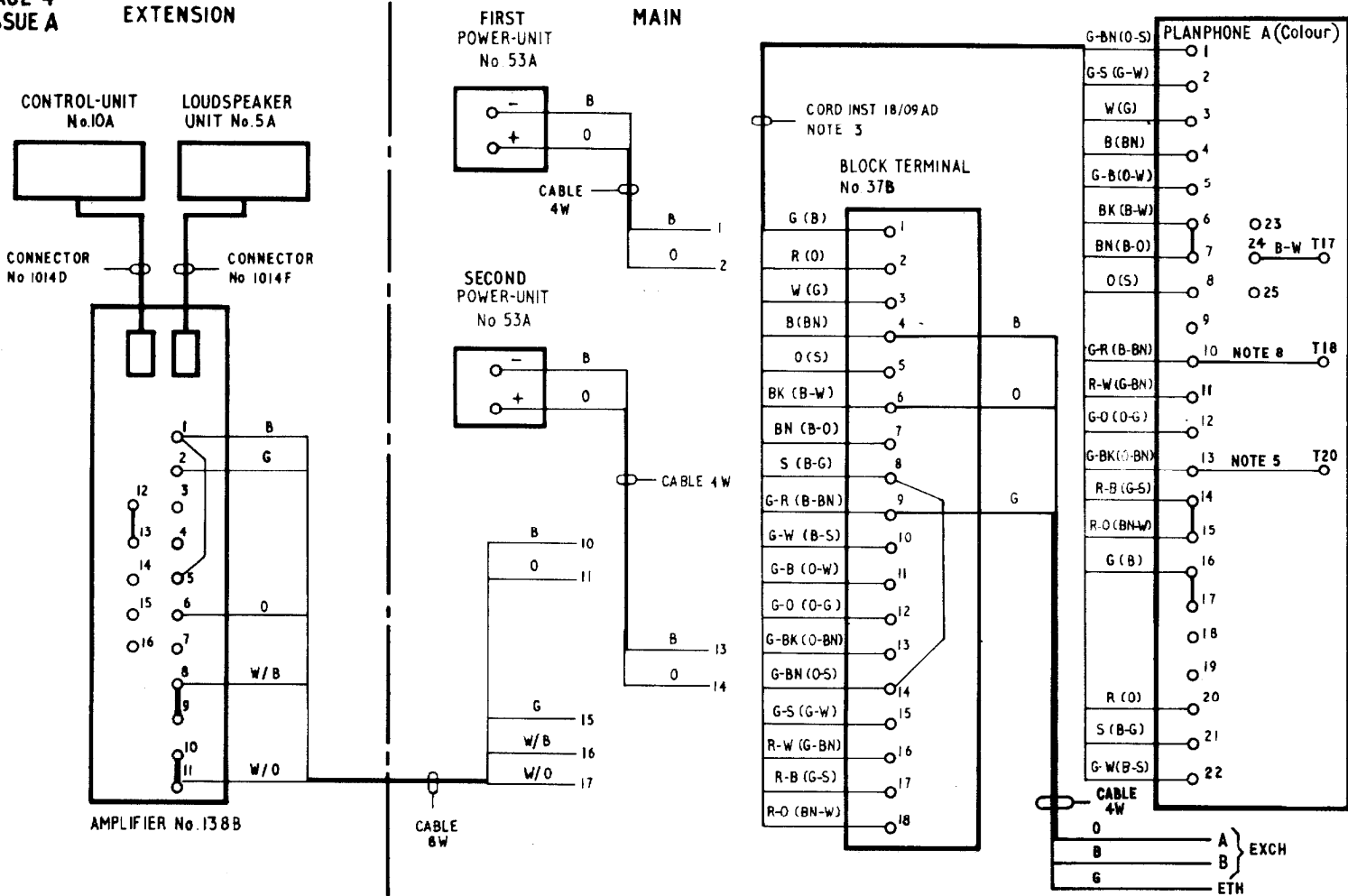
EXTENSION PLAN 107 & 107A (INTERNAL)  
WITH LOUDSPEAKING TELEPHONE No.3 MK 2 AT EXTENSION



SPEAK TO EXTN:- ALL KEYS NORMAL	
SPEAK TO EXCH $\frac{KX}{3}$	EXTN TO EXCH $\frac{KE}{6}$
SPEAK TO EXTN EXCH HELD $\frac{KH}{2}$	CALL EXTN $\frac{KA}{2}$ OR $\frac{KB}{2}$

EXTENSION





APPARATUS SCHEDULE	
MAIN	EXTENSION
Planphone A (Colour) (Dgm. No. N628) Capacitor Paper 7712-2 Clip No. 90 Switch No. 19D-1 or No. 19C-1 2 Power Units No. 53A Part 1/DBU/1022 If recall is required provide Switch No. 5A-3 Part 1/DPL/1022 Part 1/DBU/362 2 Parts 1/DPI/203	Loudspeaking Telephone No. 3