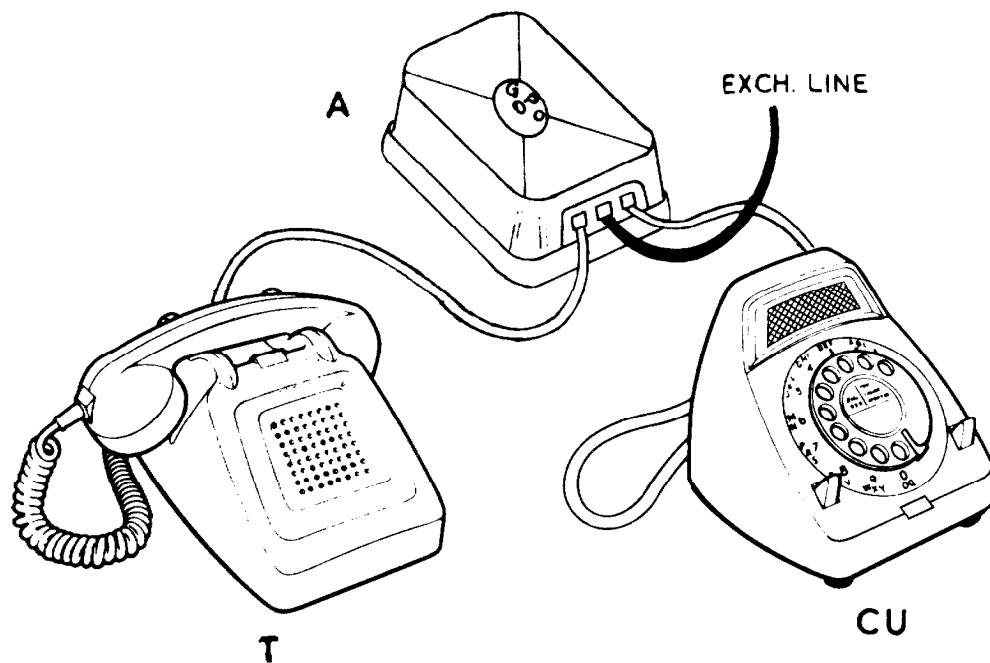


LOUDSPEAKING TELEPHONE No.1 MARKS I & II  
TABLE TELEPHONE FOR USE IN AUTOMATIC & C.B. AREAS NOTE I

N 4472  
PAGE I-II  
ISSUE C



APPARATUS SCHEDULE		
ITEM	DESCRIPTION	DGM
MARK I		
A	AMPLIFIER No. 138A	
CU	CONTROL-UNIT No. 8A MARK 2 WITH CONNECTOR No. 1014B	N 4458
T	TELEPHONE No. 708 WITH CONNECTOR No. 1014C	N 4451
MARK II		
A	AMPLIFIER No. 138B	
CU	CONTROL-UNIT No. 8A MARK 2 WITH CONNECTOR No. 1014B	N 4458
T	TELEPHONE No. 708 WITH CONNECTOR No. 1018A	N 4451

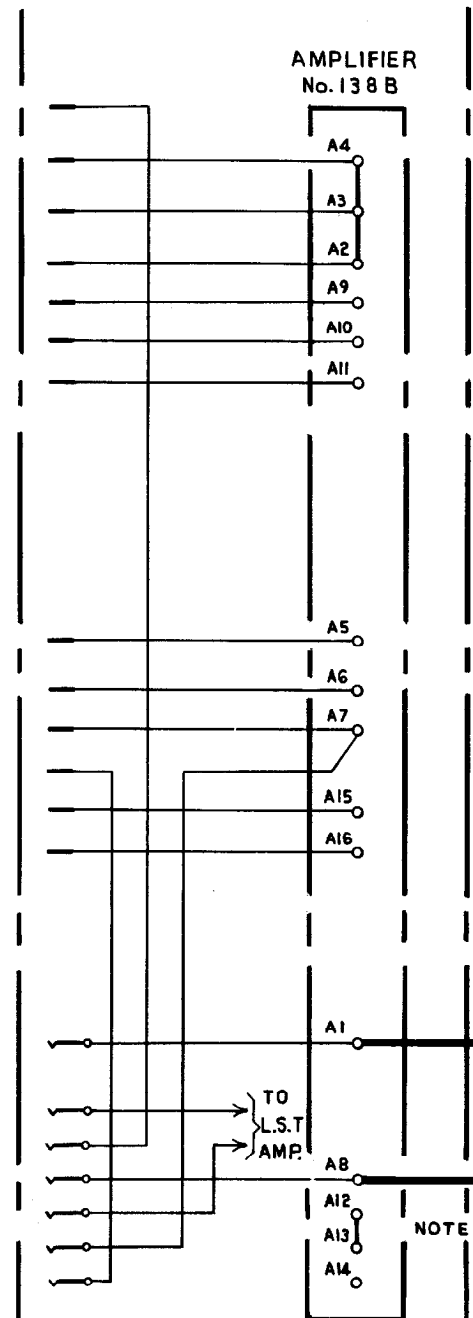
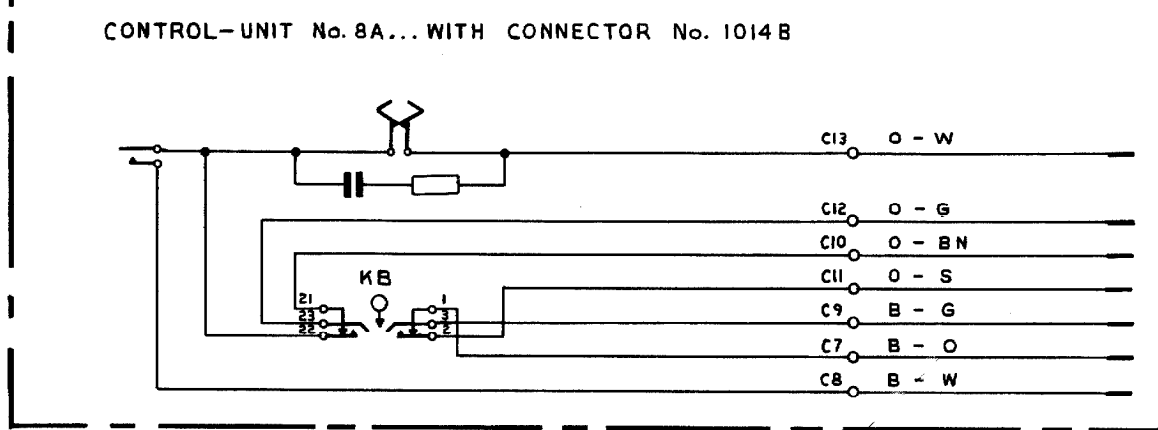
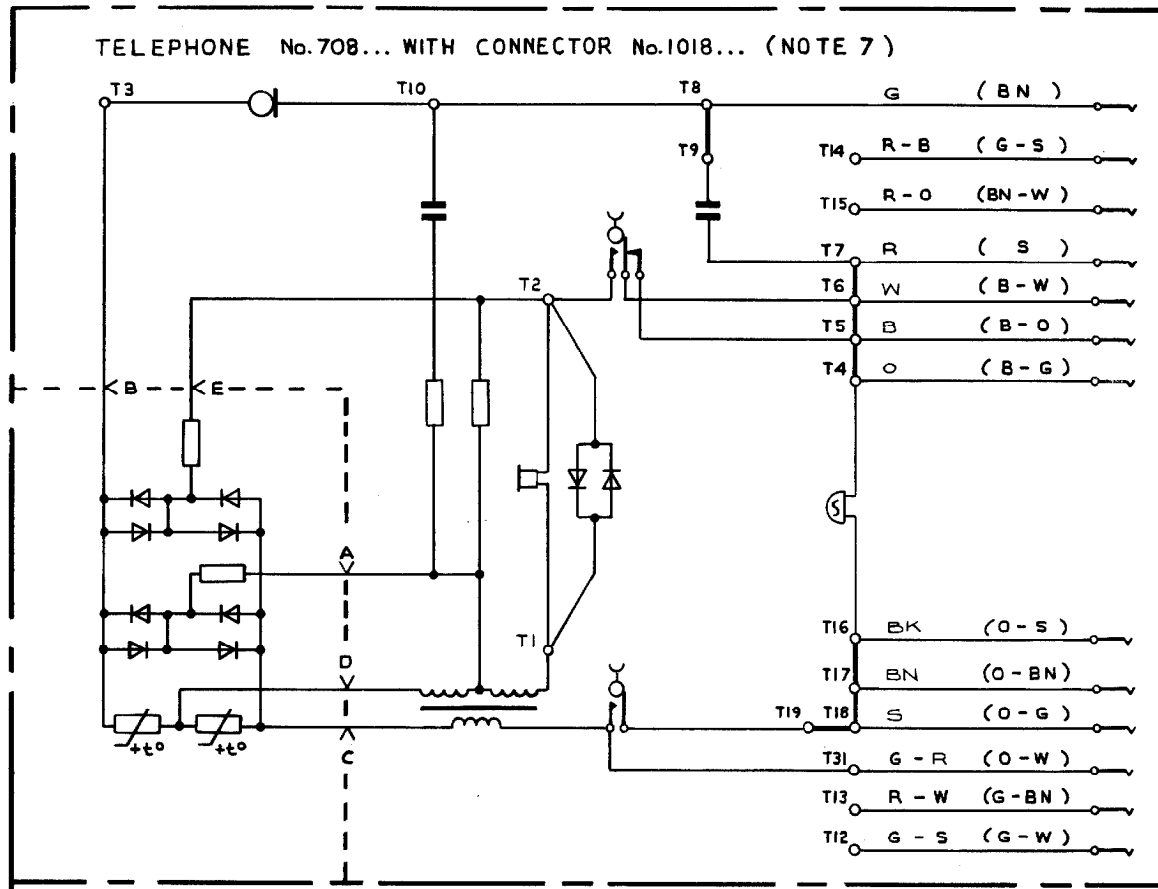
NOTES :-

1. THE LINE CURRENT SHOULD BE AT LEAST 30mA FOR SUCCESSFUL OPERATION, UNDER NO CONDITIONS SHOULD LINE OR EARTH CURRENT THROUGH THE AMPLIFIER EXCEED 90mA. SEE TI C3 B 2001. ON PMBX'S, THE ABOVE CONDITIONS MUST ALSO BE MET ON EXTENSION TO EXCHANGE CALLS.
2. LONG LINE/SHORT LINE STRAP (A12-A13) IS IN THE SHORT LINE POSITION AS ISSUED. SEE TI C3 B 2001
3. WHEN AN EXTENSION BELL IS REQUIRED CONNECT TO A6-A7 AND REMOVE STRAP T17-T18
4. VALVE ELECTRONIC CV8790 TO BE FITTED LOCALLY IN U.A.X. AREAS WITH VIBRATOR RINGING
5. WHEN AN EXTENSION BELL ON SHARED SERVICE IS REQUIRED CONNECT TO A10-A11 AND REMOVE STRAP T4-T5
6. ON P.M.B.X'S USING THE FOUR WIRE PRINCIPLE CONNECT AS FOR AN EXTERNAL EXTENSION
7. THE COLOURS SHOWN ARE THOSE FOR CONNECTOR No.1018D. THE COLOURS SHOWN IN BRACKETS REFER TO CONNECTOR No.1018A
8. IF EXCHANGE SIGNALLING DIFFICULTIES ARE EXPERIENCED THE RESISTOR, COIL No.35A, 200Ω MAY BE REMOVED

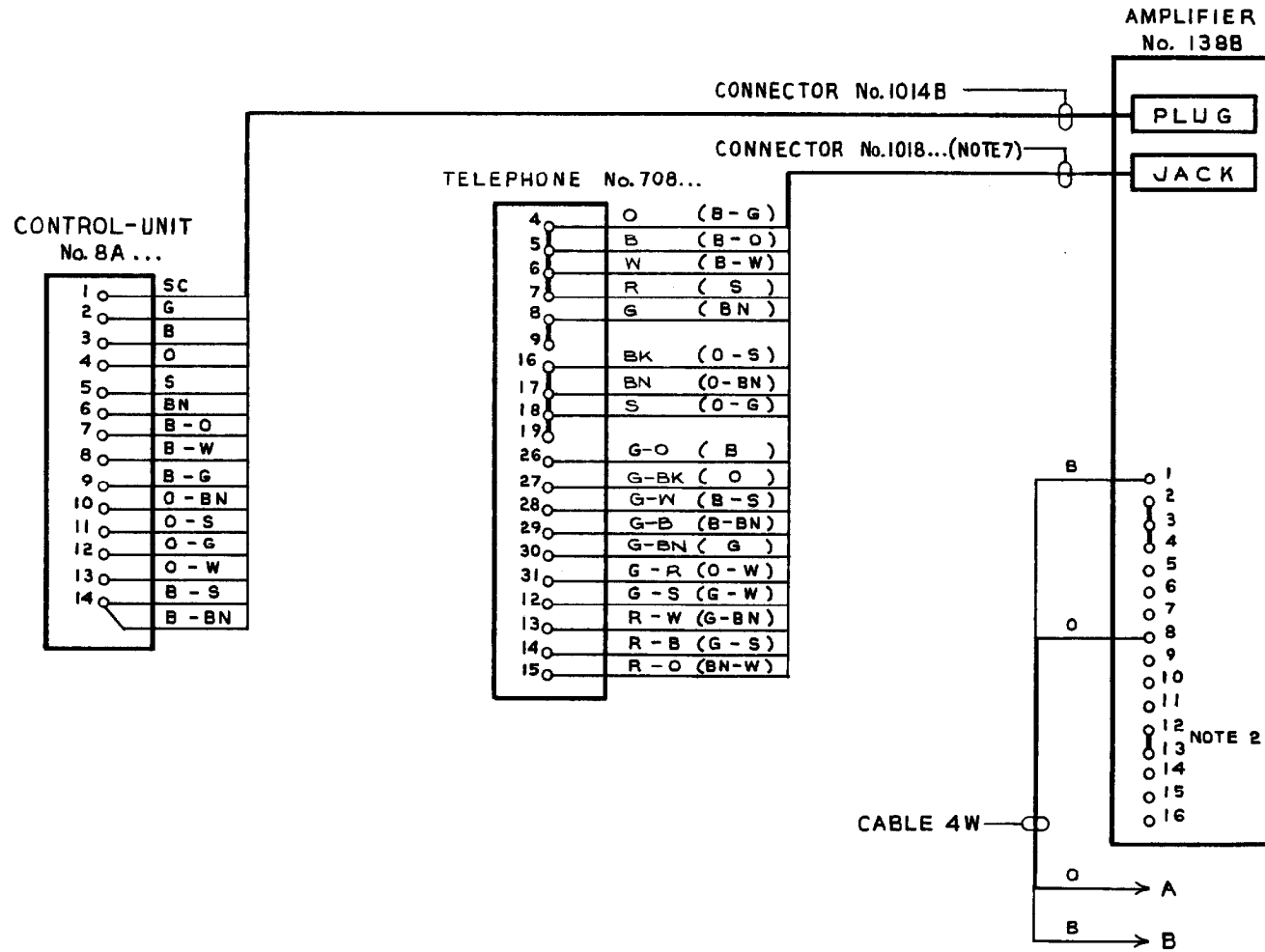
DO TELECOMMS PAPER :- W DISTN :- GENERAL	ISSUE		
	C	CORD COLOURS AMENDED. E.M.S. <i>D.I.F.</i>	1-11-76
	B	REDRAWN: NEW FORMAT MK I MADE YELLOW MINOR AMENDMENTS <i>PJB.</i>	TD 7-1-2 12-4-76
A	NOTE 1 AMENDED	LES	7-11-67

# LOUDSPEAKING TELEPHONE No. I MK. II

## EXPLANATORY

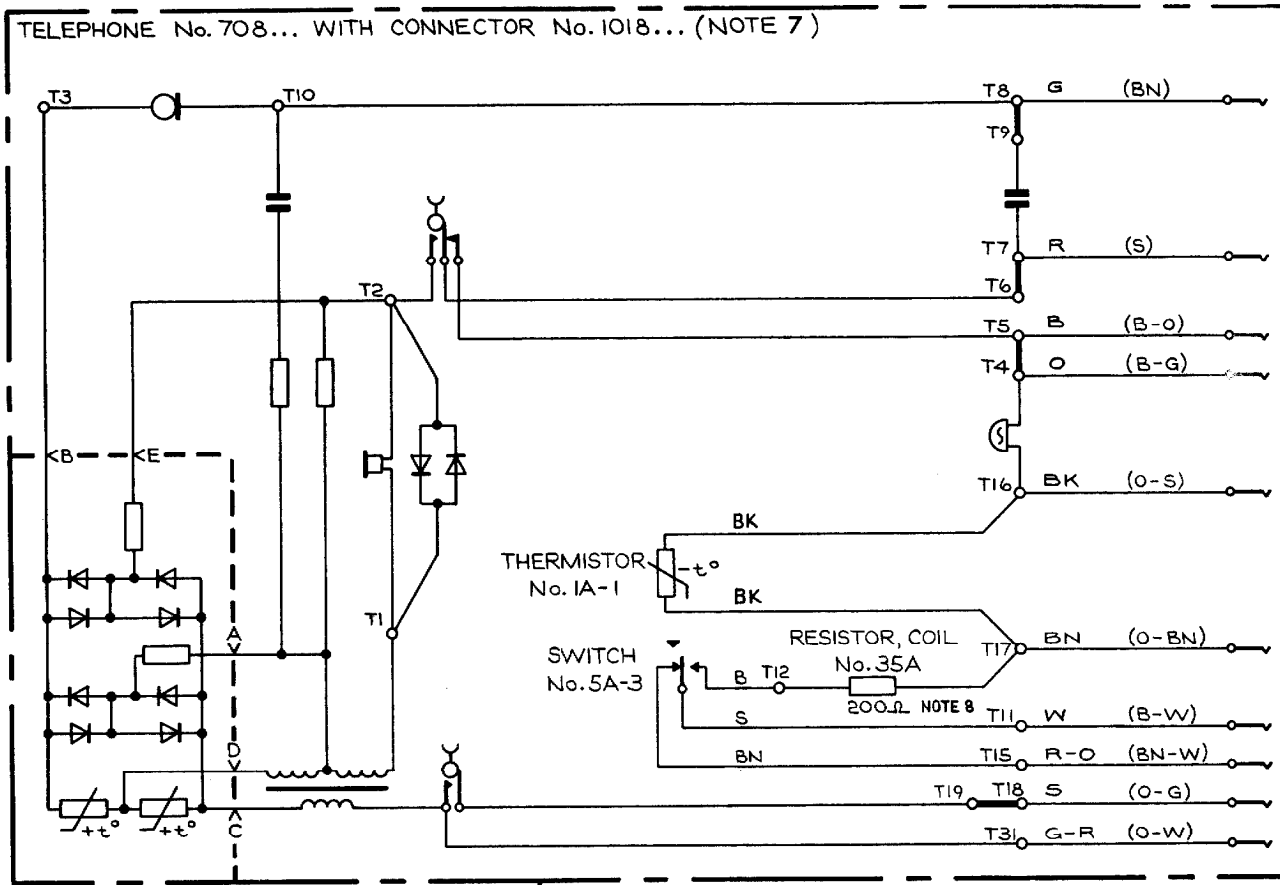


WIRING

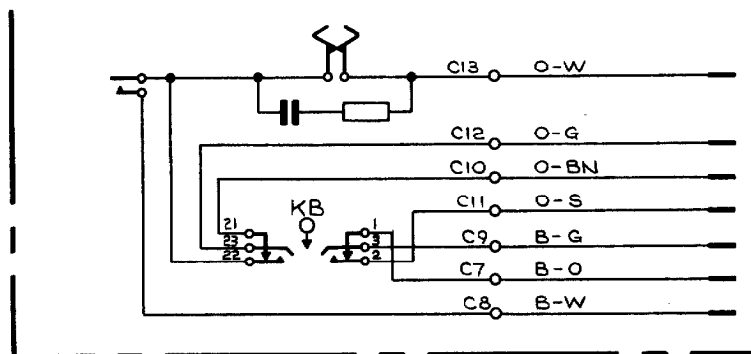


LOUDSPEAKING TELEPHONE No.1 MK II  
FOR USE IN AUTOMATIC AREAS ON SHARED SERVICE LINES

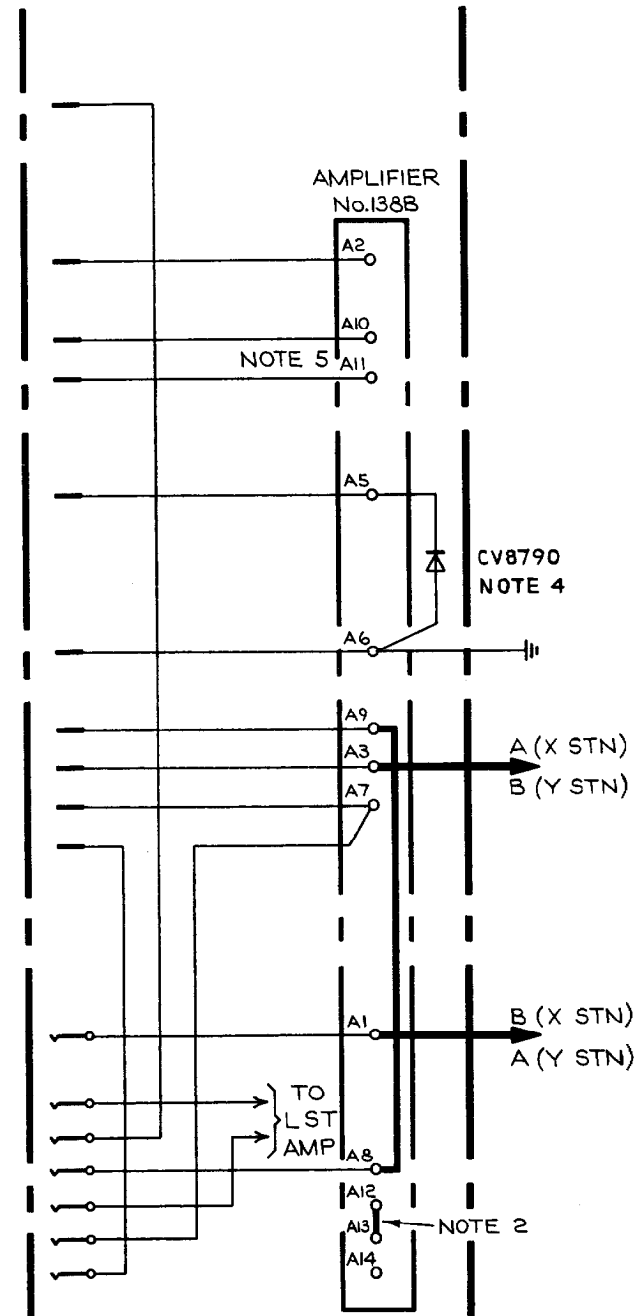
EXPLANATORY



CONTROL-UNIT No. 8A ... WITH  
CONNECTOR No. 1014B



ADDITIONAL APPARATUS REQUIRED  
SWITCH No. 5A-3  
PART 3/DBU/263 (COLOUR)  
THERMISTOR No. 1A-1



# LOUDSPEAKING TELEPHONE No.1 MK.II

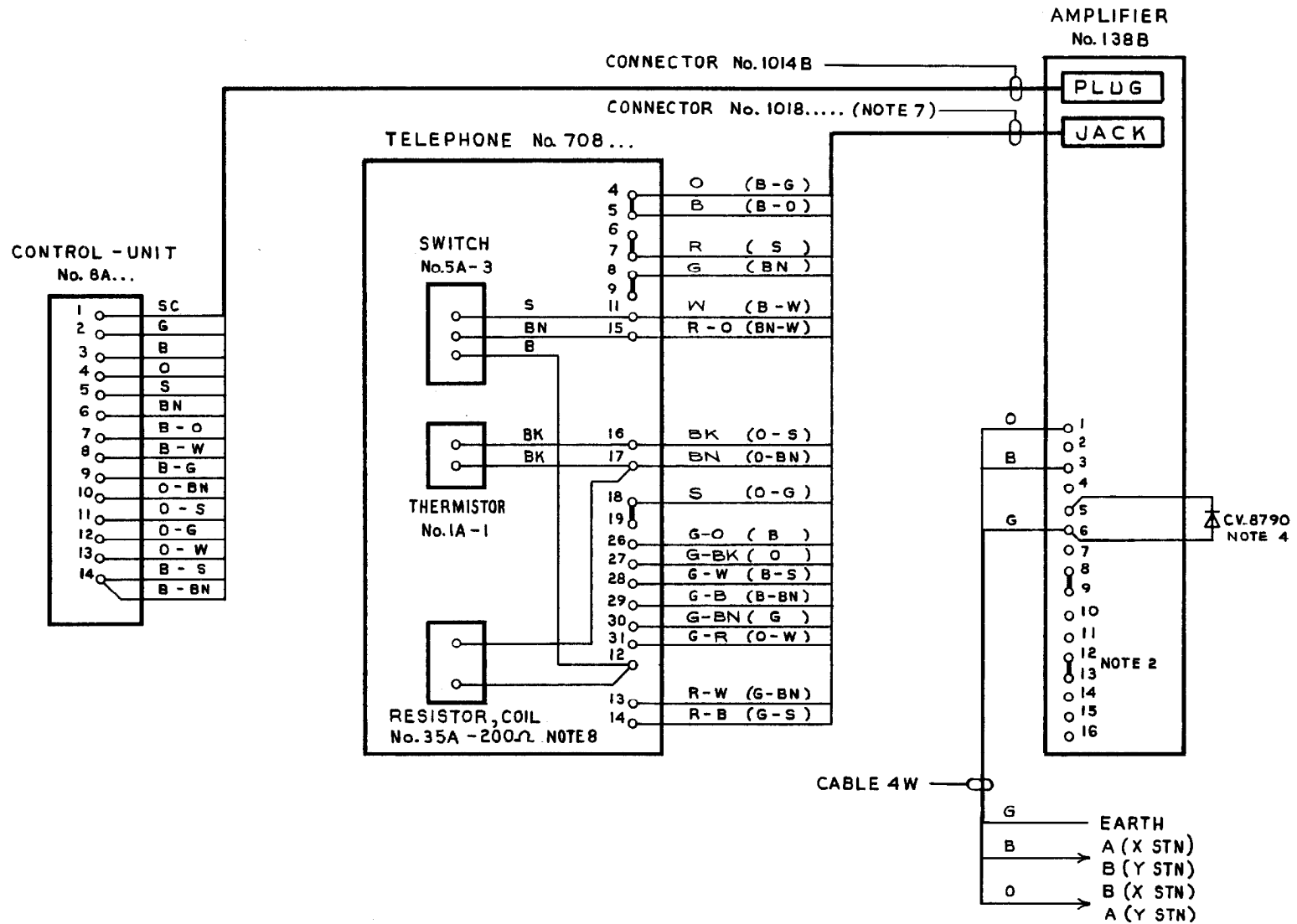
FOR USE IN AUTOMATIC AREAS ON SHARED SERVICE LINES

N4472

PAGE 5

ISSUE C

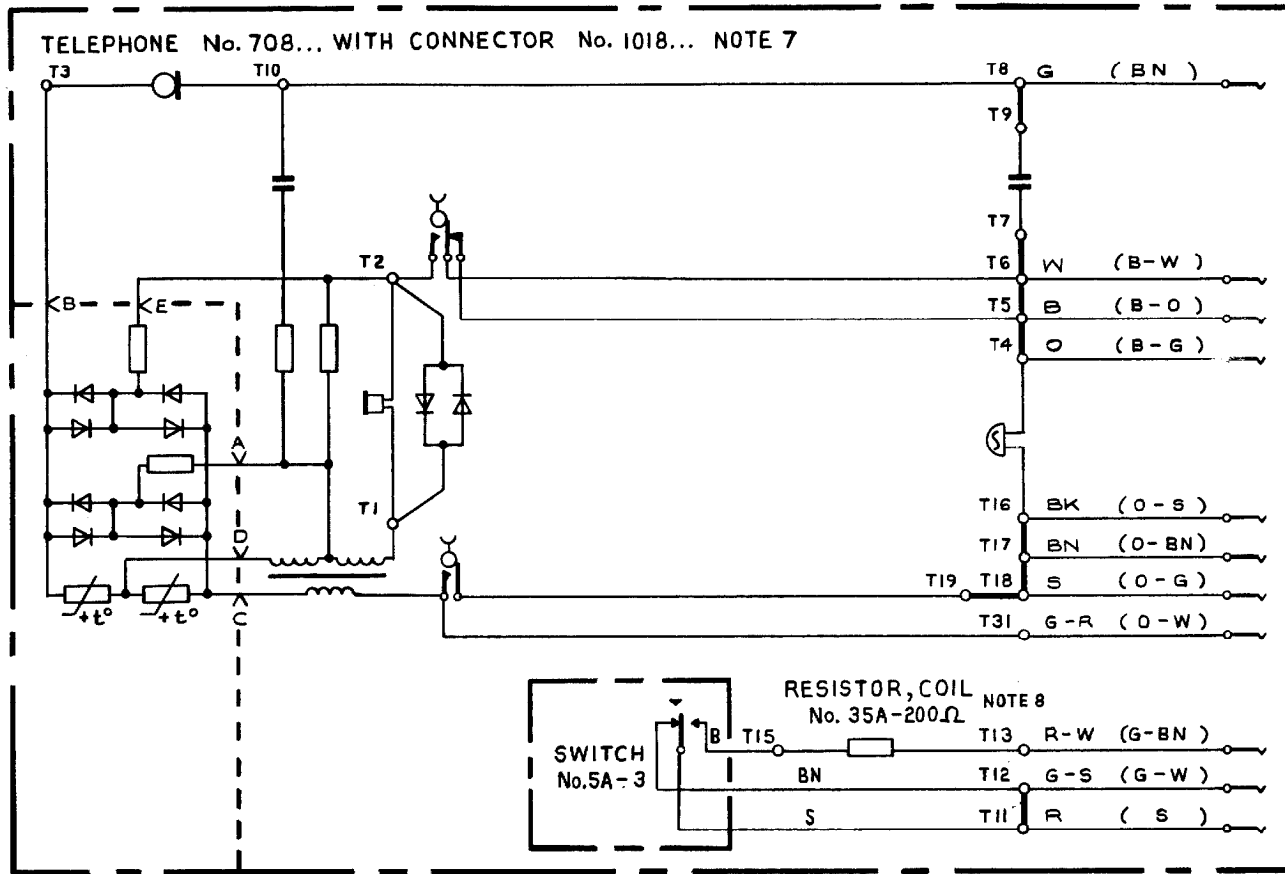
## WIRING



LOUDSPEAKING TELEPHONE No.1 MK II

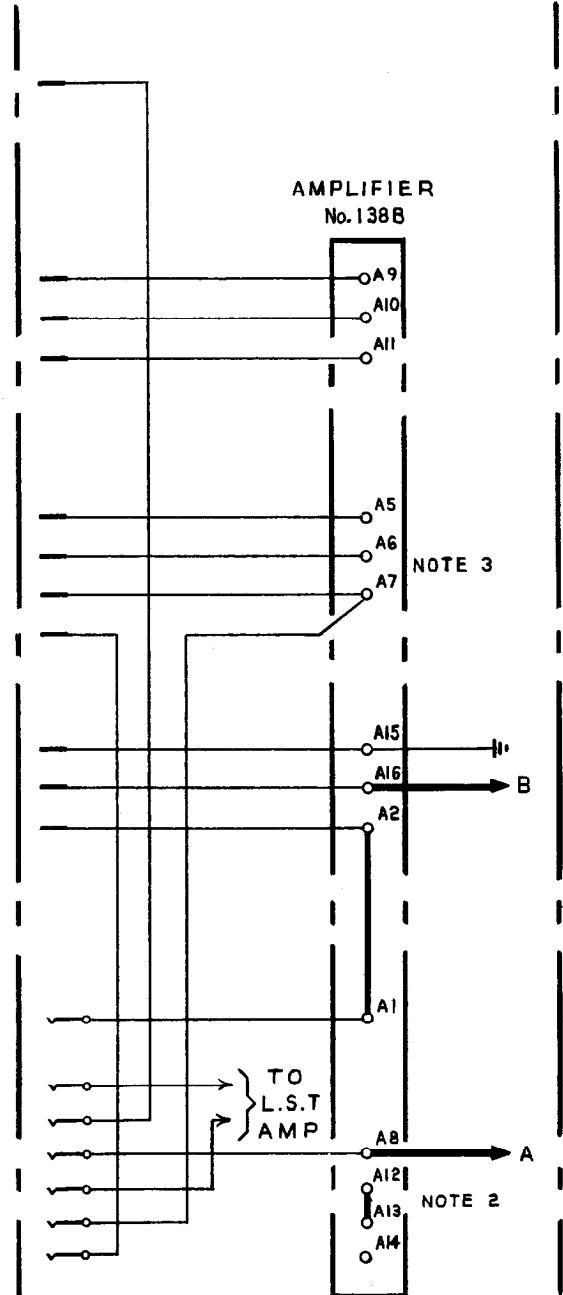
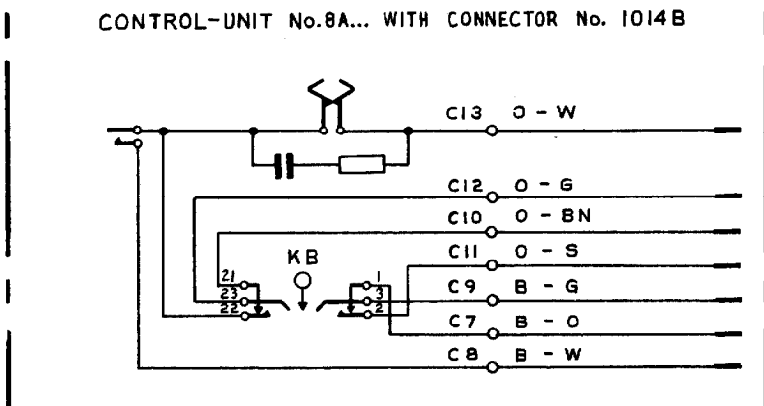
FOR USE ON 2 WIRE PBX EXTENSIONS WITH EARTH LOOP RECALL (NOTE 6)

EXPLANATORY



**ADDITIONAL APPARATUS REQUIRED**

SWITCH No. 5A-3  
PART 4/DBU/263 (COLOUR)  
RESISTOR, COIL No. 35A-200Ω



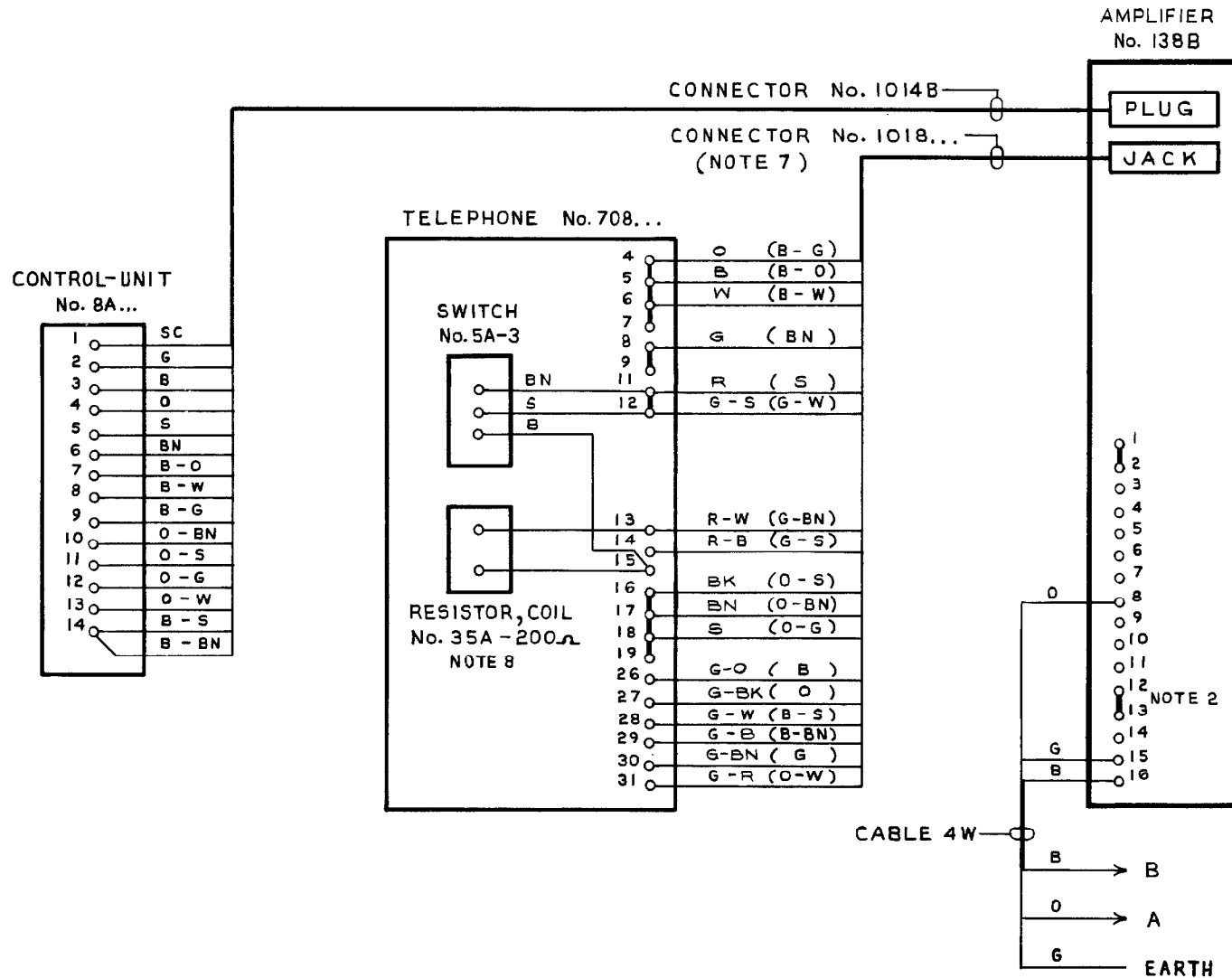
LOUDSPEAKING TELEPHONE No.1 MK II  
 FOR USE ON 2 WIRE PBX EXTENSIONS WITH EARTH LOOP RECALL (NOTE 6)

N4472

PAGE 7

ISSUE C

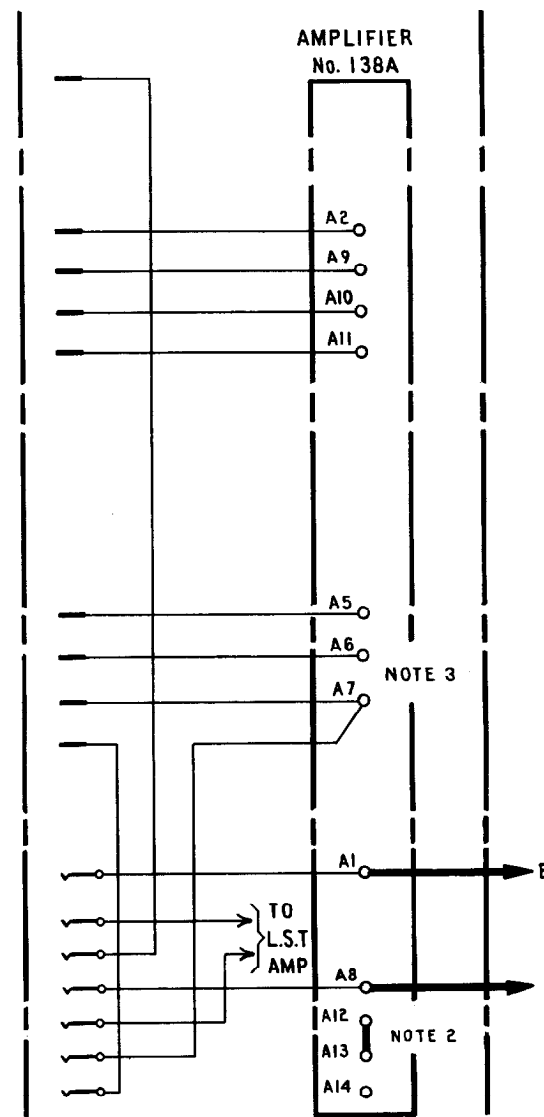
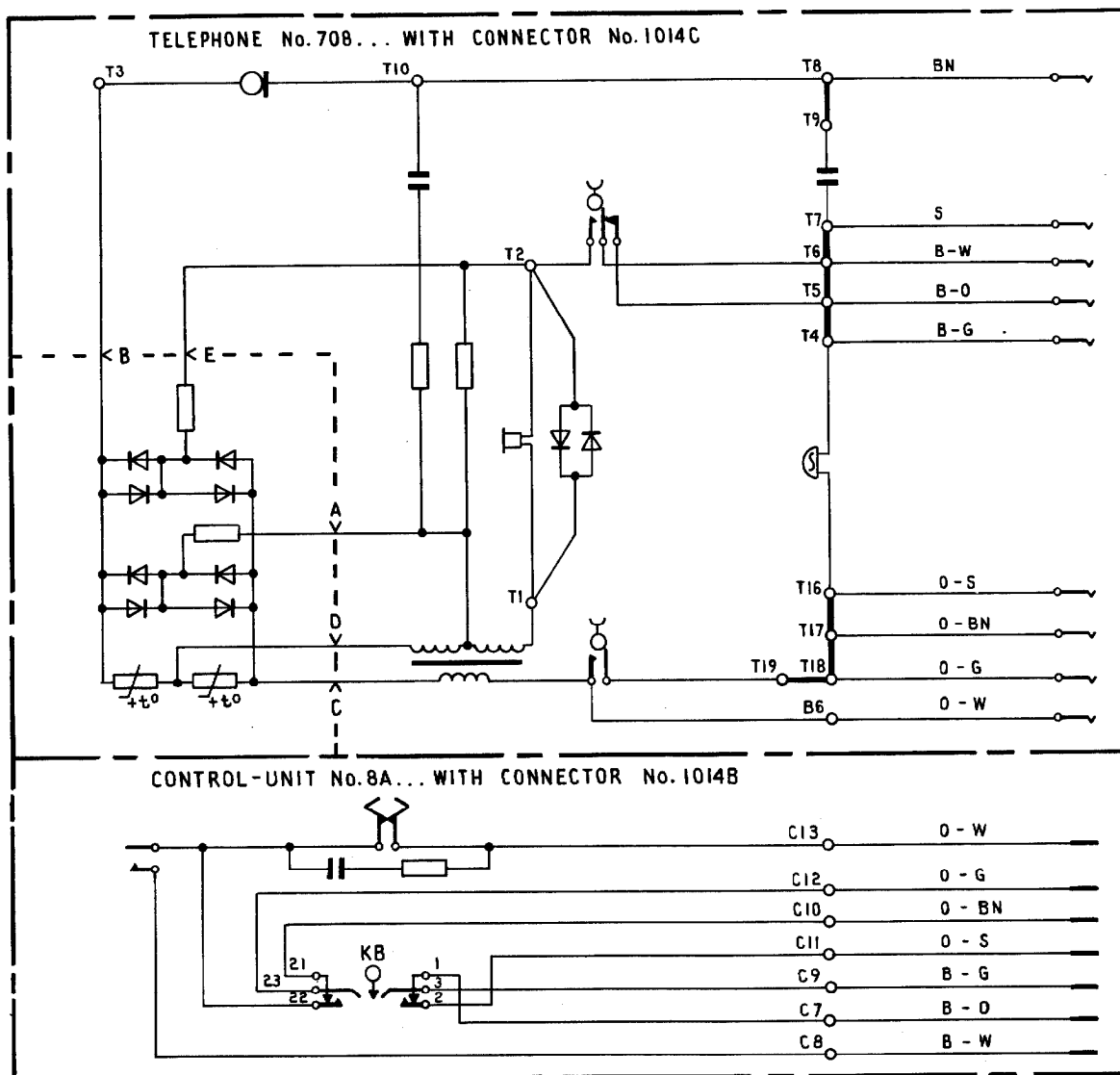
WIRING



SPARE



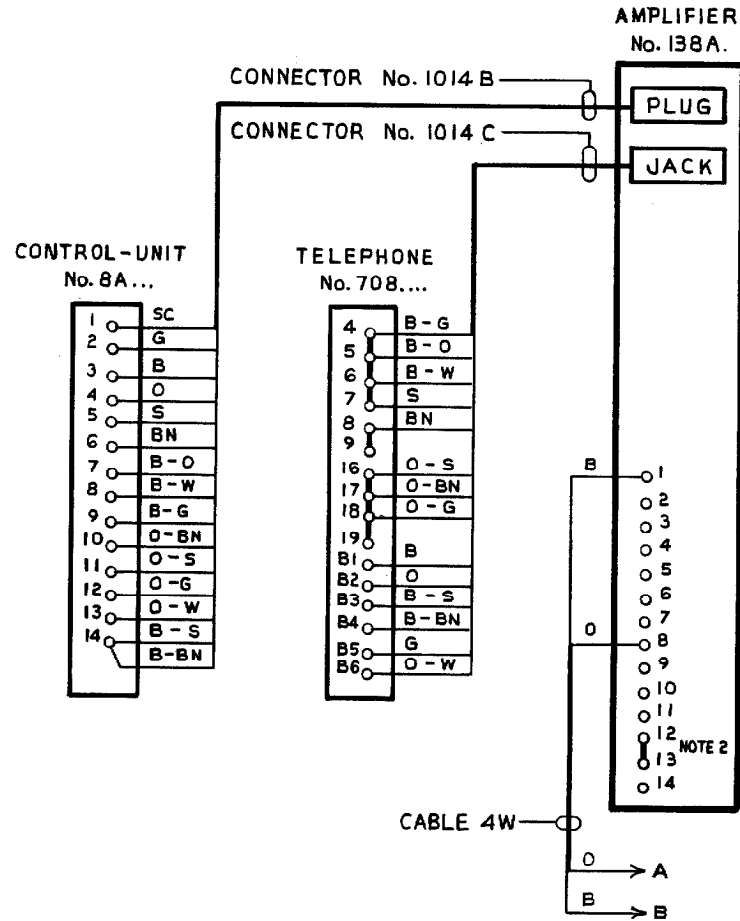
EXPLANATORY



TELECOMMS HQRS PAPER-Y DISTN:- GENERAL	ISSUE		
	C	CORD COLOURS AMENDED. E.M.S.	1-11-78
	B	NEW FORMAT MADE YELLOW MINOR AMENDMENTS	TD 7-1-2

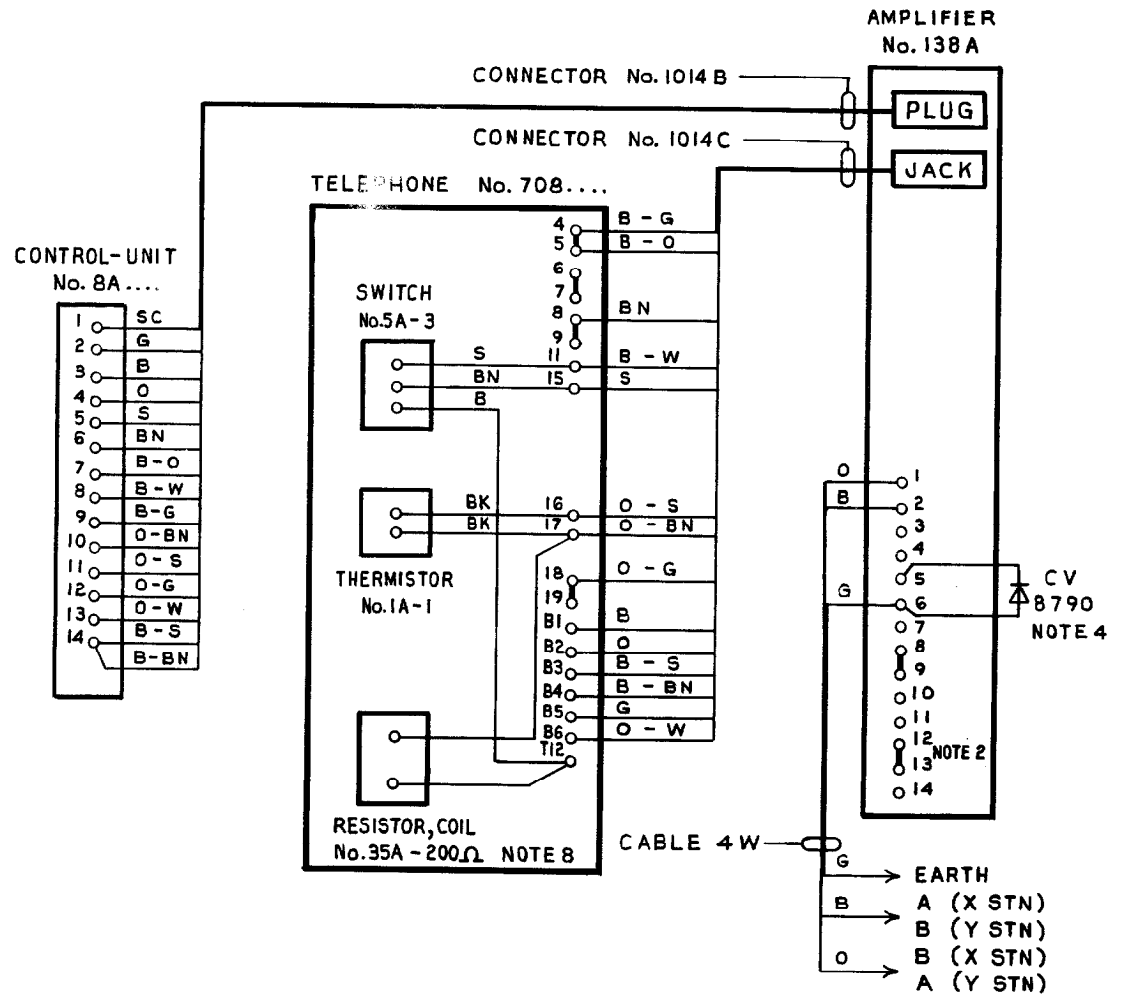
LOUDSPEAKING TELEPHONE  
No.1 MK I

WIRING



LOUDSPEAKING TELEPHONE No.1 MK I  
SHARED SERVICE

WIRING



LOUDSPEAKING TELEPHONE No.1 MK I  
 2 WIRE PBX EXTENSION WITH EARTH LOOP RECALL

N4472

PAGE 11

ISSUE C

