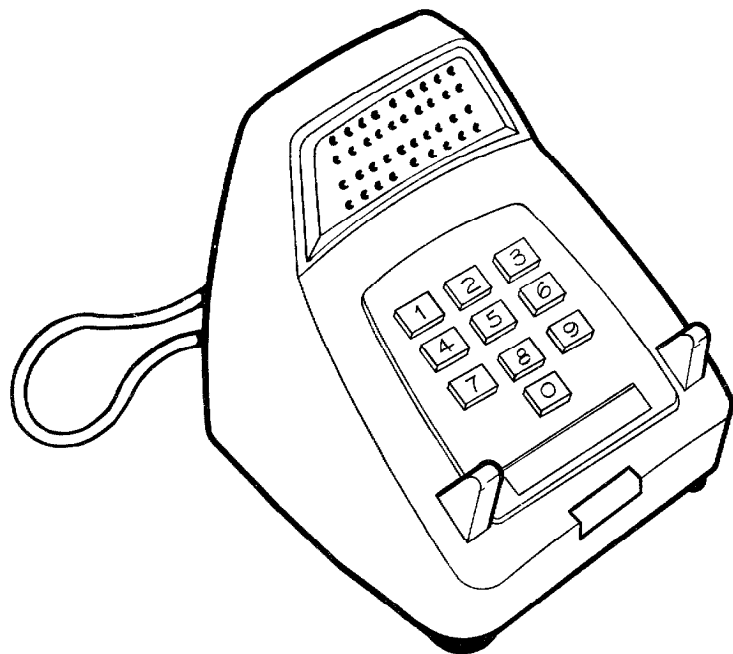
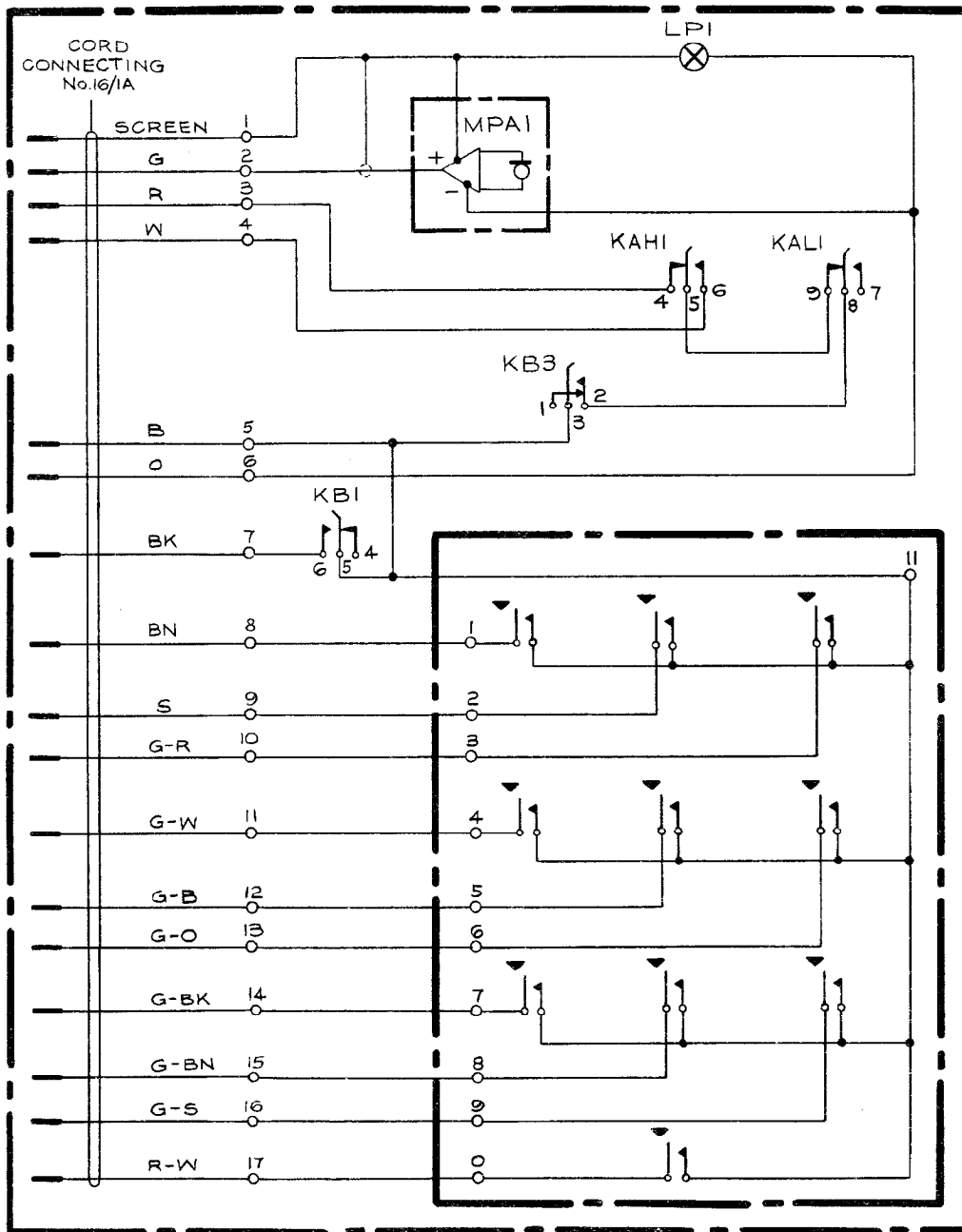


CONTROL-UNIT No.33A MKI
PART OF LOUDSPEAKING TELEPHONE No.7A

N4460



CONTROL-UNIT No. 33A-1



NOTE :- FOR LOUDSPEAKING TELEPHONE No.7A SEE DGM.N4478

PO TELECOMMS HQRS	ISSUE		
PAPER:- R			
DISTN:- RESTRICTED			
		Handwritten signature	TD 7-1-2