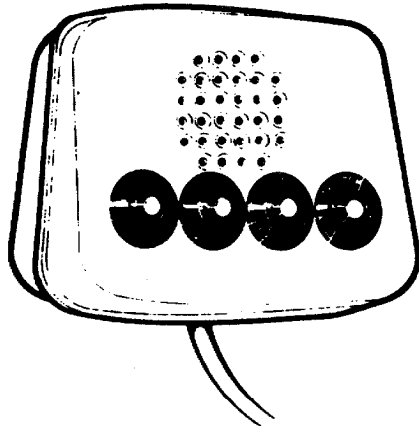


CONTROL UNIT No. 10A
PART OF LOUDSPEAKING TELEPHONE No. 3

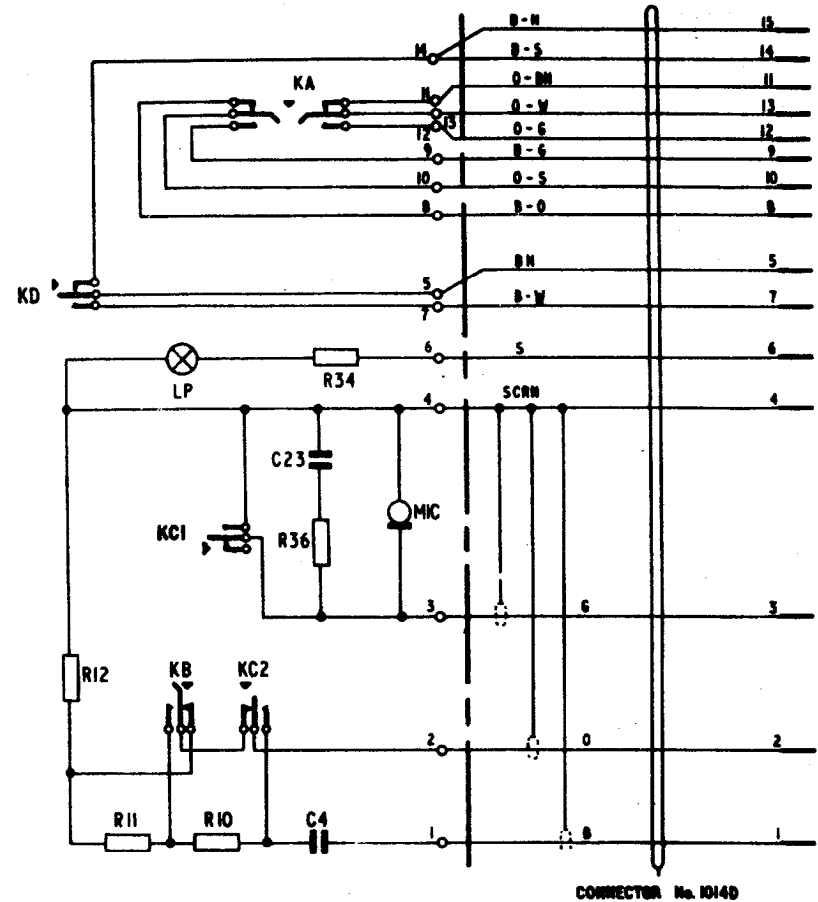
N4459
PAGE 1
ISSUE A



REFERENCES

Installation TI C3B2003
Maintenance TI E5B2804

Loudspeaking Telephone No.3 Dgm N4474



| | | | |
|-------------------------|-------|----------------------------------------------------------------------------------------|---------|
| PO TELECOMMS HQRS | | | |
| PAPER:-W | ISSUE | | |
| DISTN:- GENERAL | A | New format. Minor amendments. Paper was red and circulation was special GR TD 7-1-2 | 27-1-75 |