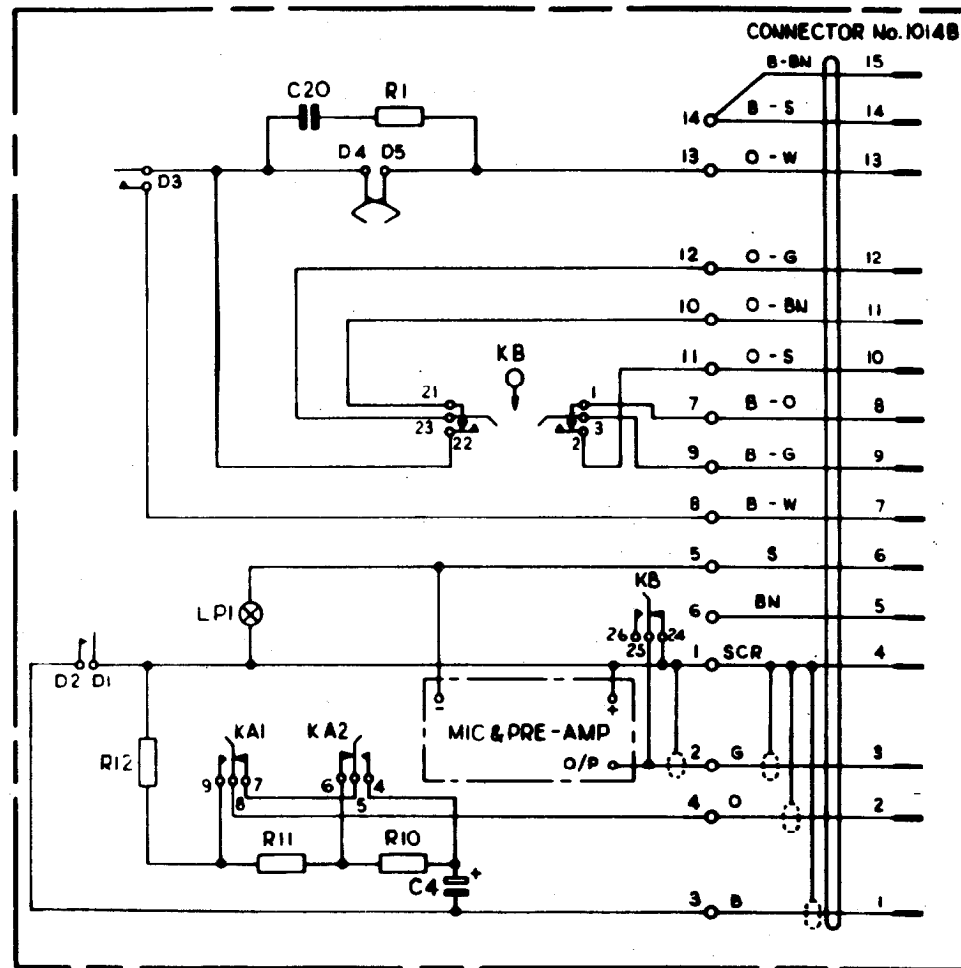


**CONTROL UNIT No.8A MK2**  
**WITH CONNECTOR No.1014B**  
**TABLE TELEPHONE. PART OF LOUDSPEAKING TELEPHONES Nos.1 & 1A**

**N4458**  
**PAGE 1-3**  
**ISSUE B**



CONTROL - UNIT No 8A WITH CONNECTOR No 1014B



**NOTE :-**  
 1. For Loudspeaking Telephones Nos.1 & 1A see Dgms. N4472, N4473.

**REFERENCES:-**  
 T1 C3 B2001 INSTALLATION  
 T1 E5 B2802 MAINTENANCE

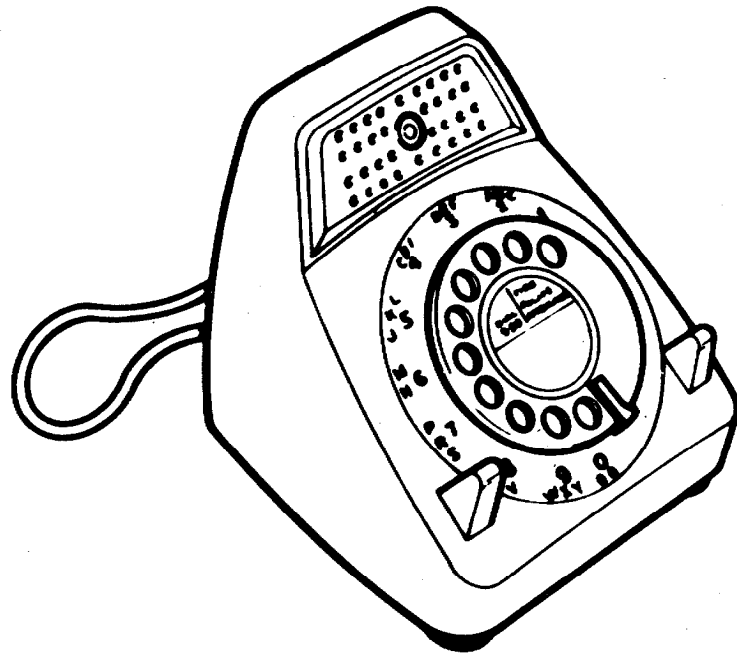
O ELECOMMS QRS OPER:- W ISTN: GENERAL	ISSUE				
		B	NEW FORMAT. MINOR AMENDMENTS. GR	TD7-1-2	22-4-75
		A	NEW FORMAT. PAGE 2 ADDED. C.F.S.		9-2-68

N4458  
PAGE 2  
ISSUE B

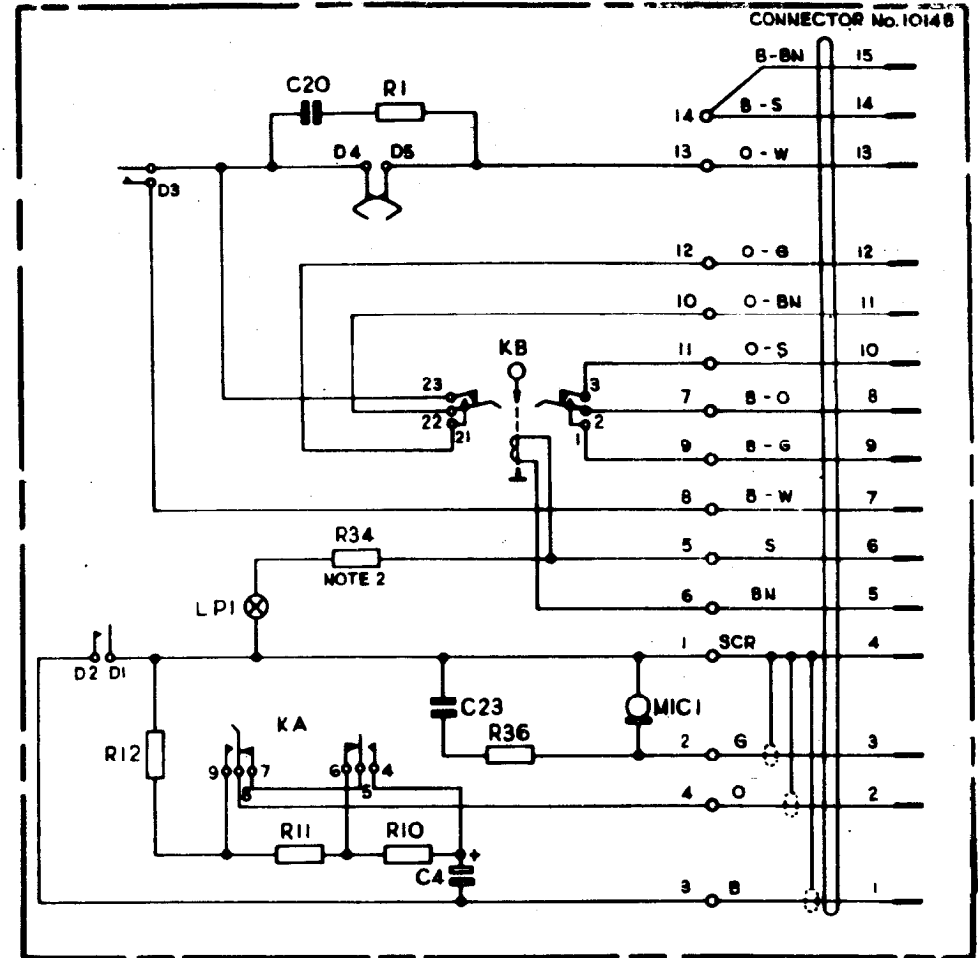
SPARE

**CONTROL UNIT No.8A MKI**  
**WITH CONNECTOR No.1014B**  
**TABLE TELEPHONE PART OF LOUDSPEAKING TELEPHONES Nos.1 & 1A**

**N4458**  
**PAGE 3**  
**ISSUE 8**



**CONTROL - UNIT No.8A WITH CONNECTOR No.1014B**



**NOTES:-**

- 1 FOR LOUDSPEAKING TELEPHONES Nos 1&1A SEE DGMS. N4472 , N4473
- 2. R34 IS NOT FITTED WHEN LAMP No 43A IS USED

**REFERENCES:-**

- T1 C3 B2001 INSTALLATION
- T1 E5 B2802 MAINTENANCE

PO TELECOMMS HQRS PAPER:- Y DISTN:- GENERAL	ISSUE			
		B	NEW FORMAT MINOR AMENDMENT GR	T07-1-2
	A	NEW FORMAT PAGE 2 ADDED CFS		9-2-68