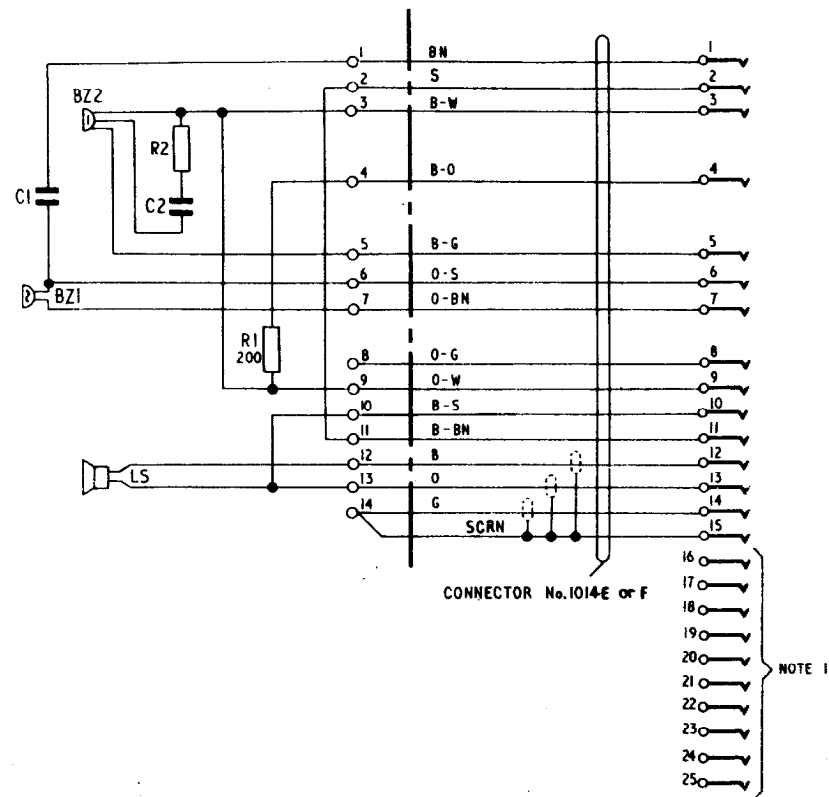
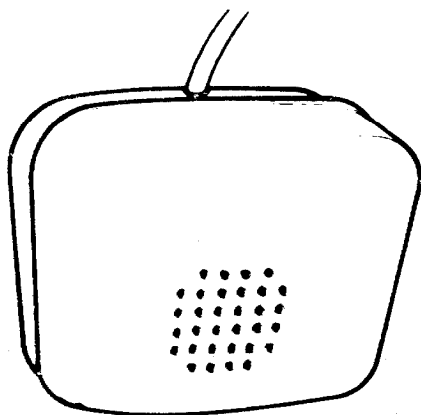


LOUDSPEAKER UNIT No. 5A (PART OF LOUDSPEAKING TELEPHONE No. 3 MK2)  
 AND LOUDSPEAKER No. 5A WITH CONNECTOR 1014E (PART OF LOUDSPEAKING TELEPHONE No. 3 MK1)



REFERENCES :-

Installation T1 C3B2003  
 Maintenance T1 E5B2804  
 Loudspeaking Telephone No.3 Dgm N4474

NOTES :-

1. Jack Points 16 to 25 are spare on Connector No.1014F only.  
 On Connector No.1014E they are not provided
2. The title "Loudspeaker Unit No.5A" was previously  
 "Loudspeaker No. 5A with connector No. 1014 F"

PO TELECOMMS HQRS			
PAPER W	ISSUE		
	A	New format. Minor amendments. Paper was red and distribution was special. Title was Loudspeaking No.5A with Connector No.1014F mfm TD7-1-2	12-11-74