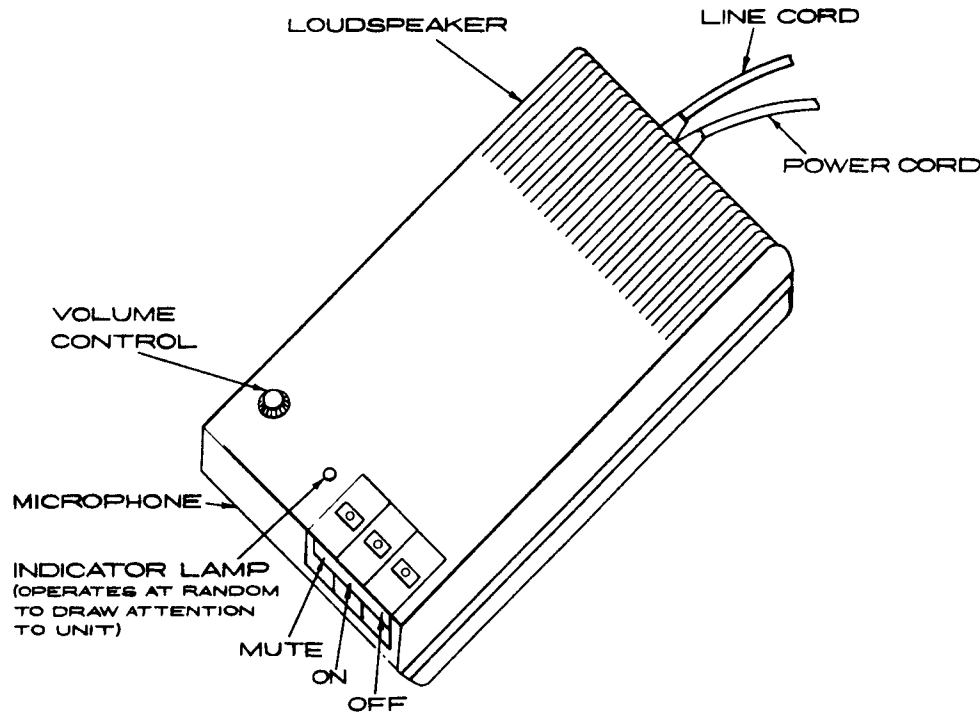


**AMPLIFIER AND LOUDSPEAKER No.11A**  
 USED IN CONJUNCTION WITH EXISTING 700-TYPE INSTRUMENTS TO  
 PROVIDE LOUDSPEAKING TELEPHONE FACILITY



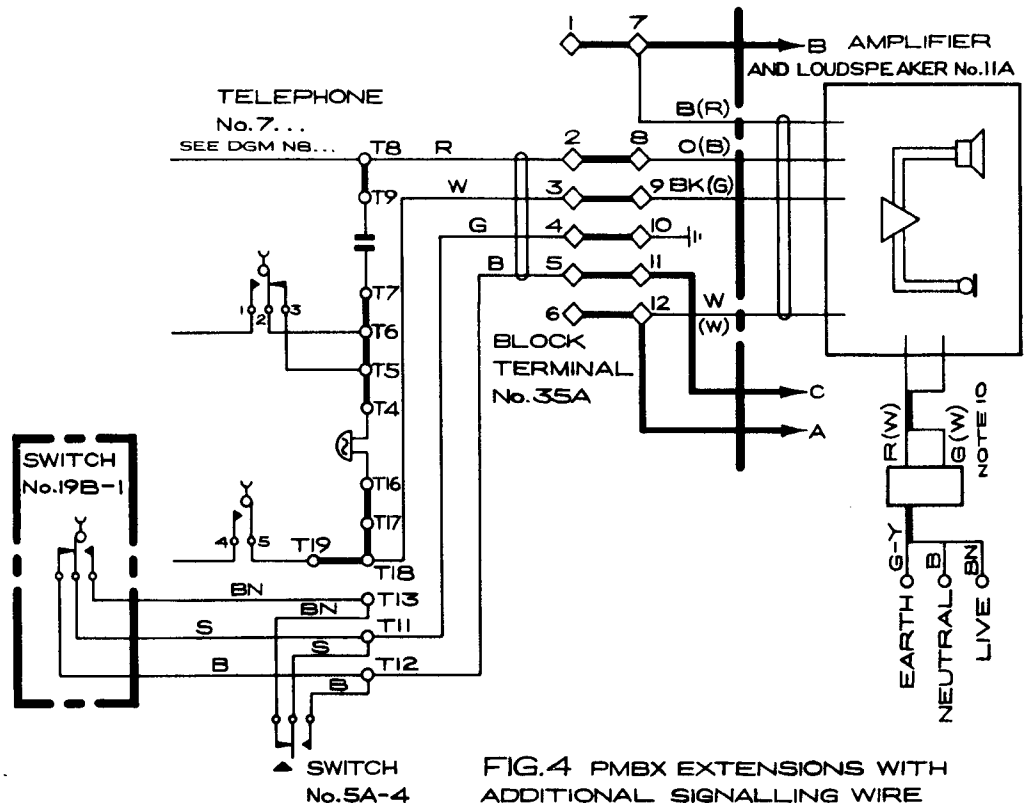
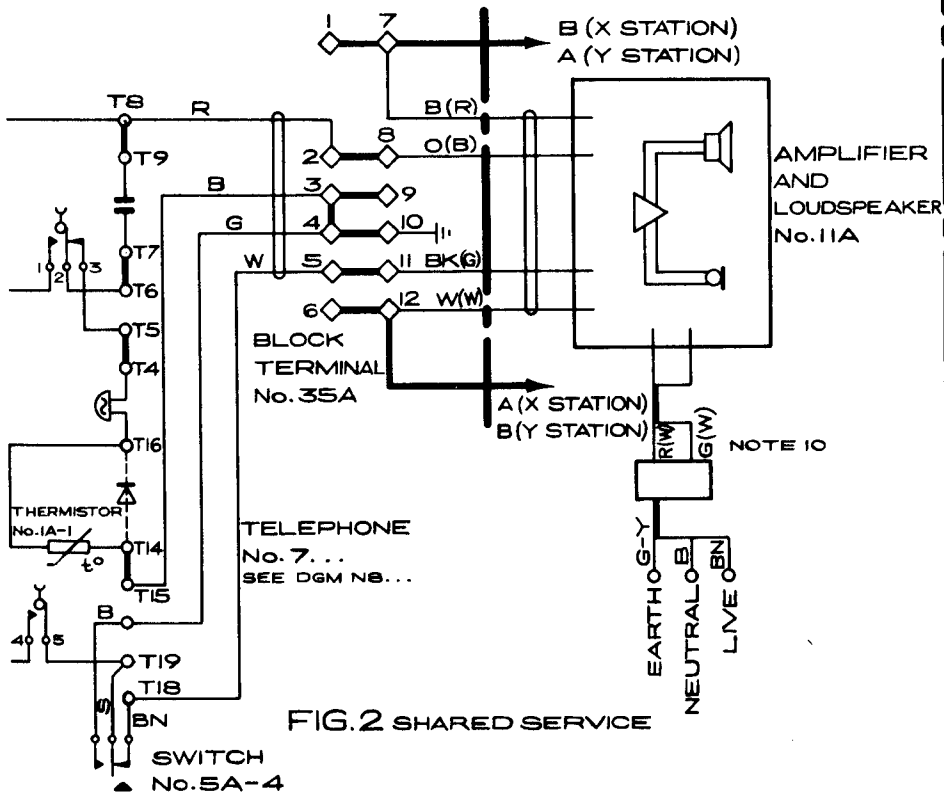
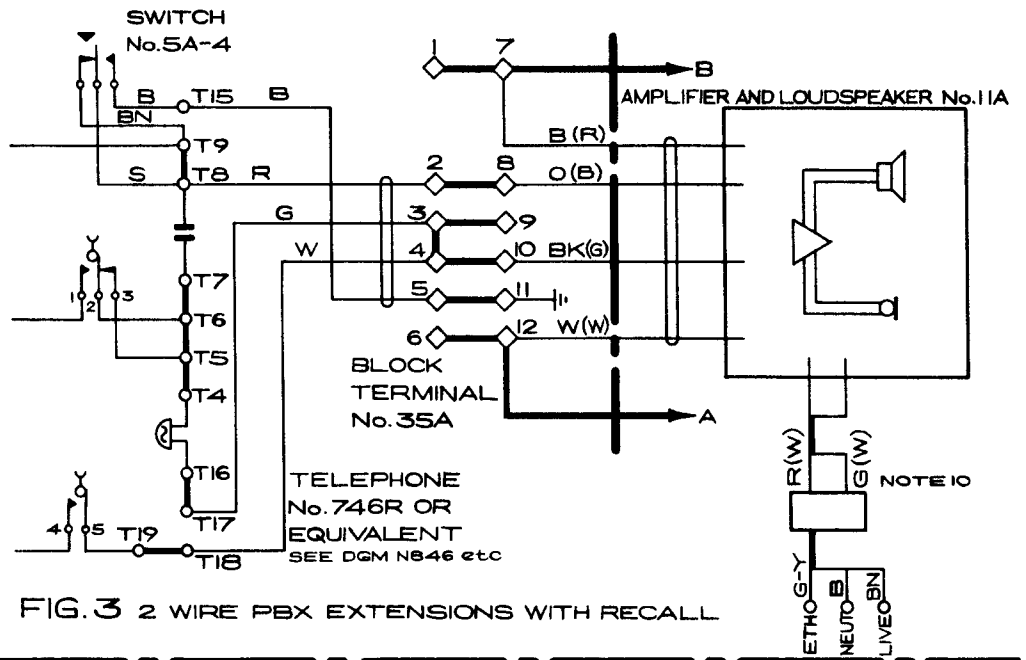
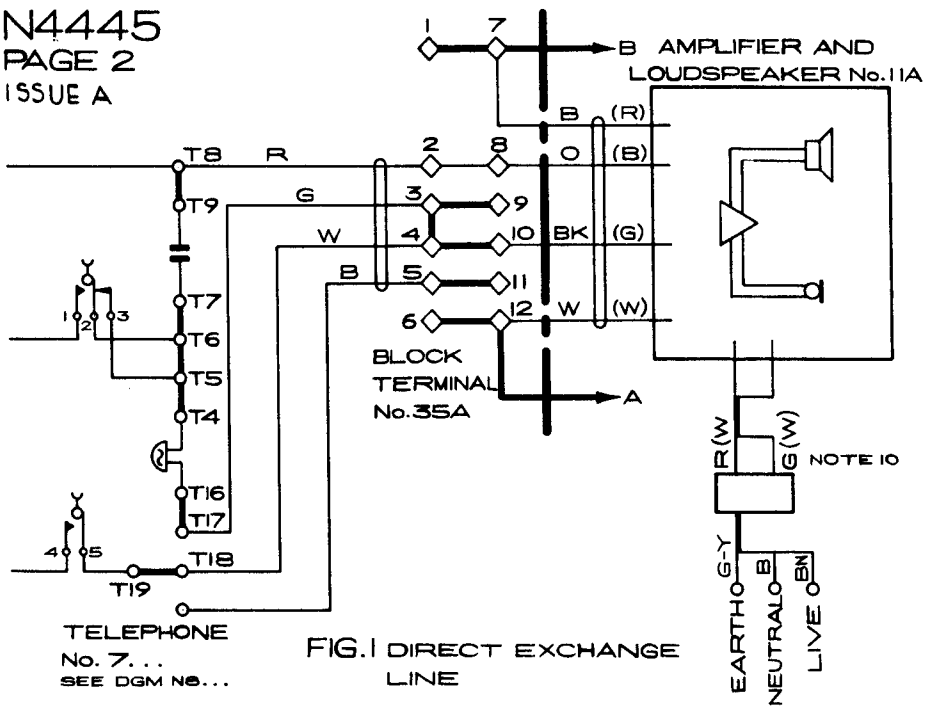
**REFERENCES:-**

INSTALLATION . . . . . TI C3 B2011

**NOTES:-**

- 1 THE TAGS IN WHICH THE AMPLIFIER AND LOUDSPEAKER No.11A LINE CORD IS TERMINATED ARE NOT OF THE CORRECT SIZE TO FIT PO TERMINALS AND CARE SHOULD BE TAKEN IN THEIR CONNEXION.
- 2 FOR WALL-MOUNTING THE WALL-MOUNTING BRACKET SHOULD BE ATTACHED TO THE BASE OF THE UNIT. IT CAN THEN BE SUSPENDED FROM A SCREW FIXED INTO THE WALL.
- 3 FOR OPERATION WITH 'C' WIRE SIGNALLING, PLAN 105/107 MAIN, PLAN 2/2A AND HES INSTALLATIONS, THE HANDSET SHOULD BE LEFT OFF-HOOK AT ALL TIMES DURING A CALL.
- 4 IN SOME INSTALLATIONS A LARGER BLOCK TERMINAL MAY BE REQUIRED TO REPLACE THE EXISTING BLOCK TERMINAL.
- 5 ON PLAN 4 INSTALLATIONS AN AMPLIFIER AND LOUDSPEAKER No.11A CAN BE PROVIDED AS A FIXED INSTRUMENT AT ANY OF THE STATIONS. AN ADDITIONAL BLOCK TERMINAL IS REQUIRED AND SHOULD BE SITED ALONGSIDE THE JACK No.95A.
- 6 ON 2-WIRE PBX'S RECALL IS NOT POSSIBLE WHILE THE AMPLIFIER AND LOUDSPEAKER No.11A IS SWITCHED ON.
- 7 ON PLAN 2A USE TERMINALS 12 AND 13. ON PLAN 2 USE PART 2/DST/836 TO PROVIDE ADDITIONAL TERMINALS.
- 8 AT PLAN 105/107 MAIN, REMOVE STRAPS BETWEEN TERMINALS 8 AND 9 AND BETWEEN TERMINALS 18 AND 19. MOVE ORANGE DIAL CONDUCTOR FROM T8 TO T9. THE CORD OF THE AMPLIFIER AND LOUDSPEAKER No.11A SHOULD BE BROUGHT INTO THE REAR OF THE TELEPHONE No. 706/746 BY REMOVING THE BUSH 1/DBU/199.
- 9 ON HES, REMOVE STRAPS BETWEEN TERMINALS 68 AND 69, 69 AND 70 AND 66 AND 67. FIT A WIRE LINK BETWEEN TERMINALS 68 AND 70. THE CORD OF THE AMPLIFIER AND LOUDSPEAKER No.11A SHOULD BE ROUTED THROUGH THE HOLE NORMALLY USED FOR A WATCH RECEIVER CORD.
- 10 THE POWER SUPPLY USES A.C.THEREFORE THE WIRES TO THE UNIT MAY BE CONNECTED EITHER WAY ROUND.
- 11 ALTERNATIVE COLOURS SHOWN IN BRACKETS.

PO	ISSUE		
TELECOMMS			
HQRS			
PAPER:- W			
DISTN:- GEN			
		A MADE WHITE. NOTES 10-11 AND ALTERNATIVE COLOURS ADDED <i>10/4</i>	22.5.79
		<i>ms</i> <i>M Hansen</i>	TD 7.1.2 1.9.78



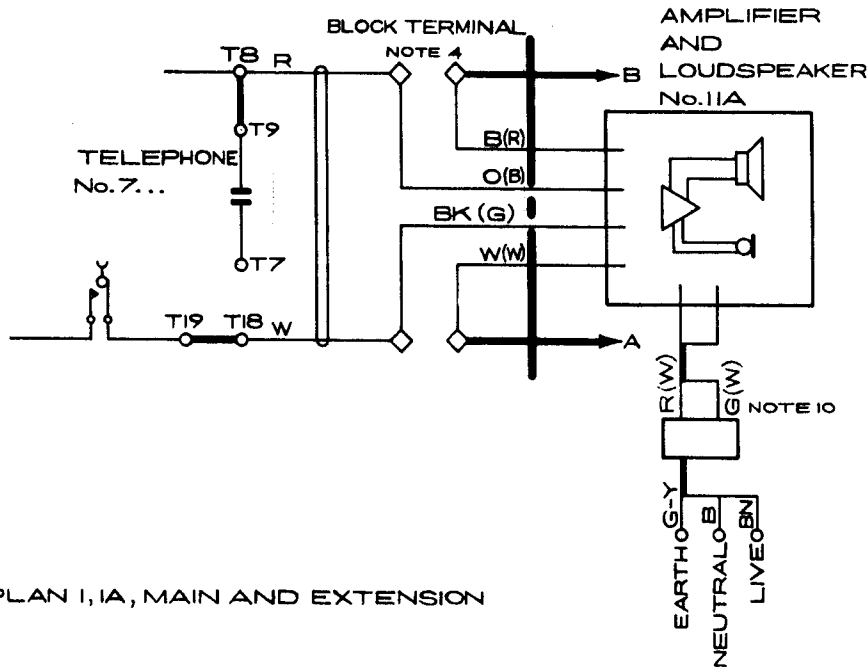


FIG. 5 PLAN 1, 1A, MAIN AND EXTENSION

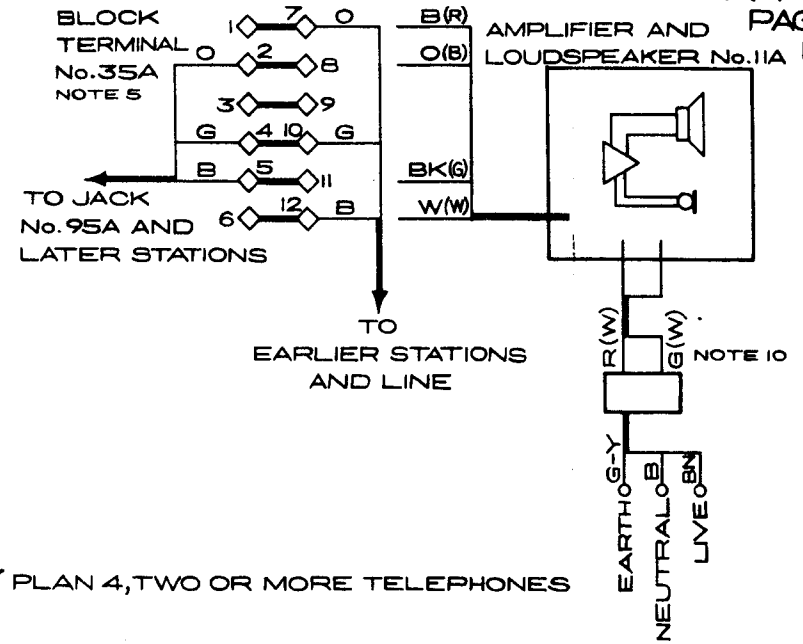


FIG. 7 PLAN 4, TWO OR MORE TELEPHONES

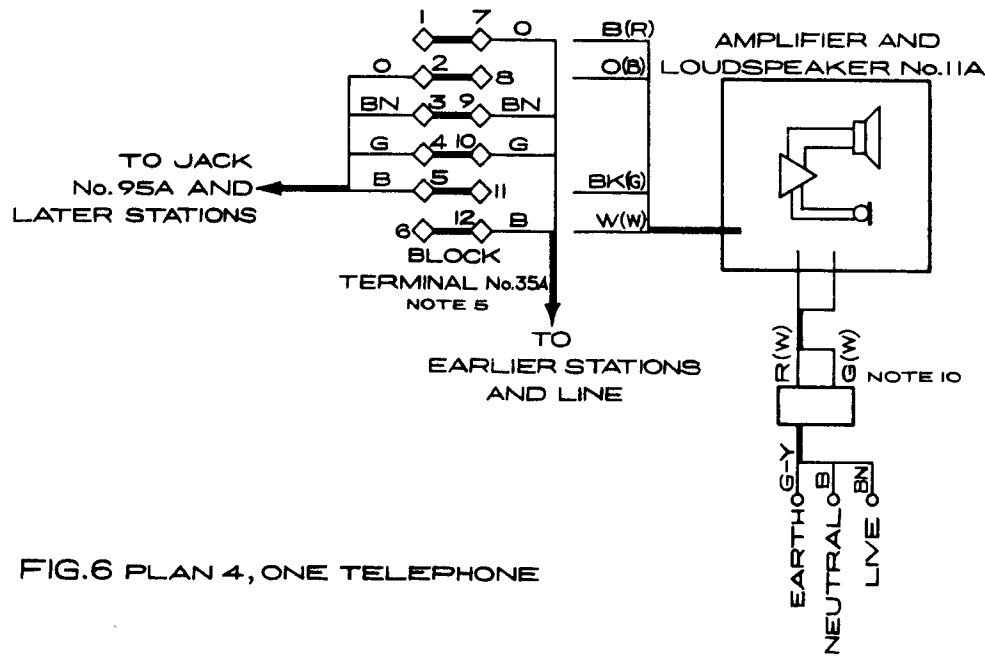


FIG. 6 PLAN 4, ONE TELEPHONE

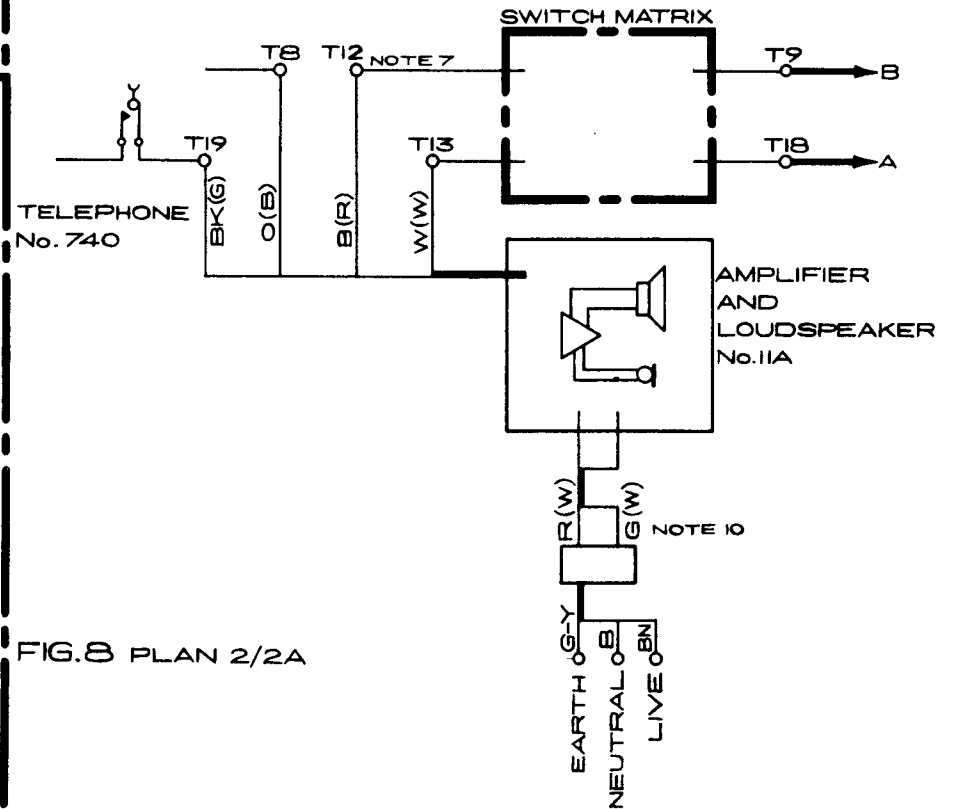


FIG. 8 PLAN 2/2A

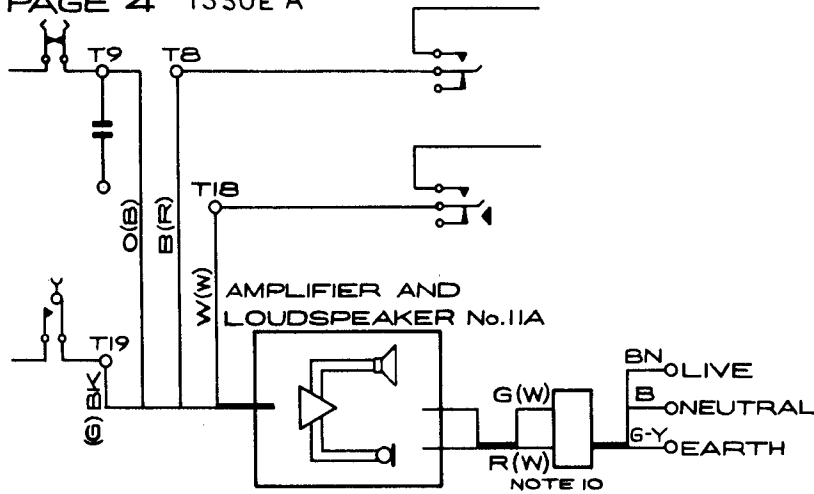


FIG.9 PLAN 105/107, MAIN NOTE 8

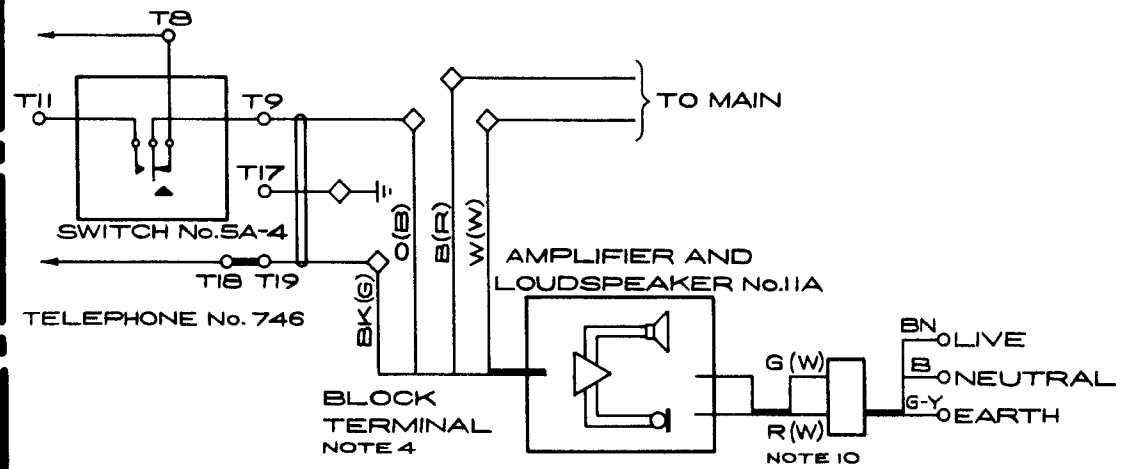


FIG.11 PLAN 105/107, EXTENSION (EXTERNAL)

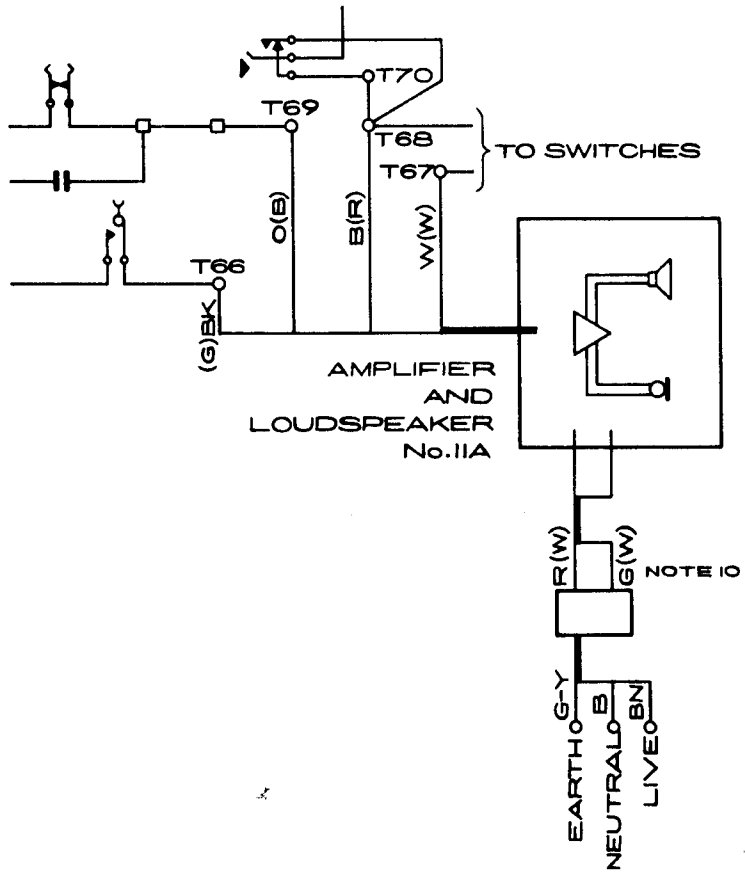


FIG.10 HOUSE EXCHANGE SYSTEM NOTE 9

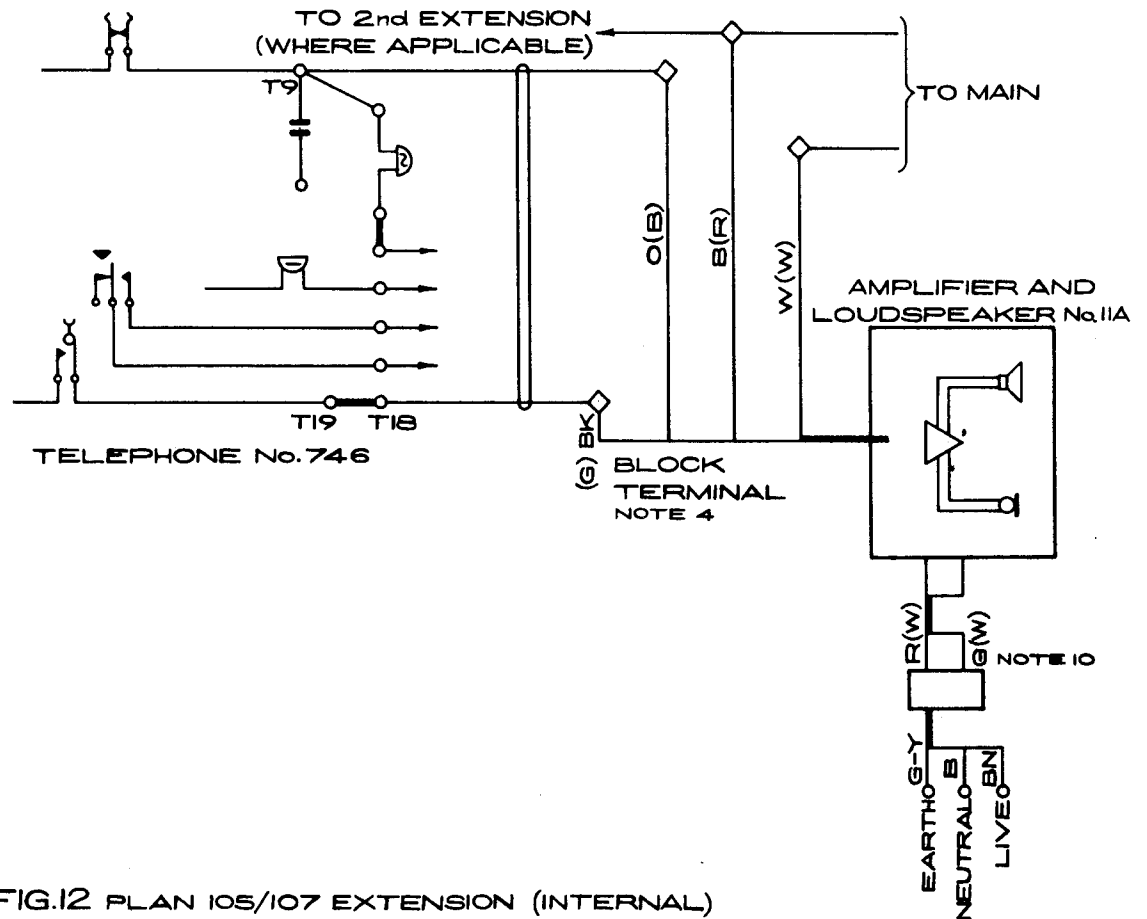


FIG.12 PLAN 105/107 EXTENSION (INTERNAL)