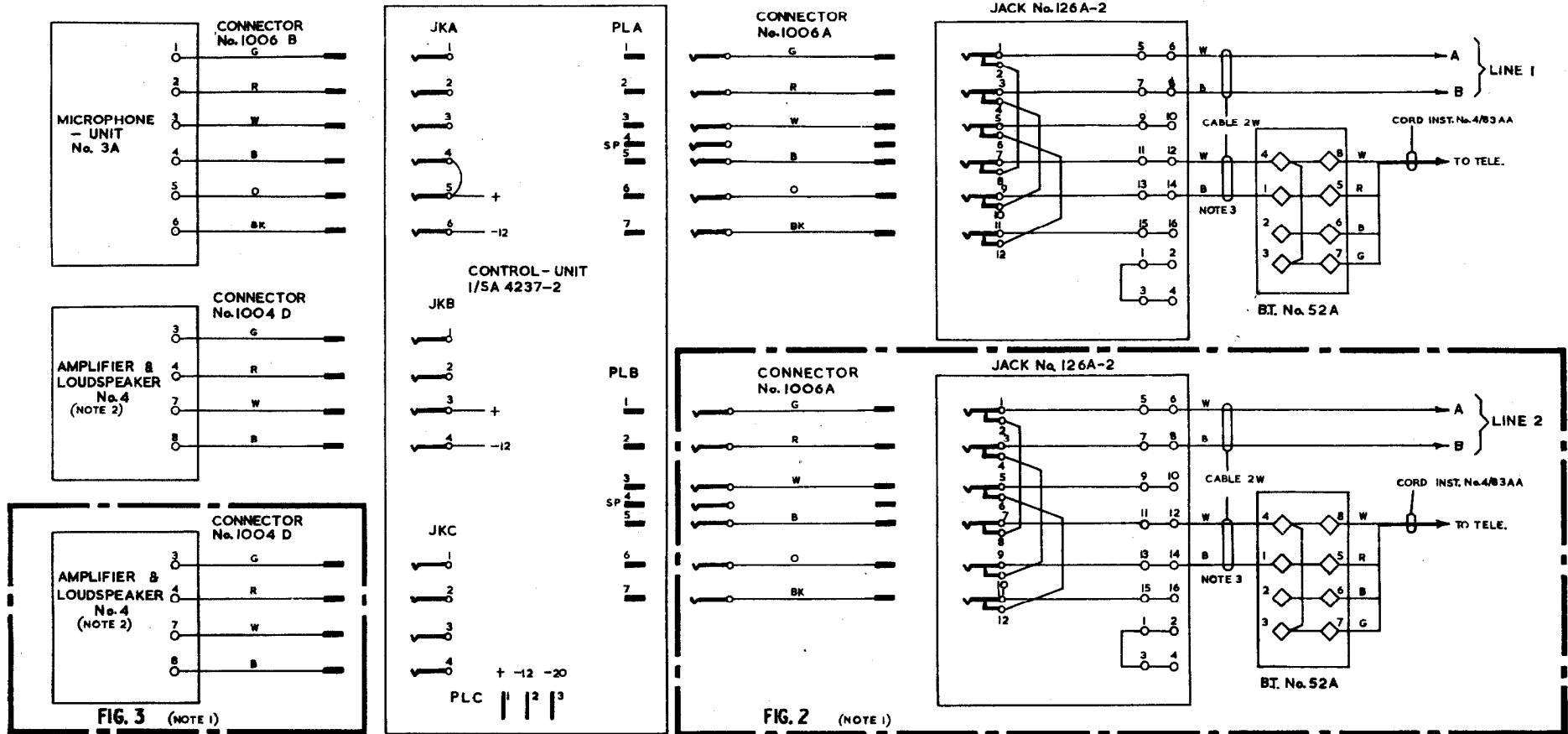


CONFRAPHONE™ LOUDSPEAKING GROUP CONFERENCE SYSTEM

FIG. 1 SINGLE LINE WORKING



R.O. TELE COMMS. HQRS.			
PAPER - W. CIRCLTN :- GENERAL	ISSUE		
	A	REDRAWN FIGS. 2-6 ADDED, NOTES 2-5 ADDED.	27. 8. 69.
	J.S. GORE L.E.S.	TD 2.3.2 SECTION	31. 12. 68

NOTES:-

1. (a) FIG.1 shows connexions for Single line working, when Two line working is required connect as FIGS.1&2. If an additional Loudspeaker is required add FIG.3.

(b) FIGS.4&5 shows the wiring for one Jack 126A-2 at P.B.X.s. For Two Line working, wire second Jack similarly. Connect other items as in (a) above.

2. Apparatus required for Confraphone :-

(a) Single line working (FIG.1).

Control Unit SA4237-2

Microphone Unit No.3A

Amplifier & Loudspeaker No.4(A&LS4)

Power Unit No.73B

Jack No.126A-2

Connector No.1003E

Connector No.1006A

Connector No.1006B

Connector No.1004D

Terminate the tags of the Connector No.1006B to the Microphone Unit No.3A as shown. Modify the A & LS. No.4 by removing the lamp and strapping KAI-3, KA21-23, KA24-25 and terminate the Tags of the Connector No.1004D as shown.

(b) Two Line working (FIG.2).

As for (a) but with the following additional items:-

Jack No.126A-2

Connector No.1006A

(c) Additional Loudspeaker (FIG.3)

As for either (a) or (b) but with the following:-

A & LS. No.4

Connector No.1004D

3. (a) The Confraphone Jacks must precede any equipment (i.e. telephones, extension plan, repertory dials, etc.) on exchange or P.B.X. extension pairs.

(b) Confraphone Jacks should only be provided where there is a nearby mains power point for the Power Unit 73B.

(c) The most suitable lines for the Confraphone are these terminated on any single telephone or one of Plan Nos 1A, 2, 4, 7, 7A, 9, 107, or 107A.

4. Cord Flexible 250/440 P.V.C. 3 core 0.0006 sq.in. and BS. 3-pin Plug to suit, to be requisitioned separately and fitted locally. The new international colours are shown in brackets. For further details see Dgm SA4238.

5. Strap the mains protective earth to the Telephone signalling earth in the Power Unit.

6. Remove the strap between terminals 12-13 and replace between 11-13 on the top board of the amplifier in the Microphone Unit 3A.

FIG. 4 2-WIRE P.B.X. EXTENSIONS WITH RECALL

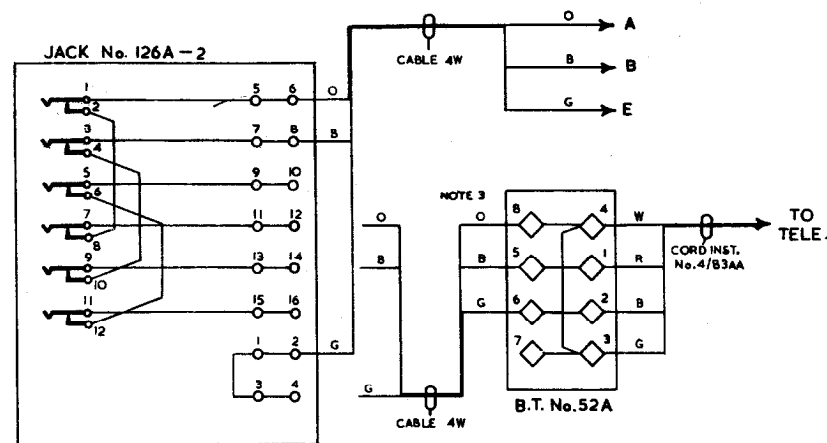


FIG. 5 P.M.B.X. WITH ADDITIONAL SIGNALLING C-WIRE

