

AMPLIFIER AND LOUDSPEAKER No.5
SUBSCRIBER'S WAITING AMPLIFIER FOR USE IN AUTOMATIC AND
C.B. AREAS.

AUTOMATIC AND C.B. AREAS : DEL

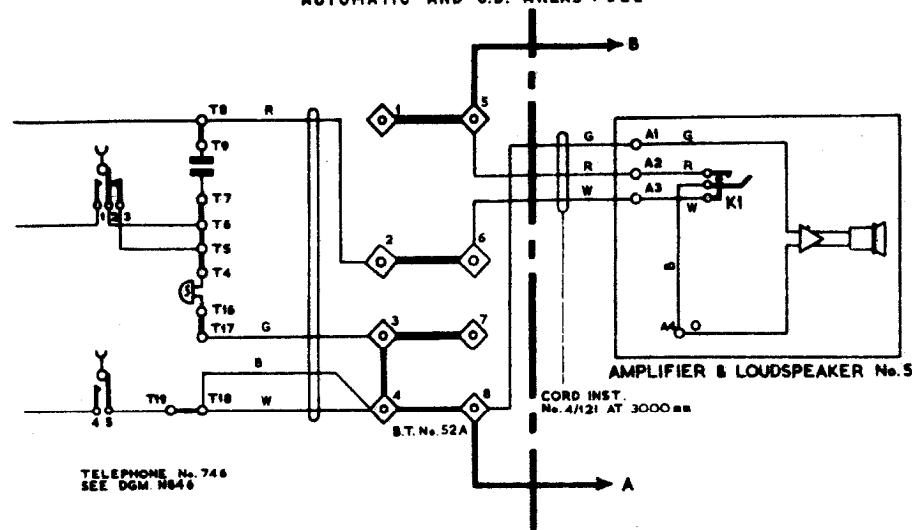


FIG. 1

AUTOMATIC AREAS, SHARED SERVICE

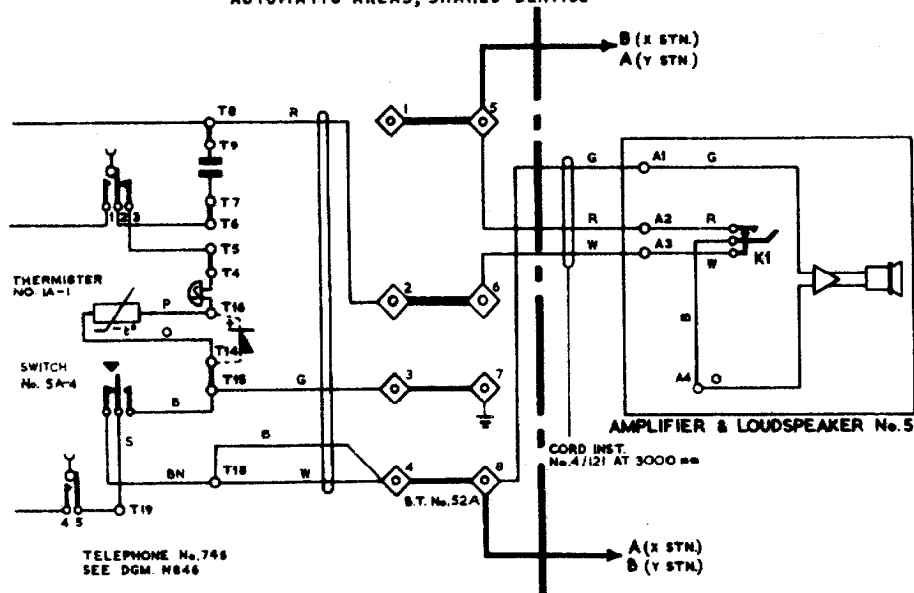
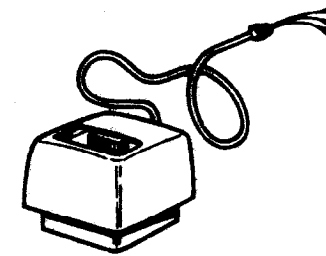


FIG. 2



2-WIRE P.B.X. EXTENSIONS WITH 'EARTH LOOP' RECALL

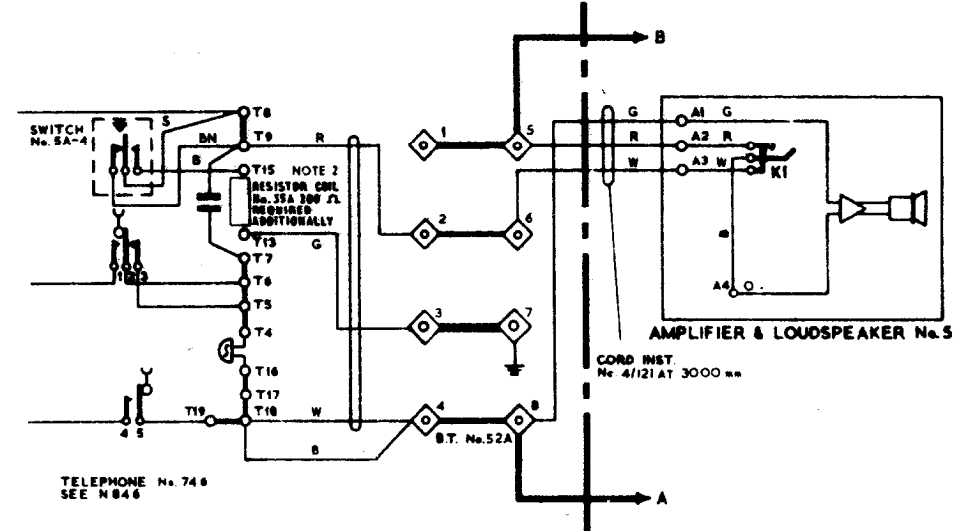


FIG. 3

REFERENCE

T1 C3 M1060 Installation and maintenance.

NOTES 1 The line current must be at least 30mA for successful operation and must not exceed 90mA see T1 C3 M1060.

2 If exchange signalling difficulties are experienced the Resistor Coil No. 35A, 200Ω, may be removed.

P.O.T.D.D. T.D. 1.5.3			
PAPER : W CIRCULATION GENERAL	ISSUES	C	Block terminals renumbered. Minor amendments. Fig. 5 deleted. <i>PFB.</i> 27-2-76
		B	New format <i>ll</i> 8-3-68
		A	Cord inst was No 4/98 at 72. A4 was shown as A5 panel 7 added. 24-6-64
			H. Thwaite 53/3 27-8-63

P.M.B.X. EXTENSIONS WITH ADDITIONAL SIGNALLING C WIRE

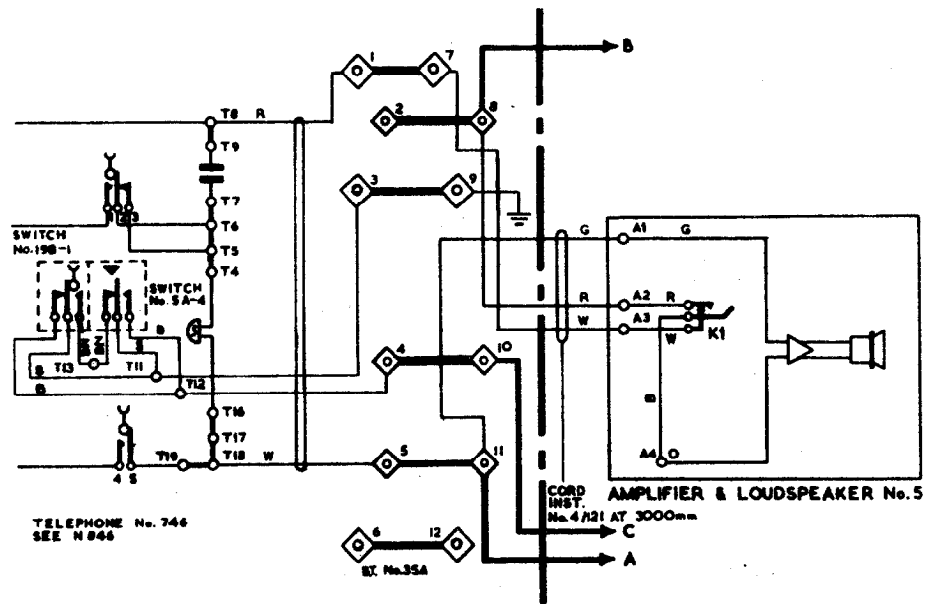


FIG. 4