

NON-P.O. APPARATUS, TYPICAL  
METHODS OF CONNEXION TO  
THE PUBLIC TELEPHONE NETWORK

CONTENTS.

REFERENCES

GENERAL INSTALLATION NOTES

APPARATUS REQUIRED

- FIG 1. Emergency calling devices.
- FIG 2. Emergency calling devices to extension plans 105, 107 and House Exchange Systems 3 & 4.
- FIG 3. Automatic call devices with ring back facility.
- FIG 4. Facsimile, Monitor control equipment etc.
- FIG 5. Recording machines.
- FIG 6. Recording machines with remote start facility.
- FIG 7. Telephone answering and recording machines. Parallel ringing detection circuit.
- FIG 8. Telephone answering and recording machines to four wire extensions. Parallel ringing detection circuit.
- FIG 9. Telephone answering and recording machines. Series ringing detection circuit.
- FIG 10. Telephone answering and recording machines to four wire extensions. Series ringing detection circuit.
- FIG 11. Telephone answering and recording machines to shared service or potential party lines. Parallel ringing detection circuit.
- FIG 12. Telephone answering and recording machines to shared service or potential party lines. Series ringing detection circuit.
- FIG 13. Telephone answering and recording machines by a diversion switch to extension plans and house exchange systems.

P.O. TELECOMMS H.Q. PAPER:- W CIRC'LTN:- GENERAL	ISSUE		
		<i>Phakhorat MKD/MK 1-2-1</i>	<i>18-10-68</i>

## REFERENCES.

General information and list of approved attachments.	Teles. Stns. G.3100.
Emergency calling devices.	Teles. Stns. G.3105.
Recording machines.	Teles. Stns. G.3101.
Telephone answering and recording machines and the more complex attachments. E. Is in the series.	Teles. Stns. G.31...

## GENERAL INSTALLATION NOTES.

- A. For four changeover actions the KEY No. 1301 in a Key Mounting TB Grey should be used, but the equivalent pre-1000 type key in Key Mounting NAA may be used if more readily available.
- B. All connexions to the P.O. connexion point should be made by a P.O. officer, this point defines the limit of P.O. installation and maintenance responsibility beyond which no work should be undertaken.
- C. If necessary instrument cords and terminal blocks should be changed to effect the connexion.
- D. Where the Jack No. 95A and Plug No. 420 are used, the speech pair is connected to spring numbers 2 & 3, and the supervisory connexions to spring numbers 1 & 4. Earlier connexion sketches may use different spring numbering.
- E. The part number quoted is particular to the Telephone No. 706. For different telephones the appropriate auxilliary unit should be used.

## APPARATUS REQUIRED.

- FIG 1. Small terminal block.
- FIG 2. Small terminal block, Bell Set No. 26 and Switch No. 2 A.
- FIG 3. Small terminal block.
- FIG 4. Key No. 1301, Key Mounting TB Grey.
- FIG 5a. Jack No. 95 A.
- FIG 5b. Switch No. 2 A.
- FIG 6a. Jack No. 95 A, appropriate auxilliary unit.
- FIG 6b. Key No. 1301, Key Mounting TB Grey and appropriate auxilliary unit.
- FIG 7a. Jack No. 95 A.
- FIG 7b. Switch No. 2 A.
- FIG 8a. Jack No. 95 A.
- FIG 8b. Key No. 1301 and Key Mounting TB Grey.
- FIG 9a. Jack No. 95 A.
- FIG 9b. Key No. 1301 and Key Mounting TB Grey.
- FIG 10. Key No. 1351 and Key Mounting TB Grey.

Continued.

FIG 11a. Jack No. 95 A.

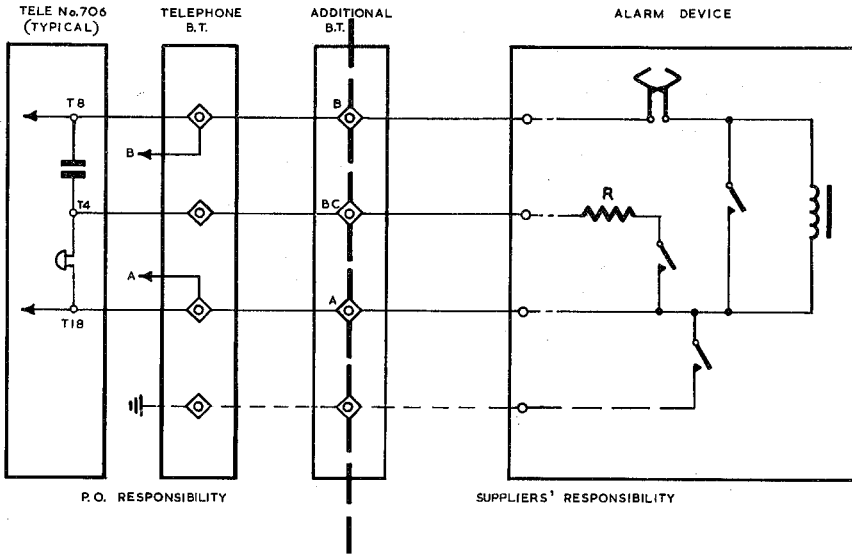
FIG 11b. Key No. 1301 and Key Mounting TB Grey.

FIG 12a. Jack No. 95 A.

FIG 12b. Key No. 1301 and Key Mounting TB Grey.

FIG 13. Switch No. 2 A, Bell Set No. 26 plus Figs. 7 to 10 as appropriate.

FIG.1 CONNEXION OF EMERGENCY CALLING DEVICES.



NOTE :- The dotted connexion is for earth calling circuits only. eg. PABX direct night service lines.

FIG.2 CONNEXION OF EMERGENCY CALLING DEVICE TO EXTENSION PLANS 105, 107 AND HOUSE EXCHANGE SYSTEMS 3&4.

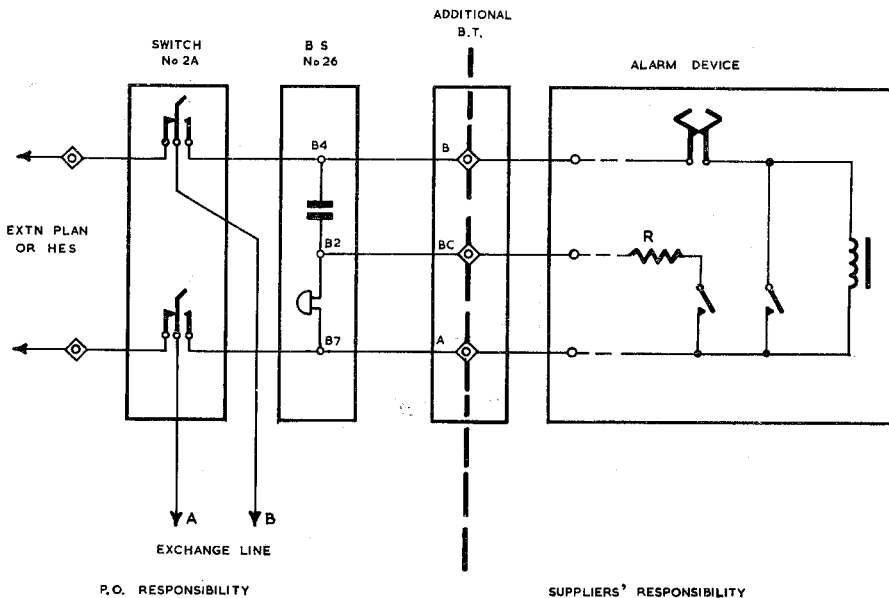


FIG.3 CONNEXION OF AUTOMATIC CALL DEVICES WITH RING BACK FACILITY.

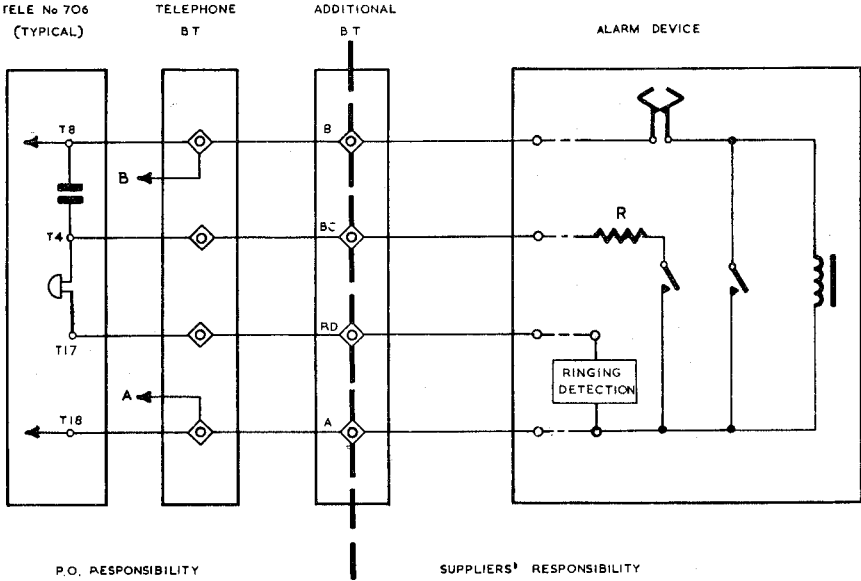
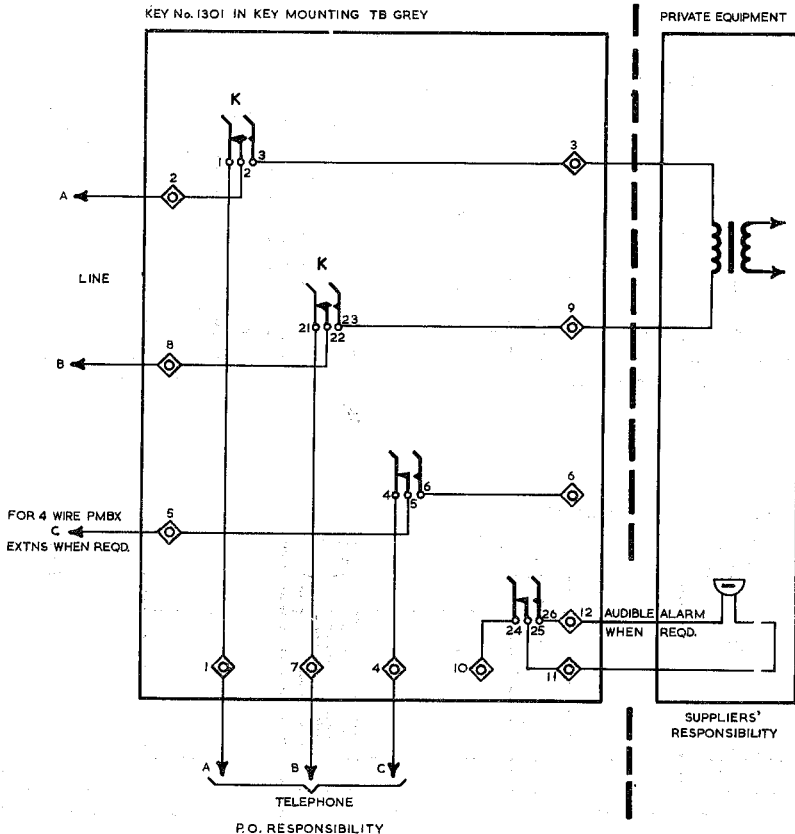


FIG.4 CONNEXION OF FACSIMILE, MONITOR CONTROL EQUIPMENT ETC.



NOTE :- This type of connexion is used when line switching is required after the telephone call has been established.

FIG.5 CONNEXION OF RECORDING MACHINES.

FIG.5a USING JACK No.95A

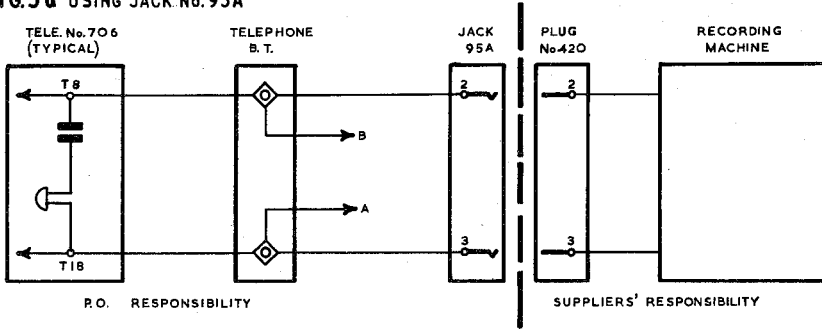
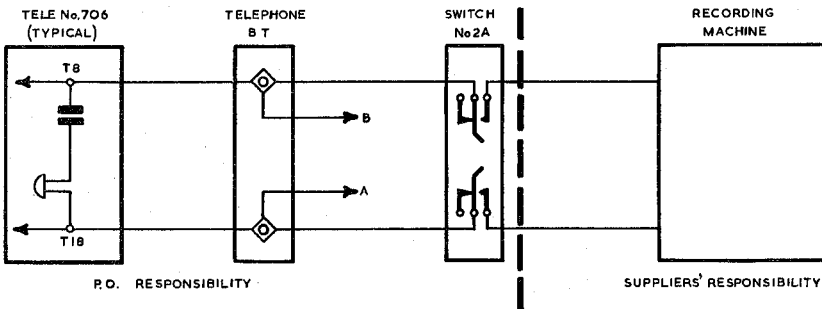


FIG.5b USING SWITCH No. 2A



NOTE:- Most approved recording machines are connected to line via a coupling unit supplied with the machine, but there are exceptions.



FIG.6 CONNEXION OF RECORDING MACHINES WITH REMOTE START FACILITY

FIG.6a USING JACK No.95A

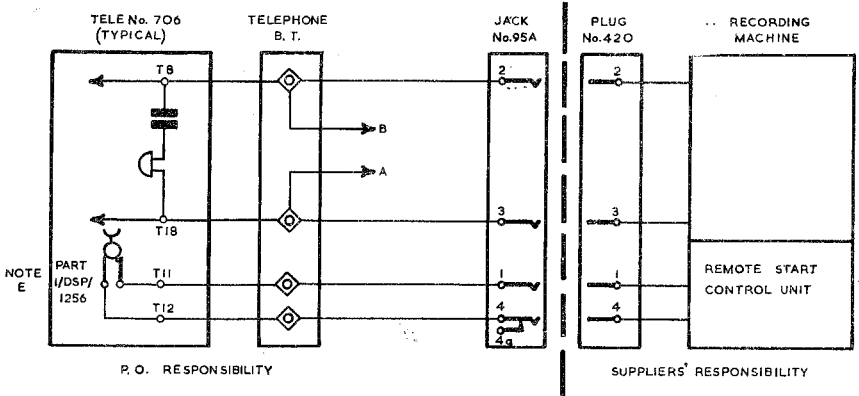


FIG.6b USING KEY No.1301 IN KEY MOUNTING TB GREY

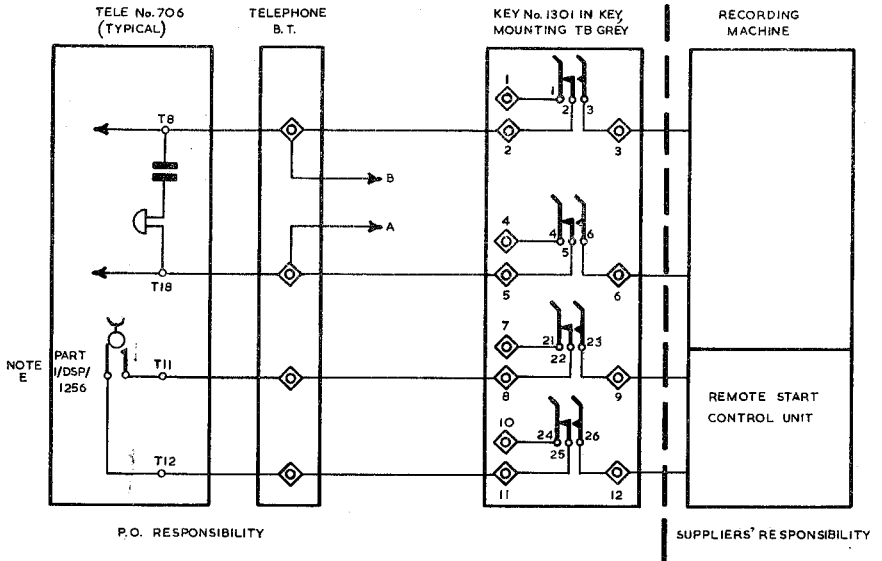


FIG.7 CONNEXION OF TELEPHONE ANSWERING AND RECORDING MACHINES. PARALLEL RINGING DETECTION CIRCUIT.

FIG.7a USING JACK No. 95A

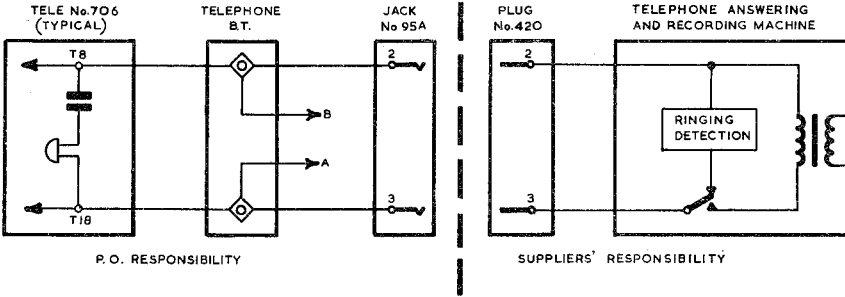


FIG.7 b USING SWITCH No. 2A

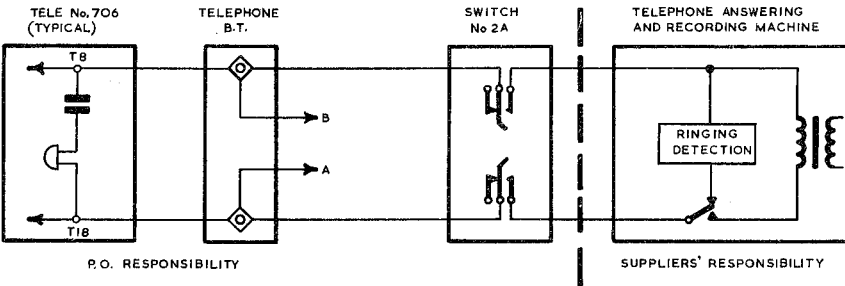


FIG. 8 CONNEXION OF TELEPHONE ANSWERING AND RECORDING MACHINES TO FOUR WIRE EXTENSIONS. PARALLEL RINGING DETECTION CIRCUIT.

FIG. 8 a USING JACK No.95A

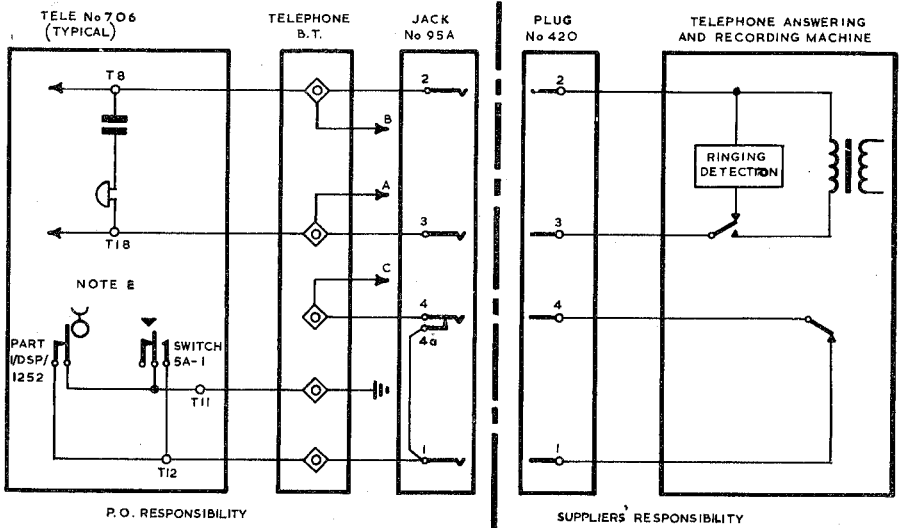


FIG. 8 b USING KEY No.1301 IN KEY MOUNTING TB GREY.

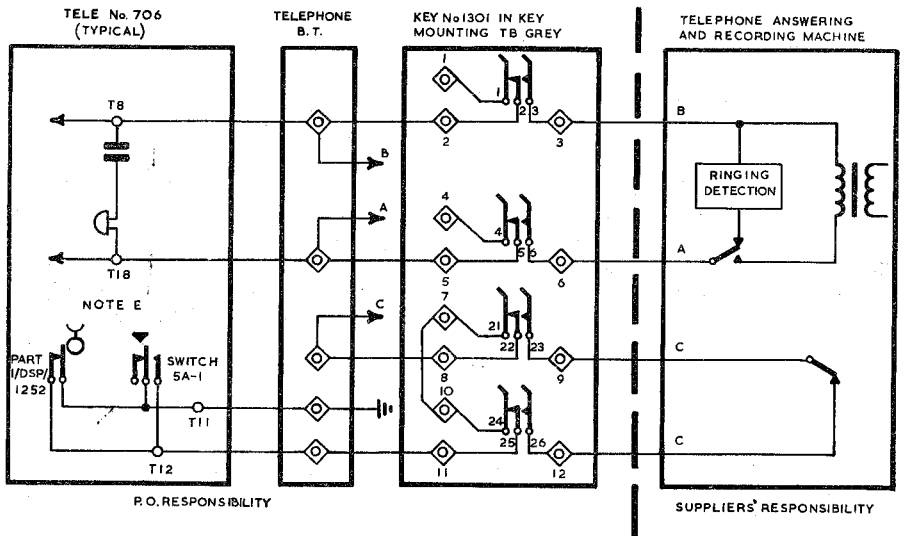


FIG.9 CONNEXION OF TELEPHONE ANSWERING AND RECORDING MACHINES. SERIES RINGING DETECTION CIRCUIT.

FIG.9a USING JACK No.95A

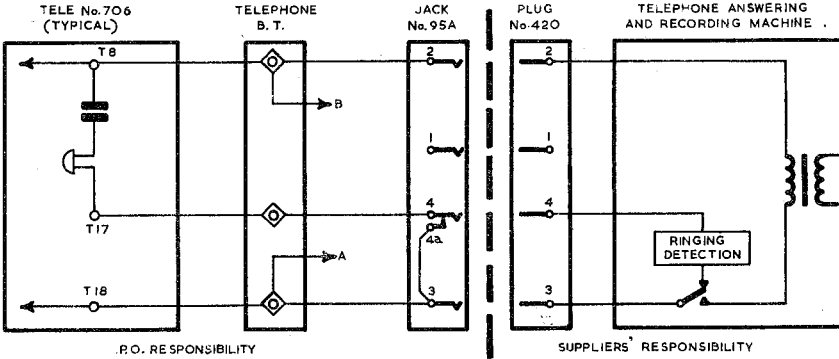


FIG.9b USING A KEY No.1301 IN KEY MOUNTING TB GREY.

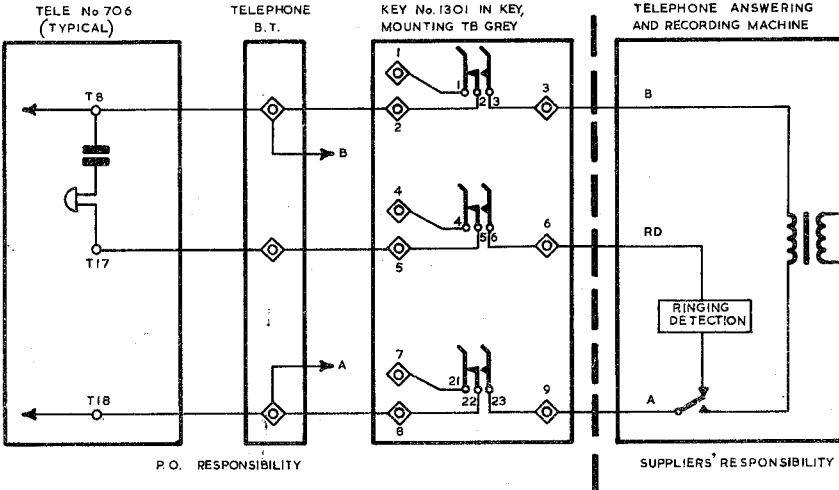
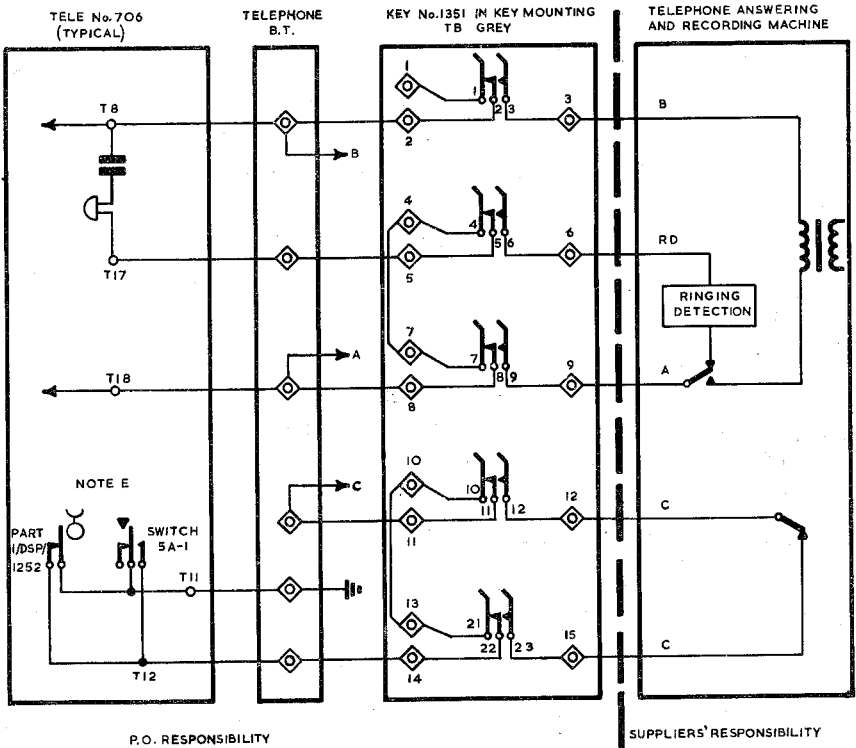


FIG.10 CONNEXION OF TELEPHONE ANSWERING AND RECORDING MACHINES TO FOUR WIRE EXTENSIONS. SERIES RINGING DETECTION CIRCUIT.



NOTE:- A suitable jack is not available for the alternative plug and jack connexion.

FIG.11 CONNEXION OF TELEPHONE ANSWERING AND RECORDING MACHINES TO SHARED SERVICE OR POTENTIAL PARTY LINES. PARALLEL RINGING DETECTION CIRCUIT.

FIG.11a USING JACK No 95A

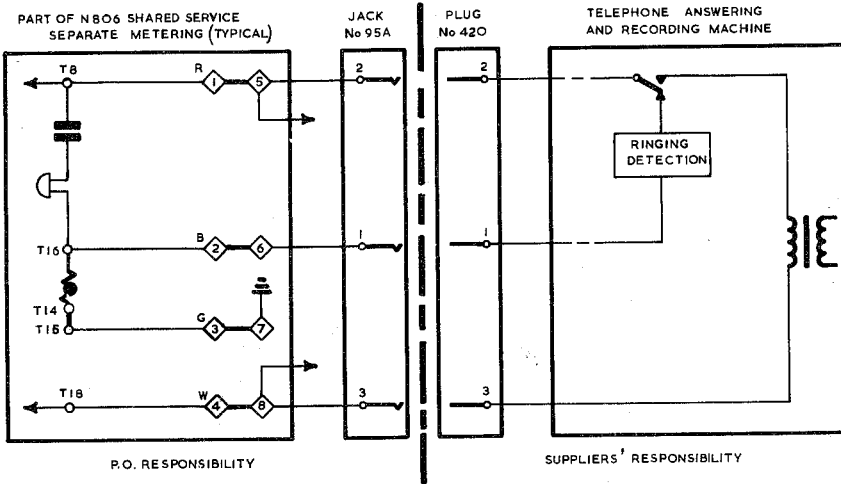
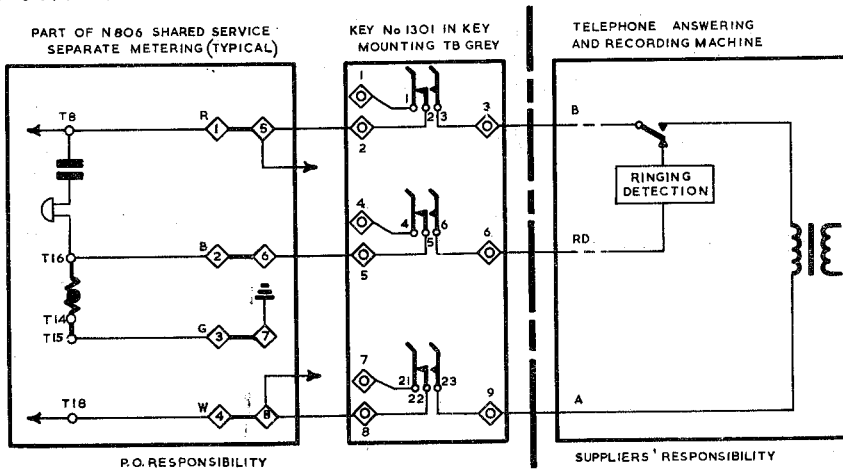


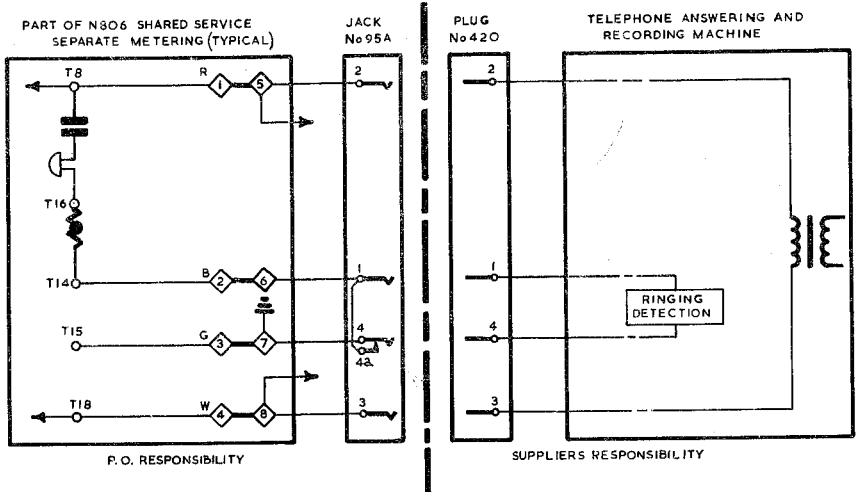
FIG.11b USING KEY No 1301 IN KEY MOUNTING TB GREY.



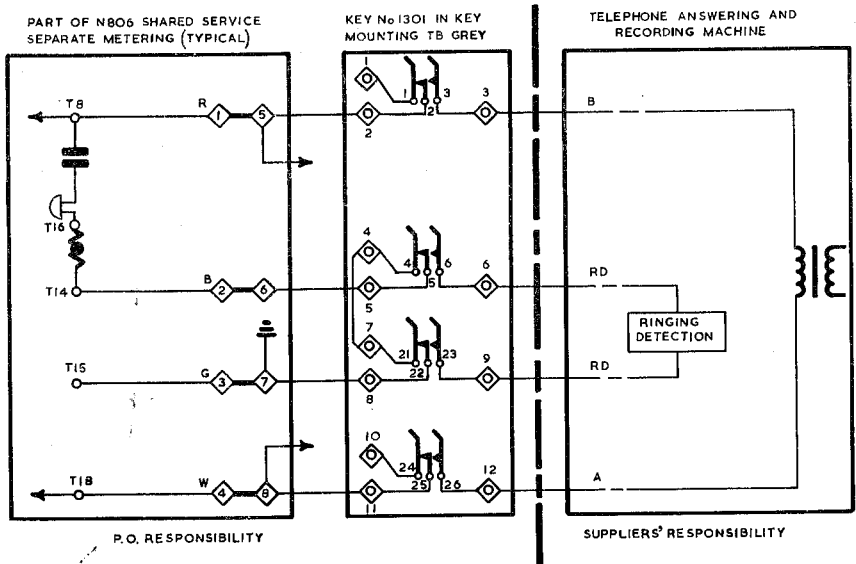
NOTES:- If this type of machine is connected to a potential party line, connect the Jack No.95A (or Key No.1301) to the telephone B.T. as shown. The telephone will be connected to the B.T. as for a DEL., B.T. 2,3 and 4 must be strapped together. Upon conversion to shared service the Jack No.95A or Key No.1301 connexions are unchanged. Remove strap B.T. 2-3, insert strap T14-T15, transfer line cord blue lead from T14 to T16.

**FIG. 12** CONNEXION OF TELEPHONE ANSWERING AND RECORDING MACHINES TO SHARED SERVICE OR POTENTIAL PARTY LINES. SERIES RINGING DETECTION CIRCUIT.

**FIG. 12 a** USING JACK No.95A

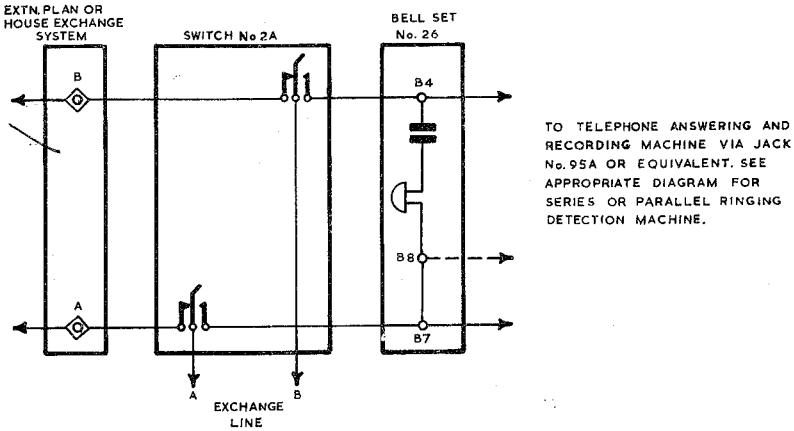


**FIG. 12 b** USING KEY No.130I AND KEY MOUNTING TB GREY.



NOTE:—If this type of machine is connected to a potential party line, connect jack springs 1 and 4 (or key springs 5 and 22) to BT.7 and 8 and remove strap 3-4. The telephone will be connected to the B.T. as for a D.E.L. (N806 Fig.1). Upon conversion to shared service connect the Jack No.95A (or Key No.130I) to telephone B.T. as shown.

FIG.13 CONNEXION OF TELEPHONE ANSWERING AND RECORDING MACHINE BY A DIVERSION SWITCH TO EXTENSION PLANS AND HOUSE EXCHANGE SYSTEMS.



NOTE :- This form of connexion is used to connect machines without the high/low impedance switching facility to extension plans etc.