

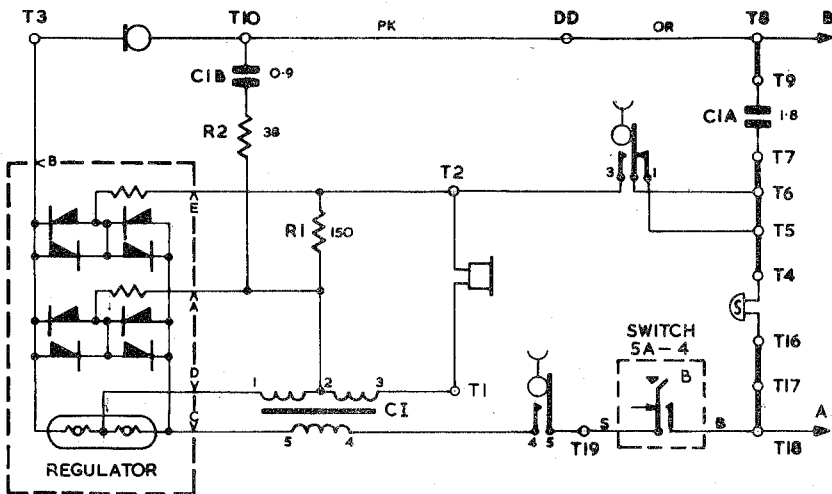
EXCHANGE FIRE TELEPHONE V.F. REMOTE SYSTEM A

N4405

APPARATUS

TELEPHONE No. 711CB
 HANDSET No. 3 RED
 DIAL AUTO DUMMY No. 7 RED
 PART 1/DCO/659 RED (NRB)
 PART 1/DBU/269 IVORY, ENGRAVED 'PRESS' (11A) OF SDI FILLED RED)
 2 PARTS 1/DBU/268 BLACK
 PART 1/DFR/107
 SWITCH No. 5A-4
 CORD INSTRUMENT No. 4/89AK RED 10"

RECOVER EXISTING HANDSET FROM TELEPHONE No. 711. FIT RED HANDSET AND CORD. FIT SWITCH 5A-4 IN POSITION B OF PART 1/DFR/107. FIT PART 1/DBU/269 BRIDGING PLUNGERS OF POSITIONS B AND C, PARTS 1/DBU/268 TO PLUNGERS OF POSITIONS A AND D. A SMALL COLLET CAN BE MADE FROM A 3/16" LENGTH OF CABLE PVC. THIS WHEN SLIPPED OVER THE OPERATING PLUNGERS OF A AND D, BEFORE THE BUTTONS ARE FITTED, WILL EFFECTIVELY PREVENT THESE BUTTONS FROM MOVING. LATCHES B AND C OF PART 1/DFR/107 SHOULD BE AT SETTING 1, ADJUST LATCHES OF A AND D TO SETTING 3 AND LATCHES X AND Y TO SETTING 4 (DGM N 848). FIT THE COMPLETED SWITCHING UNIT INTO THE TELEPHONE. CONNECT AS SHOWN BELOW. FIT RED DUMMY DIAL AND COVER.



TELEPHONE No. 711

PO.E.D.
S. BCH.

PAPER:- R
CIRCULATION:-
SPECIAL

ISSUE

MCA

2.11.65.