
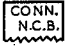


FACILITIES

DIALLING INTO THE PUBLIC NETWORK IS ONLY PERMITTED FROM THE P.O. EMERGENCY TELEPHONE. IN AN EMERGENCY, BY OPERATING PRESS BUTTON A ("CONN. E/L") AN EXCHANGE LINE ASSOCIATED WITH THE P.B.X. CAN BE INTERCEPTED TO ENABLE O/G & I/C CALLS TO BE DEALT WITH AT THE EMERGENCY TELEPHONE. THE PUBLIC EXCHANGE CONNEXION CAN THEN BE EXTENDED (FOR SPEECH ONLY) TO THE N.C.B. INSTALLATION VIA THE ISOLATING TRANSFORMER BY OPERATING PRESS BUTTON D ("CONN. N.C.B."). THE EMERGENCY TELEPHONE IS USED AS A MONITOR AND ON COMPLETION OF THE CALL, RESTORATION OF THE HANDSET RELEASES PRESS BUTTON D ("CONN. N.C.B.") TO DISCONNECT THE EXCH. LINE FROM THE ISOLATING TRANSFORMER. RESTORATION OF PRESS BUTTON "A" RESTORES THE EXCH. LINE TO THE P.B.X..

NOTES

1. AN ISOLATING TRANSFORMER TO P.O. SPECIFICATION D.1736A MUST ALWAYS BE PROVIDED (BY THE N.C.B.) AS NEAR AS POSSIBLE TO THE P.O. TELEPHONE No. 710... TO PROVIDE PROTECTION FROM THE POSSIBILITY OF POWER CONTACTS ON THE PRIVATE INSTALLATION. THE P.O. SIDE OF THE TRANSFORMER WILL FORM THE LIMIT OF P.O. INSTALLATION & MTCE..
2. APPARATUS REQUIRED :-
 TELEPHONE No. 710...
 PART 1/DST/836
 2 PARTS 1/DSP/1243
 PART 1/DBU/262 TO BE ENGRAVED


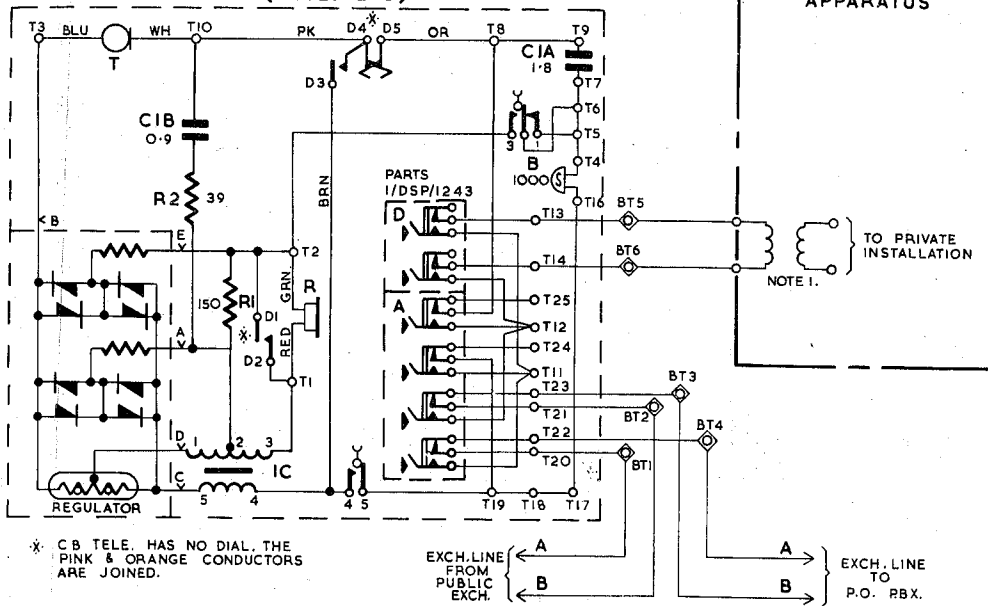
 PART 1/DBU/260 TO BE ENGRAVED


 BLOCK TERMINAL No. 20/8
 CORD INST. No. 6/44AA
3. PART 1/DBU/262 SHOULD BE FITTED WITH PART 1/DSP/1243 IN POSITION 'A'. PART 1/DBU/260 SHOULD BE FITTED WITH PART 1/DSP/1243 IN POSITION 'D'. SPARE LEADS CAN BE TERMINATED ON T15 (SPARE).
4. ADJUST LATCH OF "A" SETTING 3; LATCHES "X" & "Y" SHOULD BE IN POSITION 4 TO GIVE GRAVITY SWITCH RESTORATION OF "D".
5. SEE DGMS. N 810, 848 & 849.

N4402

5 PANELS-4

P.O. EMERGENCY TELEPHONE No. 710...
(NOTES 2-3)



* CB TELE. HAS NO DIAL. THE PINK & ORANGE CONDUCTORS ARE JOINED.

N.C.B. APPARATUS

TO PRIVATE INSTALLATION
NOTE 1.

EXCH. LINE FROM PUBLIC EXCH.

EXCH. LINE TO P.O. PBX.

