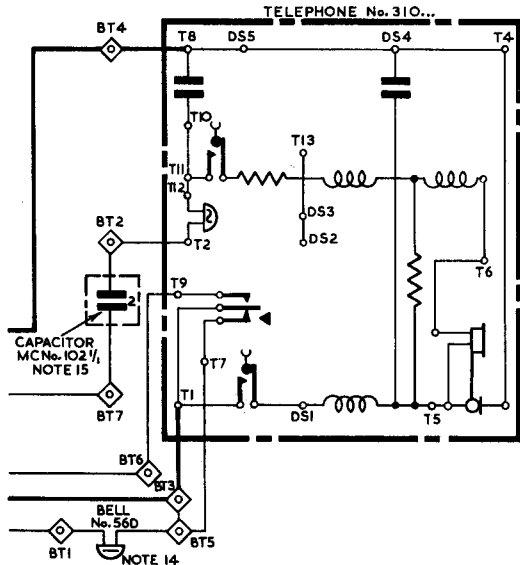


C.B. SYSTEM
SHARED SERVICE (MANUAL)
SUBSCRIBER'S EXTENSION PLANS 7 & 7A (INTERNAL)

N4391
 8 PANELS-1
 14-3-51

EXPLANATORY OF EXTENSION
 USING TELEPHONE No. 310... (FOR MAINTENANCE ONLY)



APPARATUS SCHEDULE

MAIN	EXTENSION
1 BELL SET No. 39 OR 39A (NOTE 2) OR No. 44	1 BELL No. 56 D
1 TELEPHONE No. 248 LB MINUS BASE	1 CAPACITOR PAPER No. 7712
1 BELL SET No. 26	1 BLOCK TERMINAL No. 20/8 AND EITHER
1 BOX BATTERY FOR 3 DRY CELLS	1 TELEPHONE No. 1/232 LB
2 OR 3 CELLS LECLANCHÉ DR2	1 BELL SET No. 26 OR
	1 TELEPHONE No. 328 LB
	1 LABEL No. 252 E
	1 KEY No. 302 B-1
	1 CORD No. 4/57 B...

CB & AUTO

15-6-56 A

BELL SET No. 44 ADDED, NOTES REVISED.

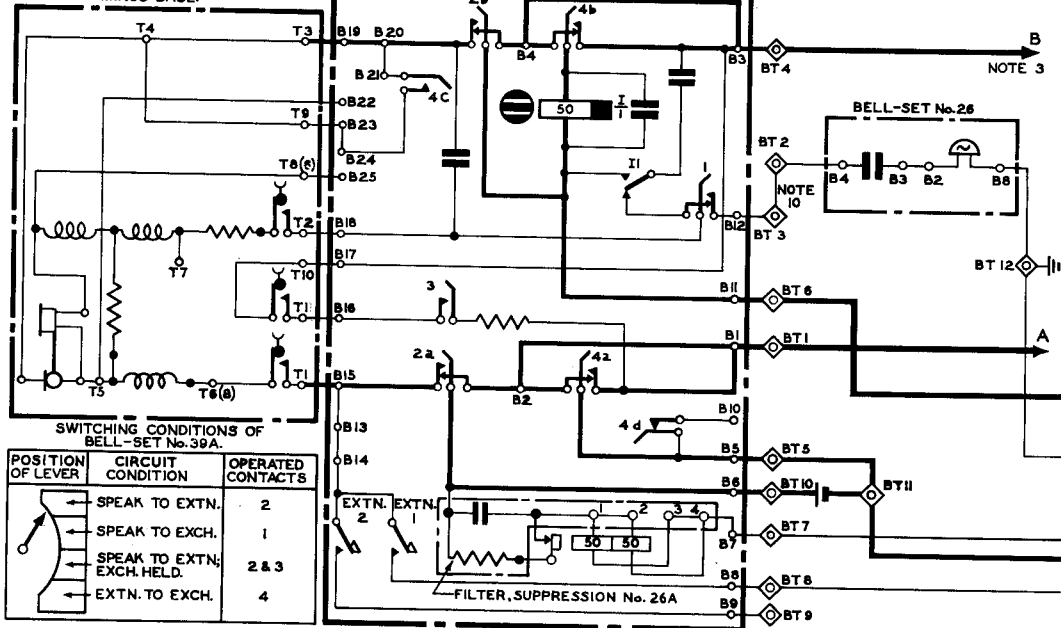
PAPER

W

EXPLANATORY OF MAIN USING BELL-SET No 39A
PLANS 7 & 7A

TELEPHONE No. 248 C.B. NOTE 5
MINUS BASE.

BELL-SET No 39A. NOTES 2, 6 & 7



C.B. SYSTEM.

SHARED SERVICE (MANUAL)
 SUBSCRIBER'S EXTENSION PLANS 7 AND 7A (INTERNAL)
 EXPLANATORY OF EXTENSION
 USING TELEPHONE No.328CB OR No.1/232 C.B. AND BELL - SET No.26.

N 4391
 8 PANELS-3
 14-3-51

OPERATION

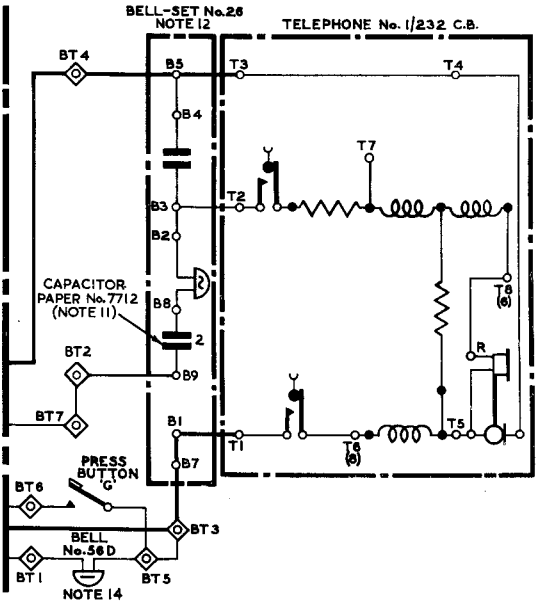
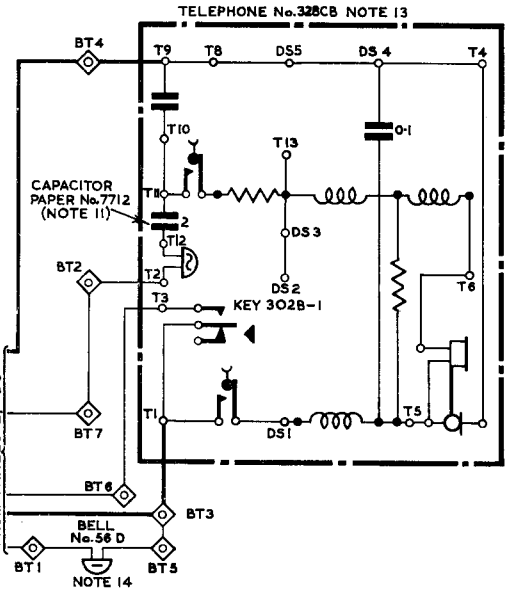
CB & AUTO

B-6-56 A

BELL SET No. 44 ADDED. NOTES REVISED.

FROM PANELS 2, 4 & 8

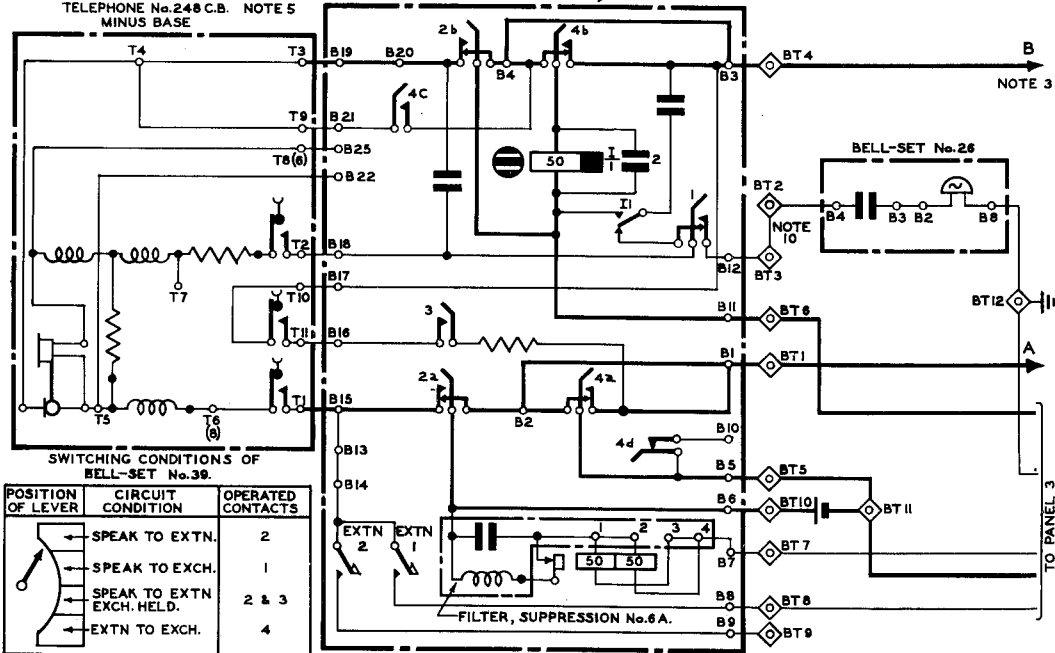
W



EXPLANATORY OF MAIN USING BELL-SET No.39
PLAN 7 ONLY

BELL-SET No.39 NOTES 2, 6 & 7

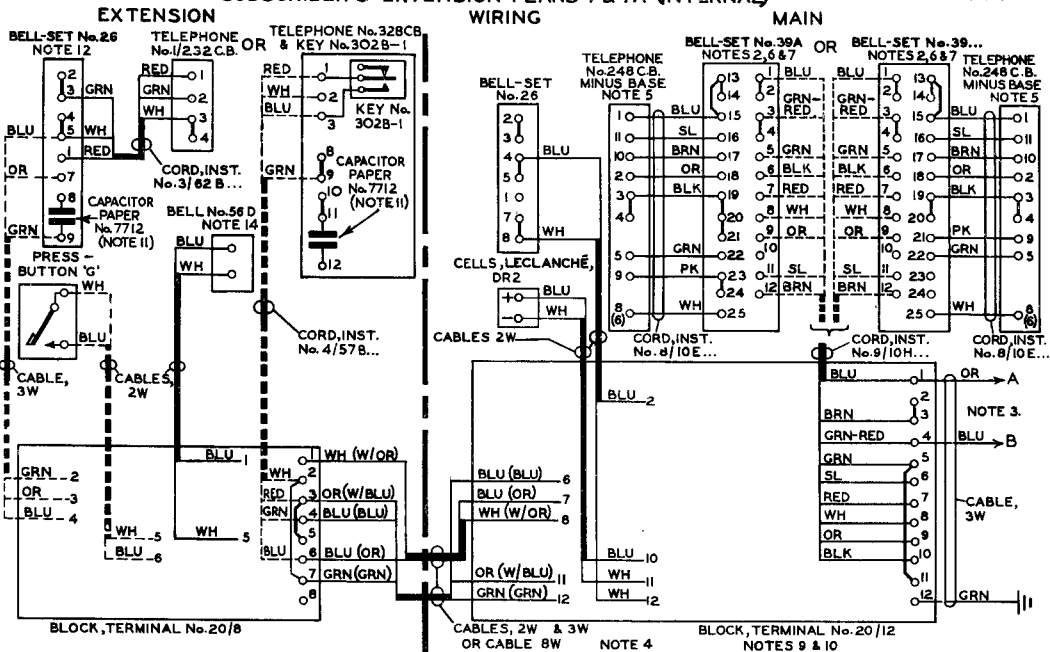
TELEPHONE No.248 C.B. NOTE 5
MINUS BASE



C.B. SYSTEM.
SHARED SERVICE (MANUAL)
SUBSCRIBER'S EXTENSION PLANS 7 & 7A (INTERNAL)
WIRING

N 439I
 8 PANELS-5
 14-3-51

CIRCULATION
 CB & AUTO
 Suffix
 15-6-56 A
 Amendt
 W
 BELL SET No. 44 ADDED. NOTES REVISED



NOTES

1. THIS DIAGRAM SHOWS PLANS 7 & 7A USING BELL SET No.39, 39A OR 44 AT THE MAIN WITH INTERNAL EXTENSION ONLY. THE FACILITIES OF PLANS 7 & 7A ARE GIVEN ON DGM.M429
2. A BELL SET No. 39A OR 44 MAY BE USED AT THE MAIN STATION OF BOTH PLANS 7 & 7A. BELL SET No. 39 MAY BE USED AT THE MAIN STATION OF PLAN 7 ONLY.
3. AT Y INSTALLATIONS ON MINOR CB IO SYSTEMS AND AT X INSTALLATIONS ON OTHER CB SYSTEMS, REVERSE THE A & B LINES ON BT1 AND BT4 AT THE MAIN STATION.
4. WIRE COLOURS FOR 8W CABLE TERMINATIONS ARE SHOWN IN BRACKETS THUS (BLU). (W/BLU) SIGNIFIES WHITE OF BLUE.
5. IN EARLY TELEPHONES No. 248 CB AND No. 1/232 CB THE CONNEXIONS TO T6 AND T8 WERE REVERSED. THE EARLY TERMINAL NUMBER IS SHOWN IN BRACKETS.

MAIN

6. THE DIAGRAM SHOWS CONNEXIONS FOR PLAN 7. FOR PLAN 7A USE BELL SET No. 39A AND DISCONNECT STRAPS B1-B2, B3-B4, B20-B21 AND B23-B24. CONNECT STRAPS B21-B22 AND B24-B25.
7. REMOVE DUMMY PLATE COVERING THE RIGHT-HAND PRESS BUTTON OF BELL SET No. 39... AND SCREW THE PLATE TO THE SIDE OF THE MOUNTING BRACKET OF FILTER SUPPRESSION No. 26A IN THE BELL SET. REMOVE THE PLUNGER FROM THE RIGHT HAND PRESS-BUTTON SPRING AND FIT IT IN THE CONICAL GUIDE PROVIDED.
8. EARLY SUPPLIES OF BELL SET No. 39A WERE FITTED WITH FILTER SUPPRESSION No. 6A.
9. DISCONNECT STRAP BT1-BT2. CONNECT STRAP BT2-BT3.

10. IF AN EXTENSION BELL IS REQUIRED CONNECT BELL No.64D IN PLACE OF STRAP BT2-BT3. USE CABLE 2W AND CONNECT TO BELL TERMINALS Nos. 1 & 4 WITH TERMINALS 2 & 3 STRAPPED.

EXTENSION

11. CAPACITOR PAPER No. 7712 SUPERSEDES CAPACITOR MC102¹/₁ FOR NEW WORK. FIT CAPACITOR PAPER No. 7712 AS FOLLOWS USING A CLIP No. 56³/₄ IN:-
TELEPHONE No. 328 CB- MOUNT HORIZONTALLY ACROSS THE BACK OF THE DUMMY DIAL USING THE SCREW OPPOSITE THE LUG WITH THE THREADED HOLE.
BELL SET No. 26- USE HOLE IN CHASSIS ON THE RIGHT OF AND IN LINE WITH THE BELL COIL TAGS.
12. USING TELEPHONE No. 1/232 CB AND BELL SET No. 26. DISCONNECT STRAP B7-B8 IN THE BELL SET. IF REQUIRED FIT BLOCK TERMINAL No. 20¹/₄ BETWEEN TELEPHONE No. 1/232 CB & BELL SET No. 26 AND CONNECT BLOCK TERMINAL TO THE BELL SET BY CABLE 3W. WIRE CAPACITOR No. 7712 TO B8 & B9 IN THE BELL SET.
13. USING TELEPHONE No. 328 CB-REMOVE STRAP T11-T12 & WIRE THESE TERMINALS TO CAPACITOR PAPER No. 7712. FIT KEY No. 302 B AND CONNECT AS SHOWN.
14. FIT BELL No. 56 D WITH COILS IN PARALLEL.
15. IF AN EXTENSION BELL IS REQUIRED CONNECT BELL No. 64D BETWEEN BT2 AND BT7. USE CABLE 2W AND CONNECT TO BELL TERMINALS Nos. 1 & 4 WITH TERMINALS 2 & 3 STRAPPED.

NOTES REFERRING TO BELL SET No. 44 ONLY ARE SHOWN ON PANEL 7.

CIRCULATION	CB & AUTO
	Suffix
PAPER	W
	Amend
BELL SET No. 44 ADDED. NOTES REVISED.	
18-36-A	

C.B. SYSTEM

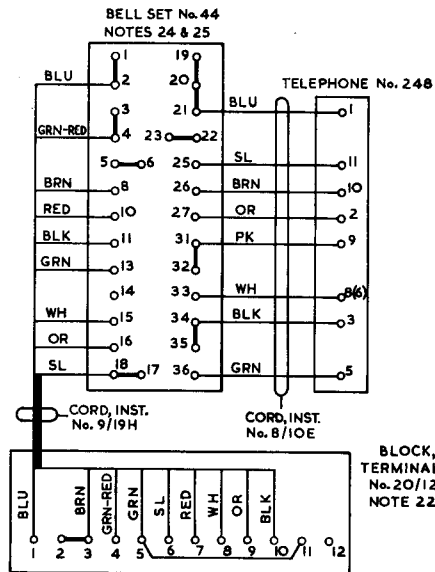
SHARED SERVICE (MANUAL)

SUBSCRIBER'S EXTENSION PLANS 7 & 7A (INTERNAL)

N 4391
8 PANELS-7
14-3-51

NOTES:-

21. PANELS 7 & 8 SHOW THE CIRCUIT & CONNEXIONS OF THE BELL SET No. 44 WHICH MAY BE USED FOR PLANS 7 & 7A WITH INTERNAL EXTENSIONS. IT ALSO PROVIDES FOR A 'RECALL' PRESS-BUTTON WHEN USED ON A P. B. X. EXTN.
22. THE CONNEXIONS TO THE BLOCK TERMINAL No. 20/12 ARE IDENTICAL TO THOSE FOR THE BELL SETS No. 39 & 39A AS SHOWN ON THE PREVIOUS PANELS.
23. THE BELL SET No. 44 IS SHOWN WITH THE STRAPS ARRANGED FOR PRESS-BUTTON 'A' TO CALL EXTN.
24. FOR PLAN 7A REMOVE STRAPS 1-2, 3-4, 31-32 & 34-35. CONNECT STRAPS 32-33 & 35-36.
25. FOR 'RECALL' FACILITY PRESS-BUTTON 'A' IS CONNECTED INTO THE INCOMING 'B' LINE. REMOVE STRAPS 19-20. TRANSFER GRN-RED CORD FROM 4 TO 6. INSERT STRAP 4-5 IN BELL SET. STRAP BT8-BT12. IF CONNECTED TO A P.M.B.X. REMOVE STRAP 5-6. TRANSFER GRN WIRE OF EXTN. CABLE FROM BT8 TO BT9 AND USE PRESS-BUTTON B TO CALL EXTN.

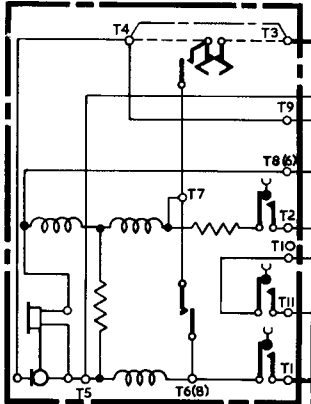


N4391
8 PANELS-B

EXPLANATORY OF MAIN USING BELL SET No. 44

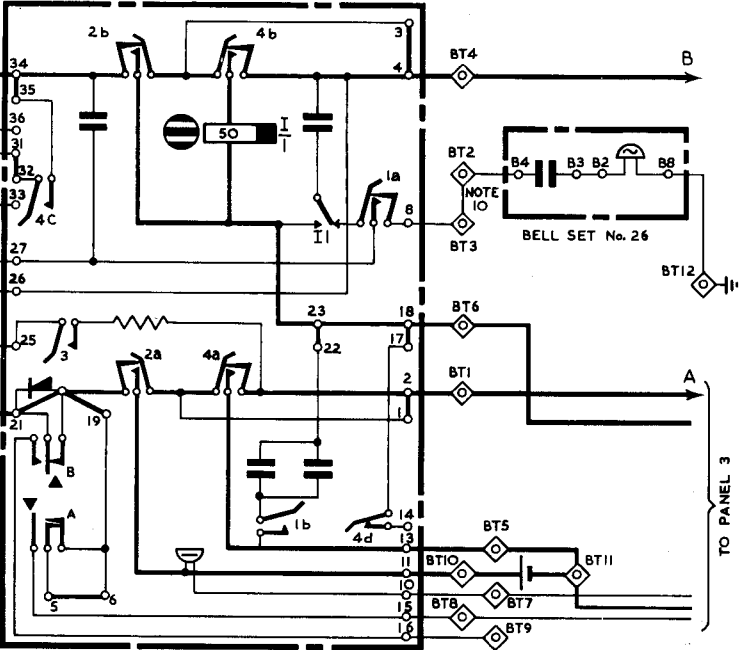
BELL SET No. 44

TELEPHONE No. 248... MINUS BASE NOTE 5



SWITCHING CONDITIONS OF BELL SET No. 44

LEVER POSITION	CIRCUIT CONDITION	SPRING SETS RELEASED
	SPEAK TO EXTN.	2
	SPEAK TO EXCH.	1
	HOLD EXCH. SPEAK TO EXTN.	2 & 3
	EXTN. TO EXCH.	4



TO PANEL 3

