

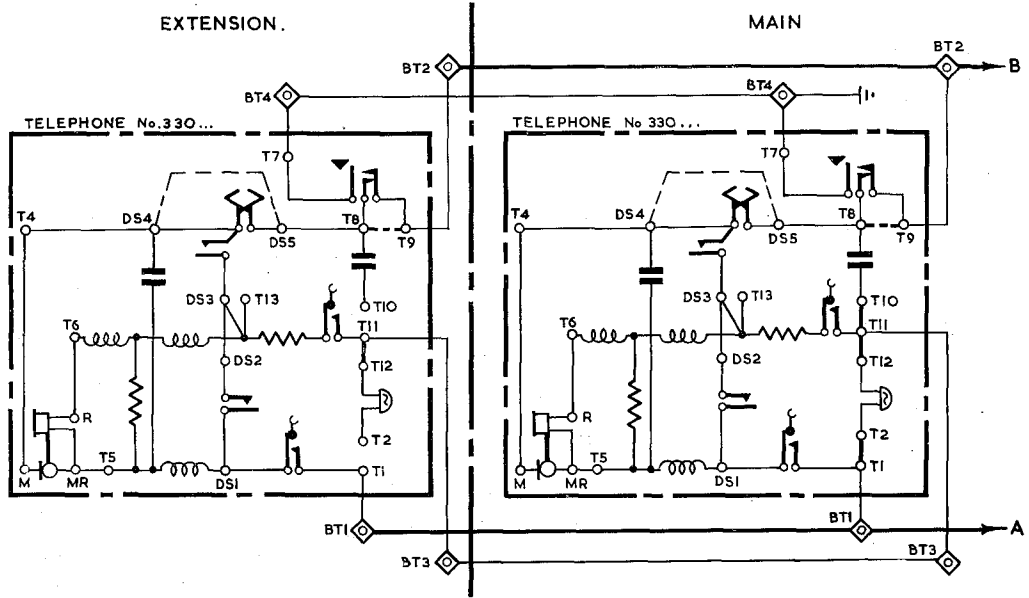
CB & AUTO

NOTE 1. AMENDED TO SHOW SUPERSESSION
ALL PANELS MADE YELLOW

Y

C.B. AND AUTOMATIC SYSTEMS.
SUBSCRIBERS EXTENSION PLAN 1B (INTERNAL ONLY)
ON STANDARD PABX'S AND PMBX'S
WITH ENQUIRY, TRANSFER AND OPERATOR RECALL FACILITIES.
EXPLANATORY.

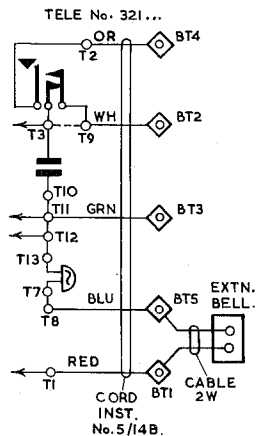
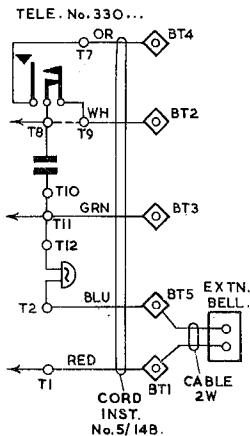
N4353
4 PANELS-1
29-9-58



NOTES

1. THE FACILITIES OF PLAN 1B ARE SHOWN ON N1436. PLAN 1A SHOULD BE PROVIDED FOR NEW WORK
2. APPARATUS REQUIRED AT MAIN AND EXTENSIONS
 LABEL No. 252J AND
 EITHER TELEPHONE No. 330...
 OR TELEPHONE No. 321...
 KEY No. 302A-1
 PART I/DPL/361
 BLOCK TERMINAL No. 20/4
3. WHEN USING TELEPHONE No. 330... RE-TERMINATE. THE CORD INST. No. 4/57B AS SHOWN ON PANEL 3...
4. ON P.M.B.X. EXTNS
 STRAP T8 - T9 NOT REQD. WHEN USING TELE. No. 330...
 STRAP T3 - T9 NOT REQD. WHEN USING TELE. No. 321...
5. THE A, B & EARTH WIRES MAY BE CONNECTED TO BLOCK TERMINAL AT EXTENSION IF MORE CONVENIENT.
6. ALL EXTENSIONS ARE SIMILARLY WIRED. WHEN USING TELEPHONE No. 321 THE BLOCK TERMINAL No. 20/4 MAY BE OMITTED.

7. WHEN EXTENSION BELL IS REQD FIT 5 WAY CORD AND BLOCK TERMINAL 20/8 AT MAIN AND WIRE AS SHOWN BELOW.

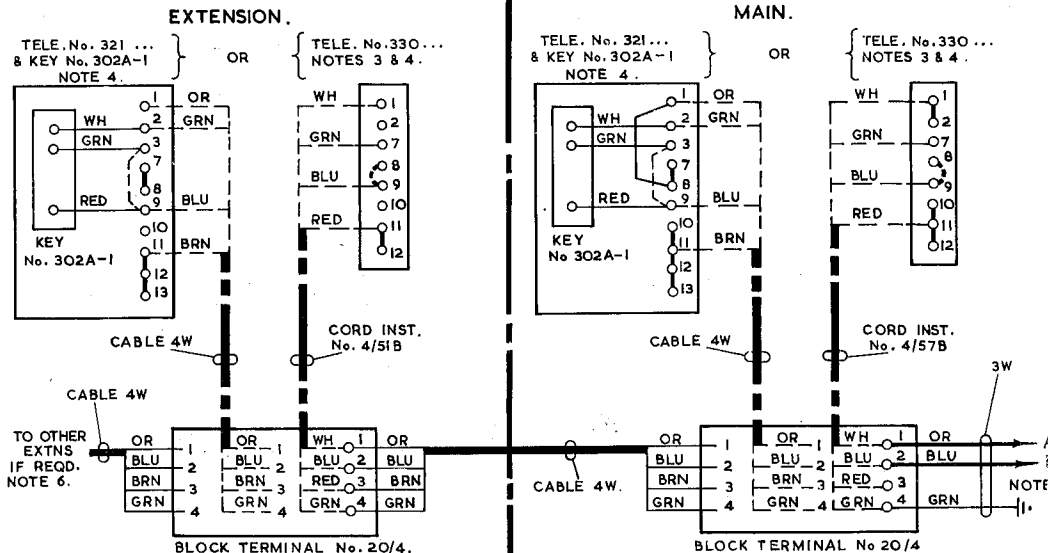


C.B. AND AUTOMATIC SYSTEMS.
SUBSCRIBERS EXTENSION PLAN IB (INTERNAL ONLY)
ON STANDARD PABX's AND PMBX's
WITH ENQUIRY, TRANSFER AND OPERATOR RECALL FACILITIES.

N 4353
 4 PANELS-3.
 29-9-58

WIRING.

CB & AUTO
75-4.63A
NOTE 1 AMENDED TO SHOW SUPERSESSION ALL PANELS MADE YELLOW
Y



N 4353

4 PANELS -4

EXPLANATORY.

