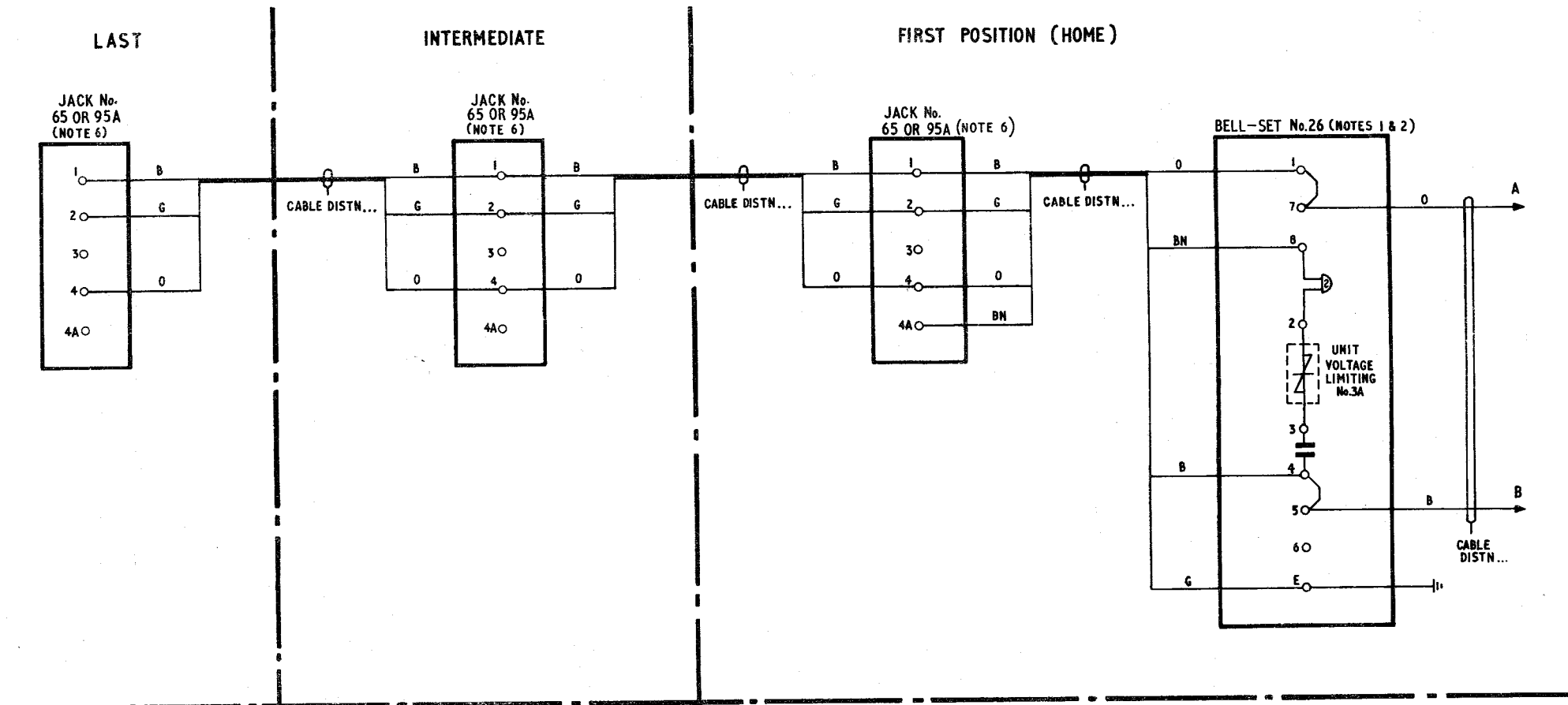


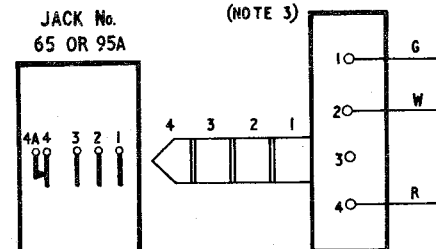
TELETROLLEY SERVICE
BEDSIDE TELEPHONE SERVICE IN HOSPITALS COIN-BOX WORKING

N4341
PAGE 1-2
ISSUE D



CORD CONNEXIONS TO APPARATUS

APPARATUS	DIAGRAM NO.	G	W	R
BOX CC No. 705	N805 (NOTES 4&7)	2	16	1
BOX CC No. 700	N2423 (NOTES 4&7)	18	10	8
BELL-SET No. 33	N2408 (NOTES 4&7)	9	7	11
BELL-SET No. 35	N2406 (NOTES 4&7)	9	7	11
BELL-SET No. 36	N2407 (NOTES 4&7)	9	7	11
BELL-SET No. 34	N2410 (NOTES 4&7)	15	10	13
BELL-SET No. 34	N2409 (NOTES 4&7)	15	1	12



PLUG No. 404 WITH CORD INST
No. 3/104 BN BROWN/180
OR
PLUG No. 420, GREY, WITH
CORD INST No. 3/111L 30 FT
(NOTE 3)

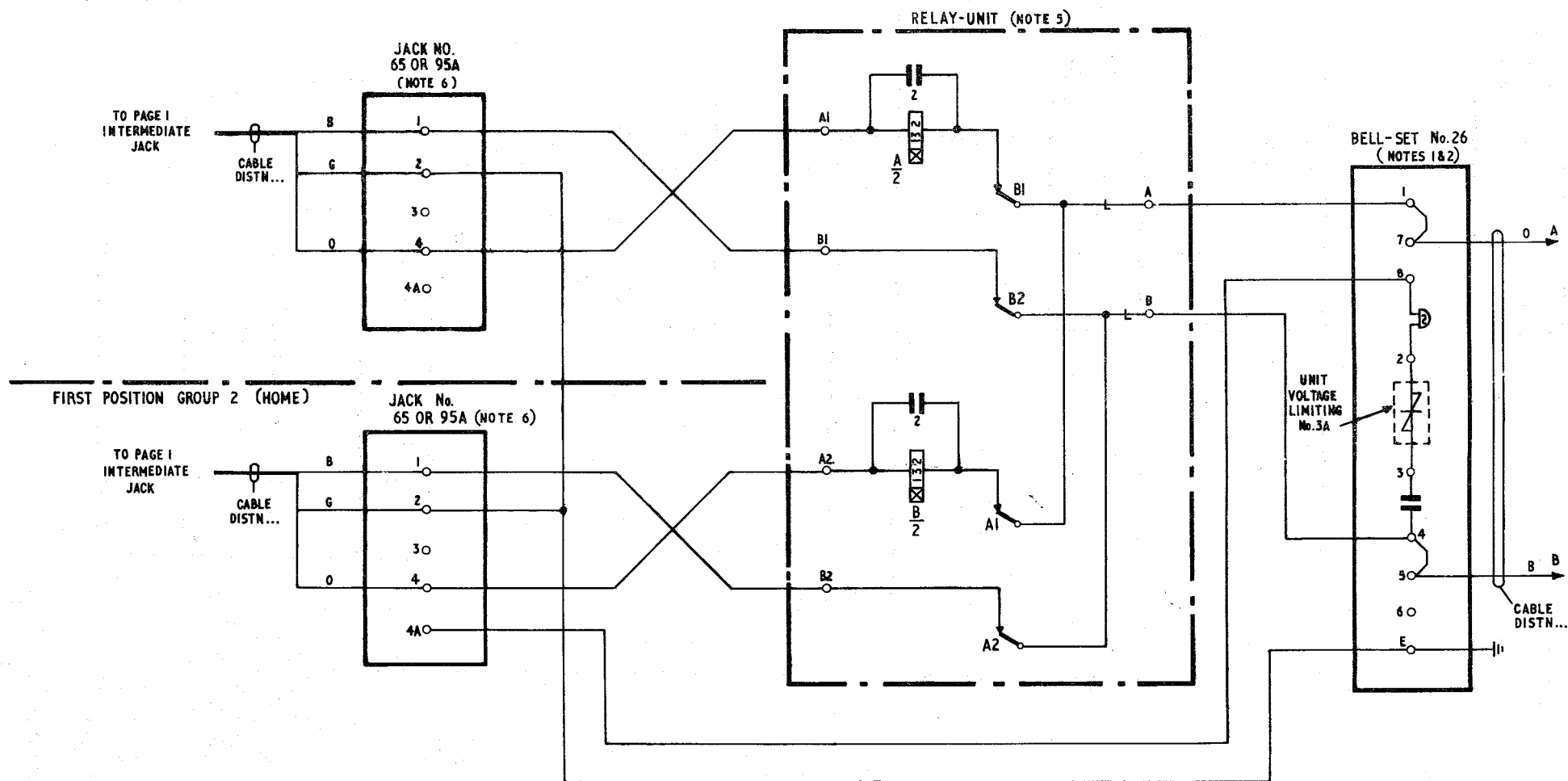
P.O
TELECOMMS
HQRS

PAPER:-W
DIST :-
GENERAL

D	NEW FORMAT AND MINOR AMENDMENTS	RB	EW	30.8.73
C	REDRAWN. WAS 2 PANELS MADE WHITE	P.J.H	G.S	28.1.63

2 GROUPS OF JACKS WITH 1 EXCHANGE LINE AUTO SYSTEMS ONLY

FIRST POSITION GROUP 1



NOTES:-

- 1 Remove straps between Terminals 2 and 3 and between 7 and 8 of Bell-Set No.26, bolt the Unit, Voltage, Limiting No.3A to the base of the bell-set and connect it between Terminals 2 and 3
- 2 Provide earth connexion on all new work
- 3 If a rubber sheathed cord is requested by hospital authorities, use Cord, Flexible, TRS Three Core...
- 4 If a standard cord is not long enough to reach from the Boxes C.C to the telephone, Cordage Inst No. 8AJ may be used
- 5 Relay unit to be made up locally. Relays No. 15373 and Capacitors MC No.102 or 102C to be used. A suitable termination strip to be provided and relay covers to be fitted if unit exposed
- 6 Where flush fitting jacks, mounted in conduit boxes provided and fitted by hospital authority, are required use Jacks No.95B
- 7 Connect a Rectifier-Element No.205 across the receiver, either in the receiver cavity of Handset No.3 or in the transmitter cavity of Telephone No.164