

CB & AUTO SYSTEM
SUBSCRIBER'S EXTENSION PLAN 1A (INTERNAL ONLY)
ON EXCHANGE LINE OF EXTENSION PLAN 7 OR 7A (BELL-SET No.20)

N4338
PAGE 1-4
ISSUE C

NOTES:-

GENERAL

1. Only one Plan 1A Extension may be fitted.
2. The diagram shows a Plan 1A Extension on the exchange line of a Plan 7. The exchange line is taken via the Plan 1A Extension to the main of the Plan 7.
3. An incoming exchange call may ring either the bell associated with the main telephone or the Bell-set No. 20 dependent upon the position of the switch. Therefore two bells will be required at the Plan 1A Extension. Extension bells if required should be connected in series with the existing bells.

PLAN 7 & 7A MAIN

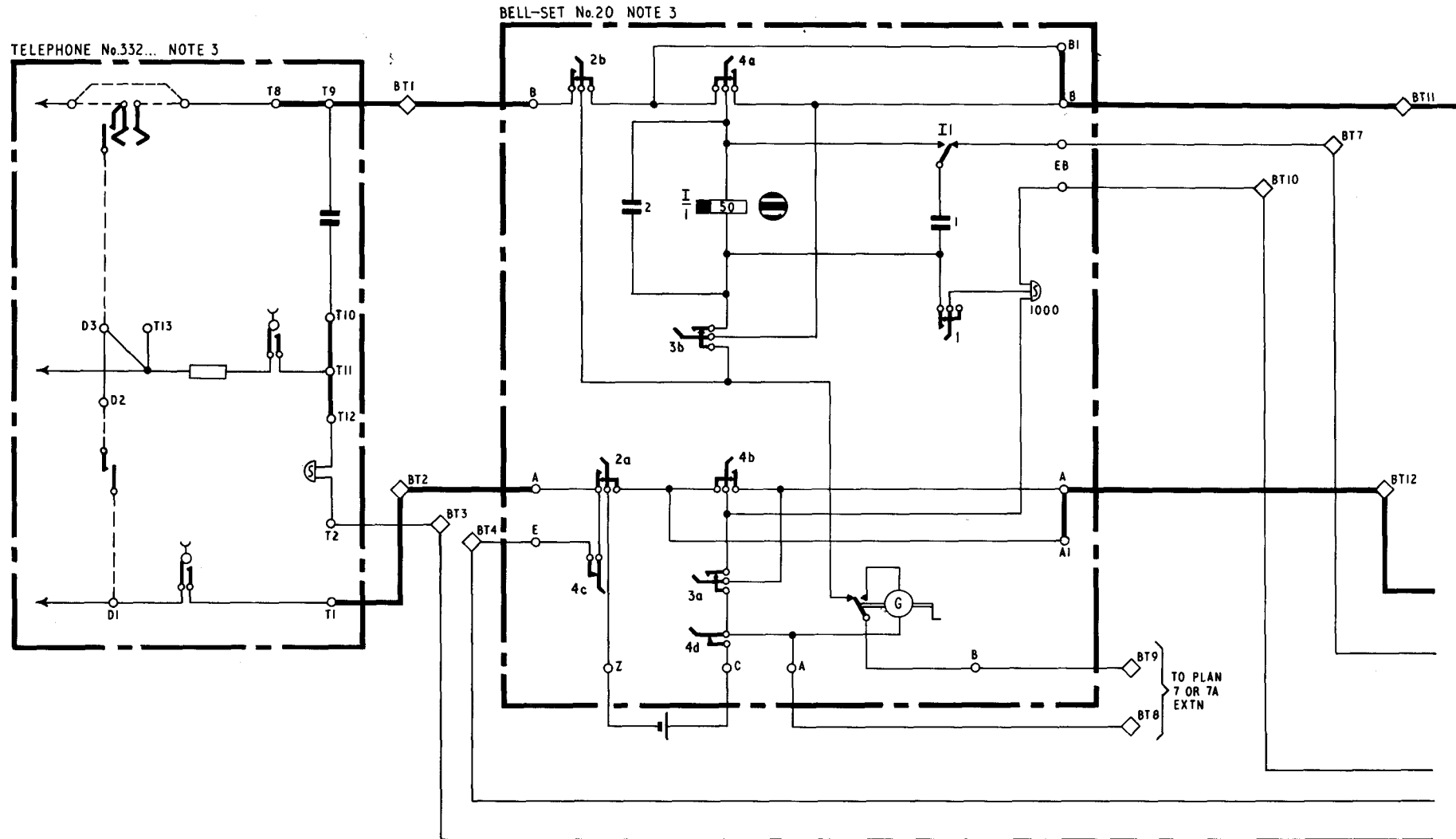
4. For connexions reference should be made to Dgm. N4309.

PLAN 1A EXTENSION

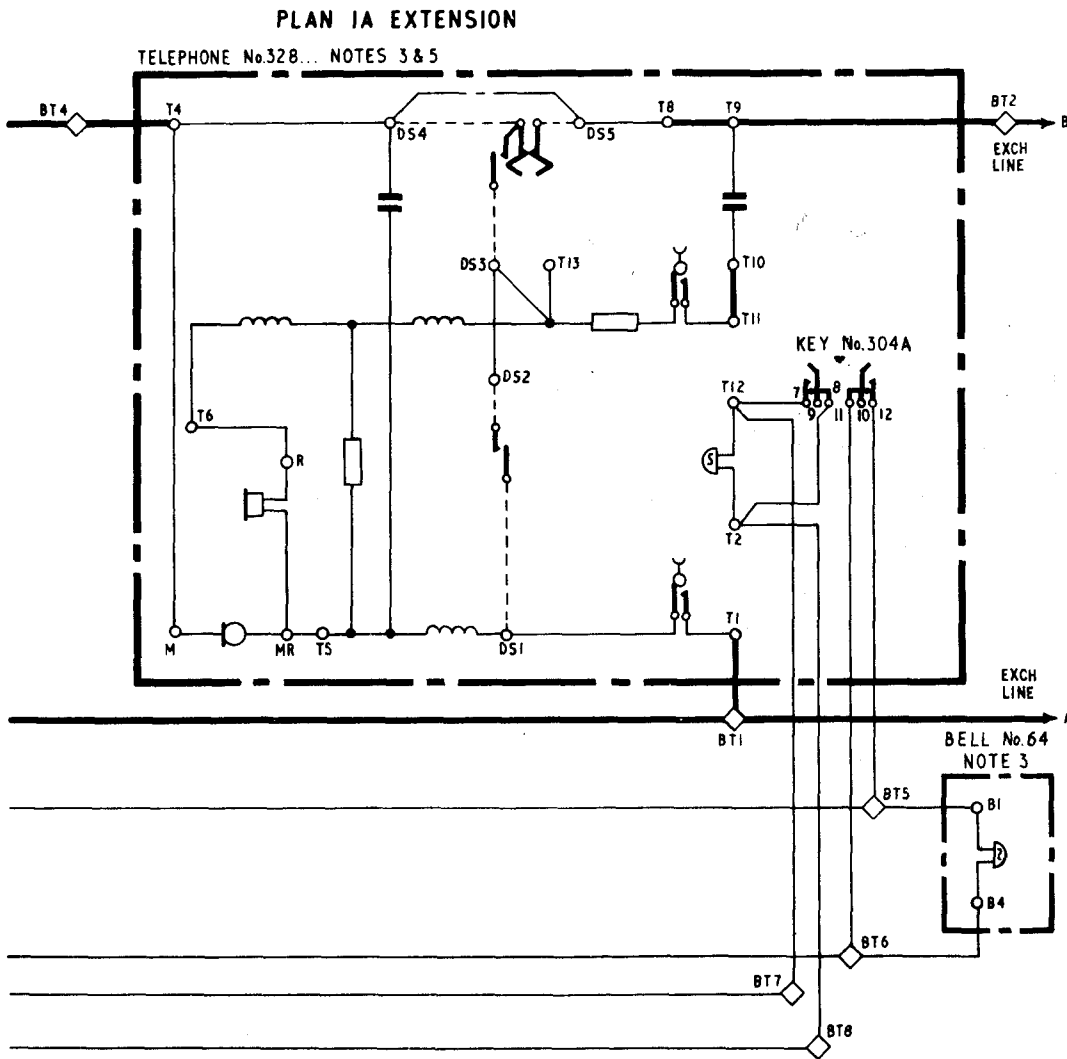
5. When using Telephone No. 328... fit Cord, Inst. No. 7/05B and Block, Terminal No. 36B. Remove Strap T11-T12. Fit Key No. 304A with latchplate as shown on Dgm. N4301. Fig. 6. Fit Label No. 252C.
6. When a separate bell-set is required fit Telephone No. 1/232... and Bell-set No. 26. Change Cord, Inst. No. 3/62B for Cord, Inst. No. 4/57B. Disconnect strap between B2-B3 in Bell-set No. 26.
7. For automatic working use appropriate telephone eg Telephone No. 1/232F.
8. A suitable double pole switch should be purchased locally.

P.O. TELECOMMS OFFERS COLOUR:-Y DISTN:- CB & AUTO	ISSUE		
	C	NEW FORMAT. MINOR AMENDMENTS. MADE YELLOW. NOTE 8 ADDED <i>ML</i> TD 7-1-1	14-6-74
	B	PANEL 4. COLOURS ON T2 & T3 TELE 1/232 INTERCHANGED	5-7-54

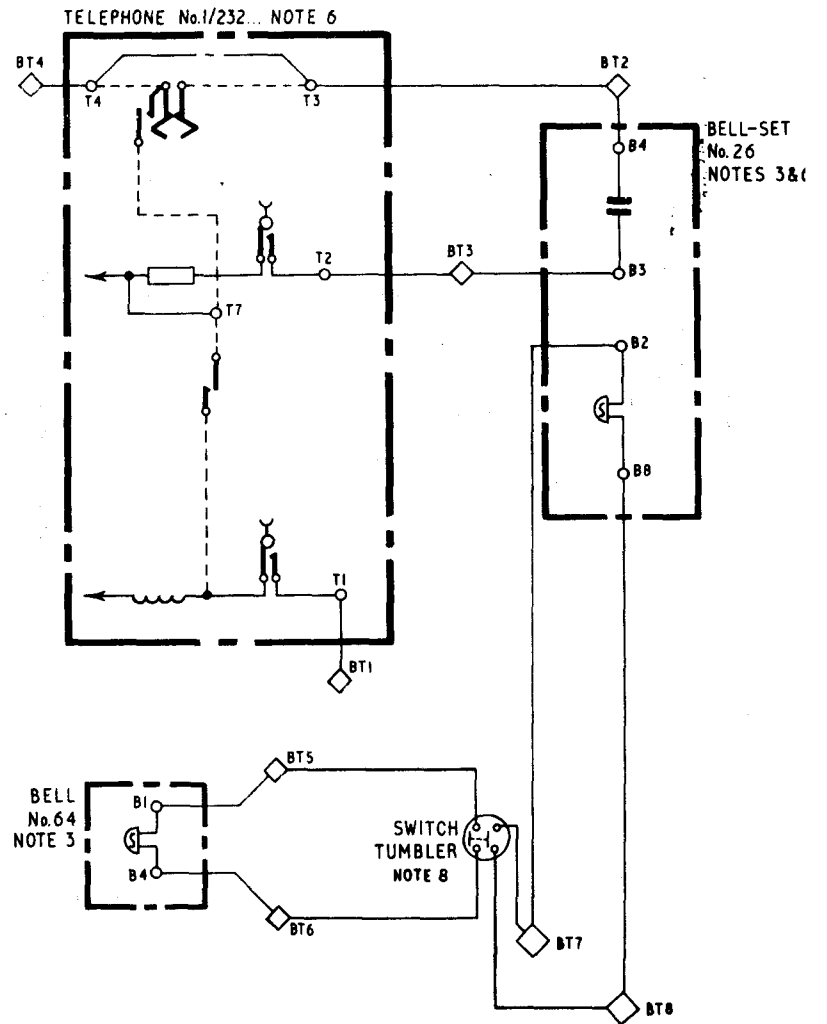
EXPLANATORY OF MAIN PLAN 7 OR 7A



EXPLANATORY

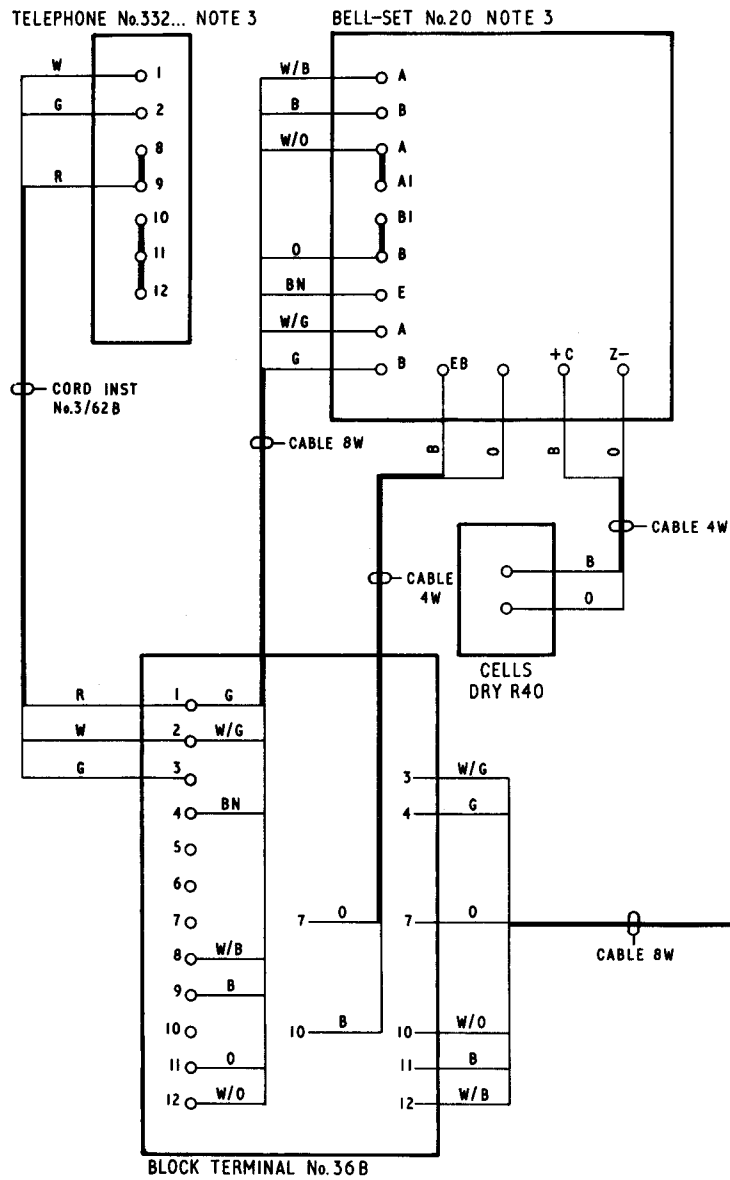


ALTERNATIVE EXTENSION TELEPHONE



WIRING

PLAN 7 OR 7A MAIN STATION



PLAN IA EXTENSION

