

C.B. AND AUTOMATIC SYSTEMS
SUBSCRIBERS EXTENSION PLAN 2
USING TELEPHONE No.328...

N 4317

4 PANELS-1

5-9-60

SUPERSEDED FOR NEW
WORK BY N4504.

C.B. & AUTO.

48.9.62. B
23-11-60 A

SUPPN.NOTE ADDED, MADE YELLOW
NOTE 3 AMENDED

Y

NOTES

1. THE FACILITIES OF PLAN 2 ARE SHOWN ON DGM. NI435

2. APPARATUS REQUIRED

ALL STATIONS

- | | |
|--------------------------|------------------------|
| 1 TELEPHONE No. 328... | } SEE NOTES
5 AND 6 |
| 1 KEY No.303A | |
| 1 LABEL No. 252G | |
| 2 PARTS 1/SPL/325 | |
| 1 BLOCK TERMINAL No.20/8 | |
| 1 CORD INST No. 6/21B | |

- 3 SET LATCH BRACKET CONTROL PLATE AS SHOWN ON DGM. N4301 FIG.6 SWITCH HOOK RELEASE SHOULD NOT BE PROVIDED
- 4 MAIN & EXTENSION TELEPHONES MAY BE CONNECTED IN ANY ORDER.ALL EXTENSIONS ARE SIMILARY WIRED.
- 5 WHEN AN EXTENSION BELL IS REQUIRED ON LINE 1

AT MAIN 1

DISCONNECT STRAP K22 - T2
RECOVER CORD INST. No.6/21B... AND FIT CORD INST. No. 7/05B...
CONNECT ADDITIONAL BRN CONDUCTOR TO T2 & BT7
CONNECT SEPARATE EXTENSION BELL BETWEEN BT1 & BT7 OR IF BELL IN EXTENSION TELEPHONE IS USED AS EXTENSION BELL CONNECT BT7 TO BT7 AT EXTENSION AND

AT EXTENSION

CONNECT T12-K22
RECOVER CORD INST. No.6/21B... AND FIT CORD INST. No. 7/05B.

5. CONTINUED :-

CONNECT ADDITIONAL BRN CONDUCTOR TO T2 & BT7

6. WHEN AN EXTENSION BELL IS REQUIRED ON LINE 2

AT MAIN 2

DISCONNECT STRAP K23-T2
RECOVER CORD INST.No.6/21B... AND FIT CORD INST. No. 7/05B...
CONNECT ADDITIONAL BRN CONDUCTOR TO T2 & BT7
CONNECT SEPARATE EXTENSION BELL BETWEEN BT6 & BT7 OR IF BELL IN EXTENSION TELEPHONE IS USED AS EXTENSION BELL CONNECT BT7 TO BT7 AT EXTENSION AND

AT EXTENSION

CONNECT T12-K23
RECOVER CORD INST. No.6/21B AND FIT CORD INST. No. 7/05B...
CONNECT ADDITIONAL BRN CONDUCTOR TO T2 & BT7

- 7 THE EXCHANGE NUMBER OF LINE 1 MUST BE INSERTED ON THE LEFT AND OF LINE 2 ON THE RIGHT OF THE DIAL CENTRE LABEL.

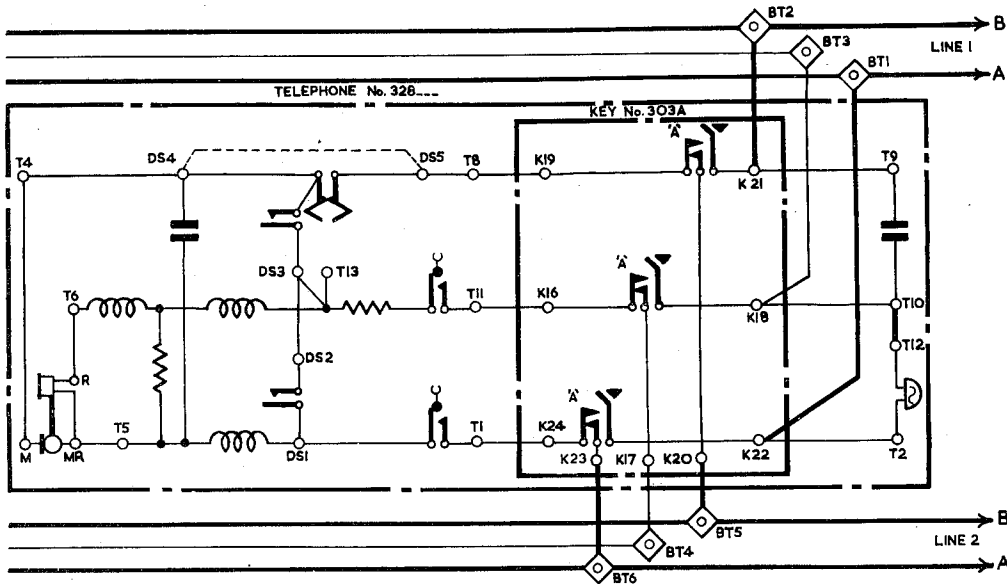
C.B. AND AUTOMATIC SYSTEMS
 SUBSCRIBERS EXTENSION PLAN 2
 USING TELEPHONE No. 328---

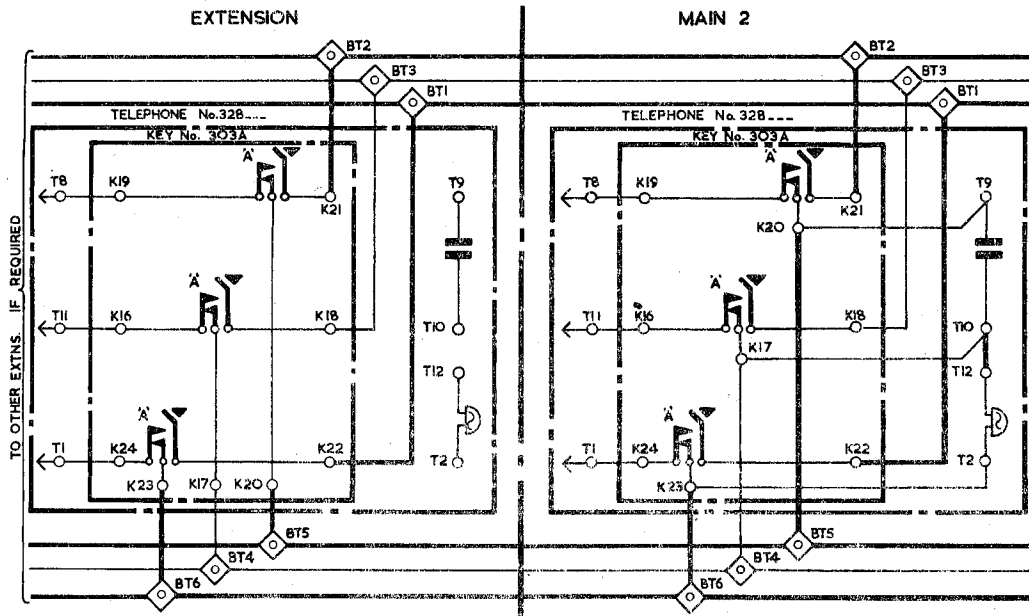
N 4317
 4 PANELS-3
 5-8-60
 SUPERSEDED FOR NEW
 WORK BY N4504.

MAIN 1

18-9-62 B
 23-II-60 A

SUPPN. NOTE ADDED, MADE YELLOW
 NOTE 3 AMENDED

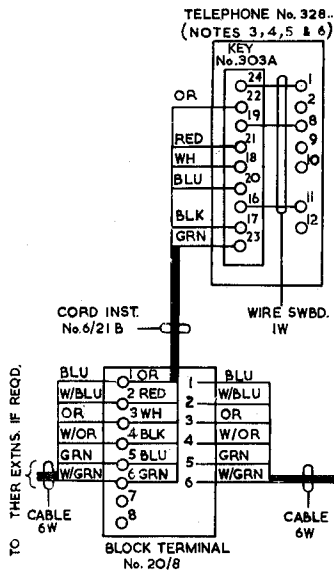




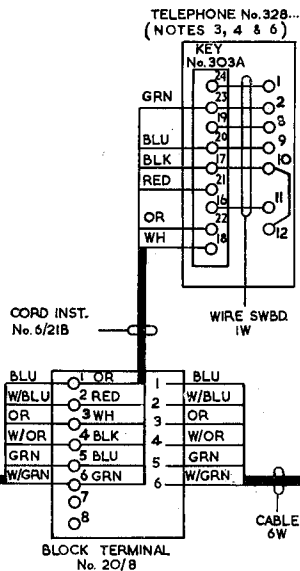
N4317
4 PANELS-4

WIRING

EXTENSION



MAIN 2



MAIN 1

