

CB & AUTOMATIC SYSTEMS

EXTENSION WORKING PLAN No. 10 (INTERNAL ONLY)

N 4314

PAGE 1-5

ISSUE C

NOTES:-

1. Particulars of facilities on Plan No. 10 are shown on Diagram N1433.
2. When using Telephones No. 1/232... or 330... a Key No. 294 to be provided for each line to be intercepted. A suitable mounting for the keys to be made up locally and the Key Mounting engraved as required.
3. When not more than two lines are being intercepted use Telephone No. 328...

A Key No. 303A, three plungers complete (Parts 1/SPL/325) and one Label 252K to be requisitioned and fitted to the Telephone locally.

The Latch bracket control plate should be set as indicated in Diagram N4301 Figure 2.

Provide the following straps between the Telephone Terminal strip and the Key Terminal strip and on the Key and Telephone Terminal strips T1-K17, T9-K20, K2-K16, K4-K14, K5-K19, K6-K21, T1-T2, K7-K17-K22 & K10-K20-K25.

Switch-hook release of the Key No. 303A when the handset is replaced should be provided for by removing the extension arm normally fitted on the side of key chassis and fitting it in the appropriate position on the switch hook. Bell at PBX Swbd not required in these cases.

4. MODIFICATION TO TELEPHONES

- (a) When using Telephone No. 1/232... with Bell-set No. 26, remove strap between Terminals 7 & 8 on Bell-set No. 26.
- (b) When using Telephone No. 330...
 - (1) Replace Block Terminal 2C/4 by Block Terminal No. 35A.
 - (2) Connect strap between BT1 & BT5.

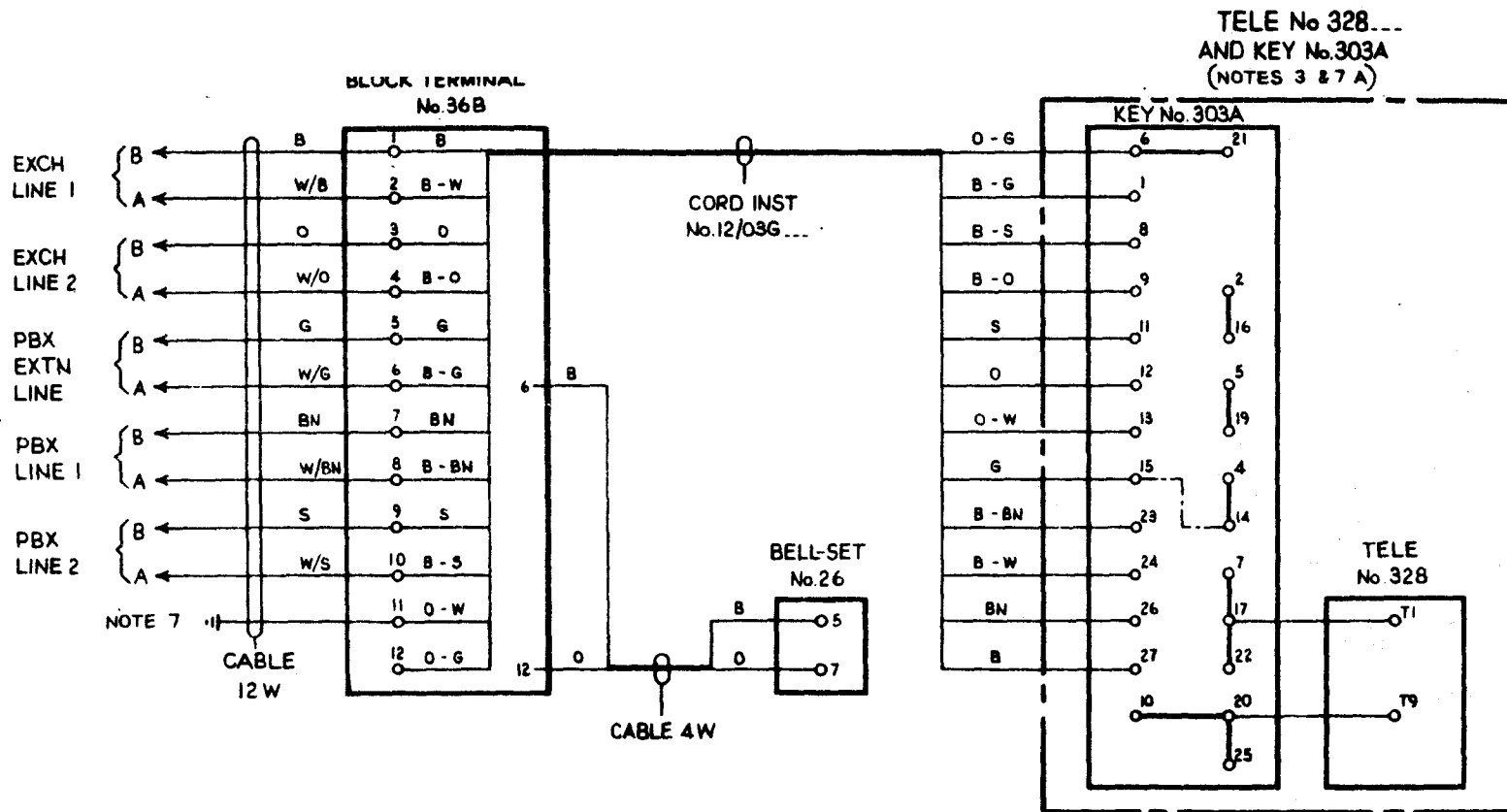
(3) Remove strap between Telephone Terminals T8 & T9.

5. Remove strap between Terminals BT3 & BT4 on Block Terminal and connect Extension Bell as required except on Page 2.
6. Earth connexion between distribution case and BT8 or BT11 to be provided in all cases.
7. WHEN PBX RECALL FACILITY IS NOT REQUIRED
 - (a) When using Telephone No. 328... strap Terminals K14-K15 and omit Plunger B fit Label No. 252G.
 - (b) When using Telephone No. 1/232... omit Press-button P and strap BT1 & BT5.
 - (c) When using Telephone No. 330... strap between T8 & T9 to be retained and earth connexion at BT8 to be left disconnected.

PO TELECOMMS HQRS. PAPER:- Y DISTN:- CB & AUTO	ISSUE			
		C	NEW FORMAT, MINOR AMENDMENTS, MADE YELLOW <i>624</i> TD2.3.1	30.5.74
		B	CABLES REDESIGNATED PANEL 3. STRAP BT1-BT5 ADDED	5.4.55

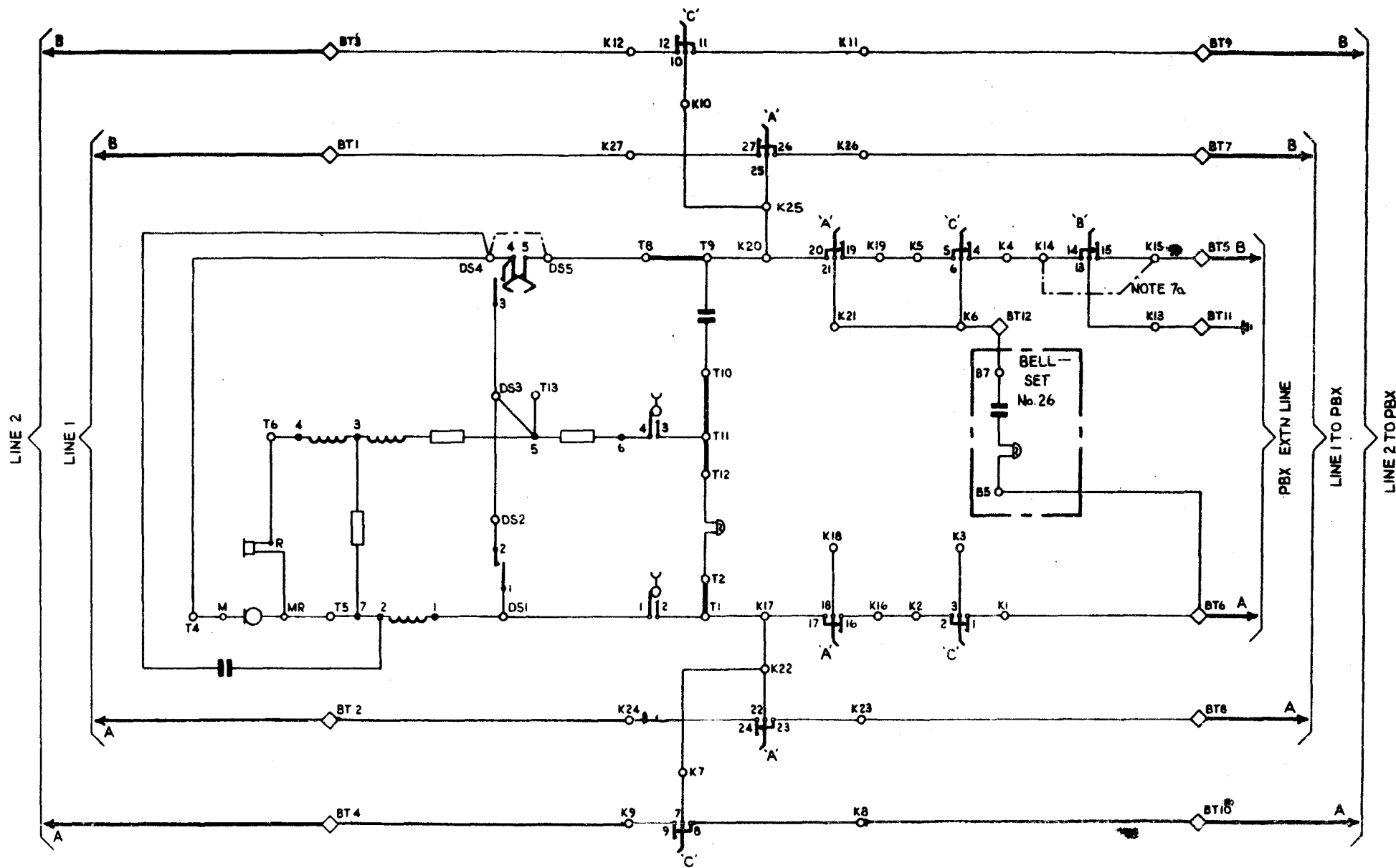
INTERCEPTING 1 OR 2 EXCHANGE LINES ONLY
USING TELEPHONE No.328 MINUS CORD

WIRING

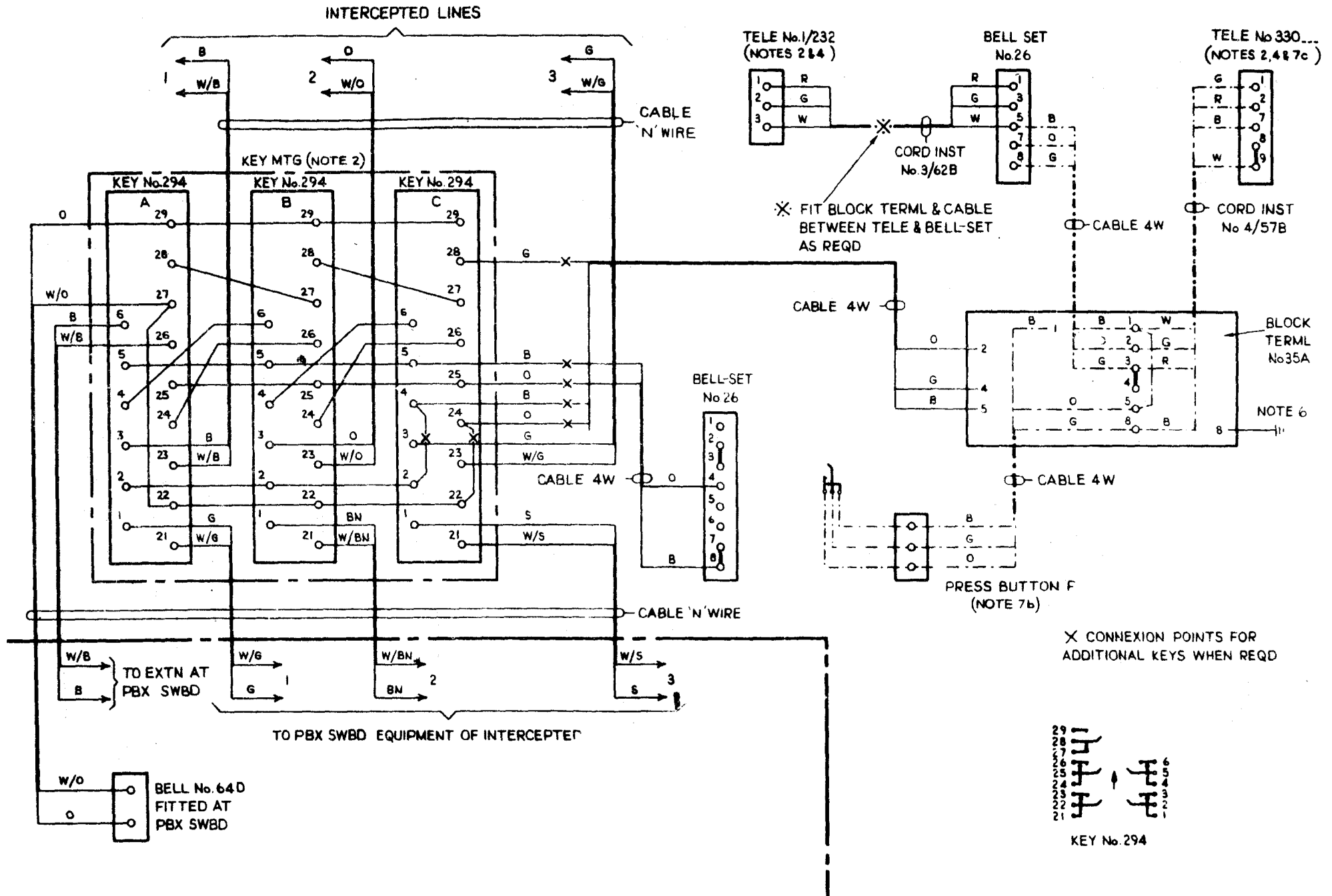


NOTE:-
EXTENSION BELL CANNOT NORMALLY BE PROVIDED
WHEN USING TELE No.328

USING TELEPHONE No 328...
EXPLANATORY



USING TELE 1/232 & BELL-SET 26 OR TELE 330
WIRING



USING TELEPHONE NO 1/232... WITH BELL-SET NO.26 OR TELEPHONE NO.330...
FOR INTERCEPTING OVER TWO LINES

EXPLANATORY

EXTENSION

PBX

