

# CB & AUTOMATIC SYSTEMS

## EXTENSION WORKING PLAN No.9 (INTERNAL OR EXTERNAL)

N4313  
PAGE 1-3  
ISSUE D

NOTES:-

1. The facilities of Plan 9 are shown on Diagram N1432.
2. When a Telephone No. 1/232... is required fit Coil, Bridging No. 1B, Bell No. 1A (connect bell coils in parallel), Press-button P (see note 8b), Key No. 253 and Key Mounting NV. Mounting plate engraved NORMAL in centre and ENQUIRIES in the operated position (engraving No. 12B2). The Coil Bridging No. 1B should be fitted in an upright position inside Bell No. 1A at the bottom left-hand corner.
3. When a Telephone No. 328... is required fit Key No. 303A with 2 or 3 Parts 1/SPL/325 and Label No. 252H or L. The latch bracket control plate of the key mechanism should be set as indicated in Figure 7 of Diagram N4301.

Switch-hook release of the Key A when the handset is replaced should be provided for by removing the extension arm normally fitted on the side of the key chassis and fitting it in the appropriate position on the switch hook.

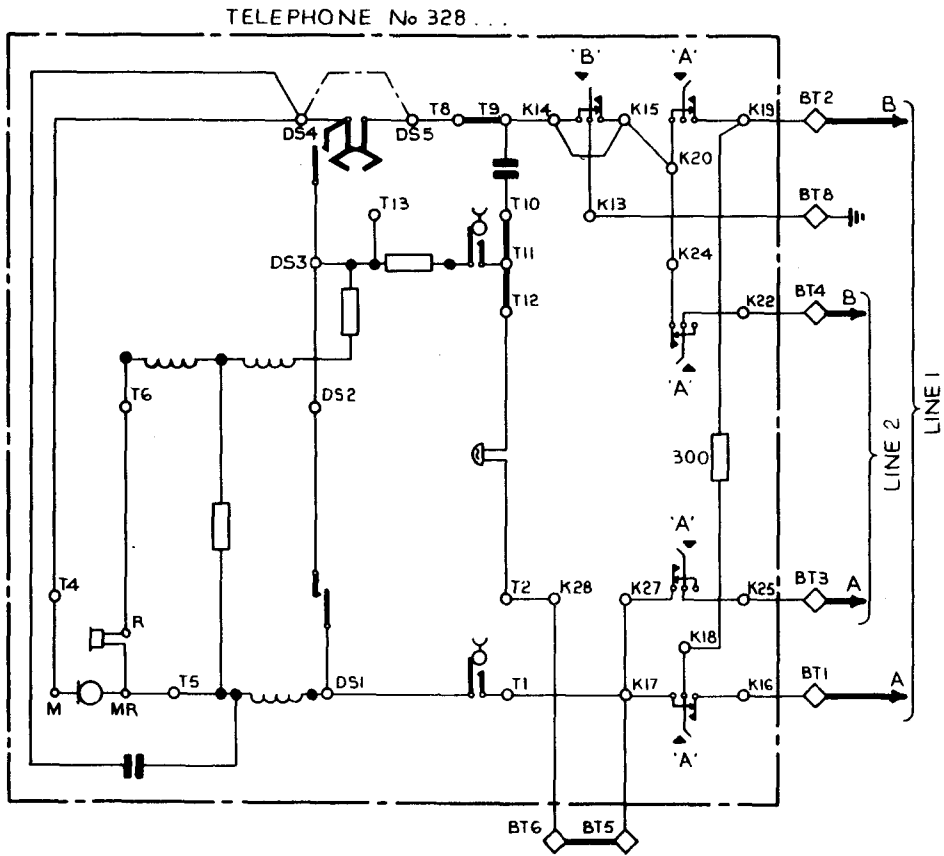
Fit Resistor Coil No. 15, 300Ω, by an 8BA screw  $\frac{3}{8}$ " long and washer on the key chassis in place of extension arm and wire to K18 and K19.

4. With Telephone No. 328... Resistor Coil No. 15, 300Ω, replaces Bell No. 1A and Coil, Bridging No. 1B which were connected to BT2 and BT7. A Cord Inst. No. 9/10H was used with black wire on BT7 and K18 and slate wire on BT5 and K17.
5. IF AN EXTENSION BELL IS REQUIRED
  - (a) using Telephone No. 1/232... remove strap between Terminals 7 and 8 in Bell-set No. 26.
  - (b) using Telephone No. 328... remove strap between Terminals 5 and 6 on Block Terminals and connect Bell.
6. Replace cord inst. by cable equivalent when required. See Diagram N4199 for corresponding cable colours.

7. Earth connexions to be provided in all cases at each PBX Extension.
8. WHEN PBX RECALL FACILITY IS NOT REQUIRED
  - (a) When using Telephone No. 328... omit Plunger B; requisition Label No. 252L in place of Label No. 252H.
  - (b) When using Telephone No. 1/232... omit Press-button P.
9. On earlier installations Cord Inst. No. 8/06B was used with Telephone No. 328... and Cord Inst. No. 9/10H... was used with Telephone No. 1/232.... In both cases the orange and white conductors were paralleled on BT4.

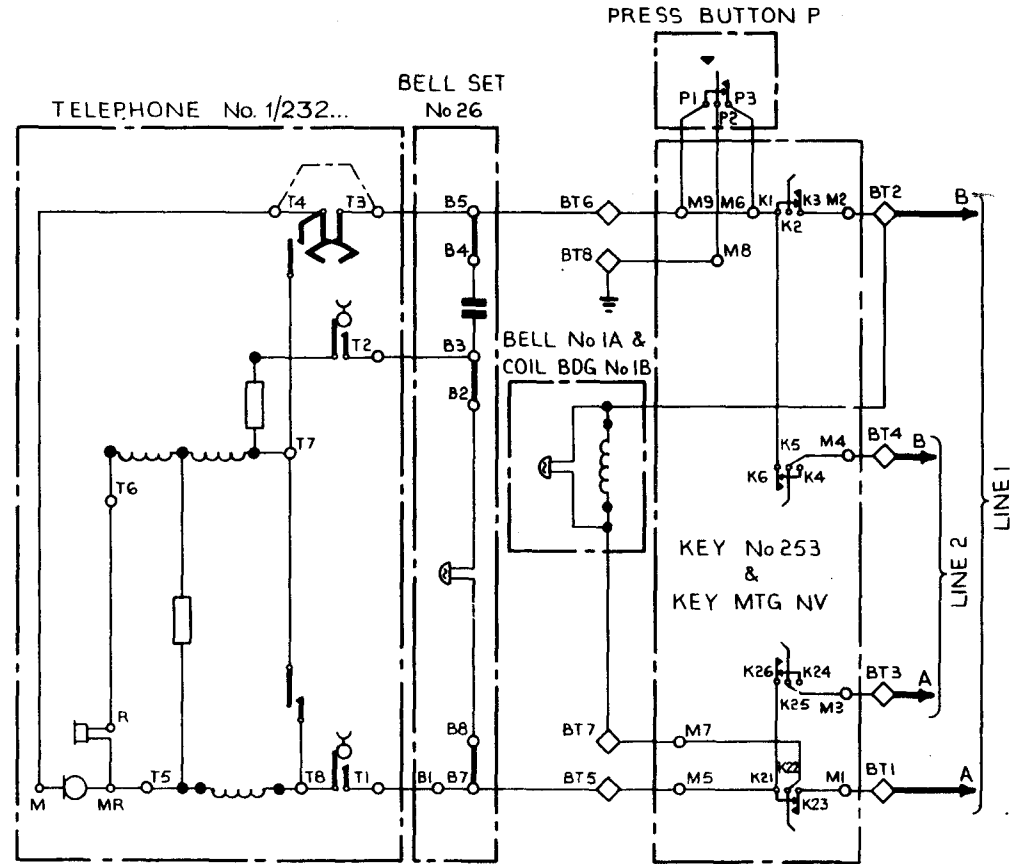
TELECOMMS IQRS. PAPER:- Y DISTN:- CB & AUTO	ISSUE				
		D	NEW FORMAT, MINOR AMENDMENTS, MADE YELLOW <i>ML</i> TD 7-1-1	11.6.74	
		C	MINOR AMENDMENTS, NOTE 9 ADDED K.M.A.	23.10.59	

USING TELEPHONES No 328 ...

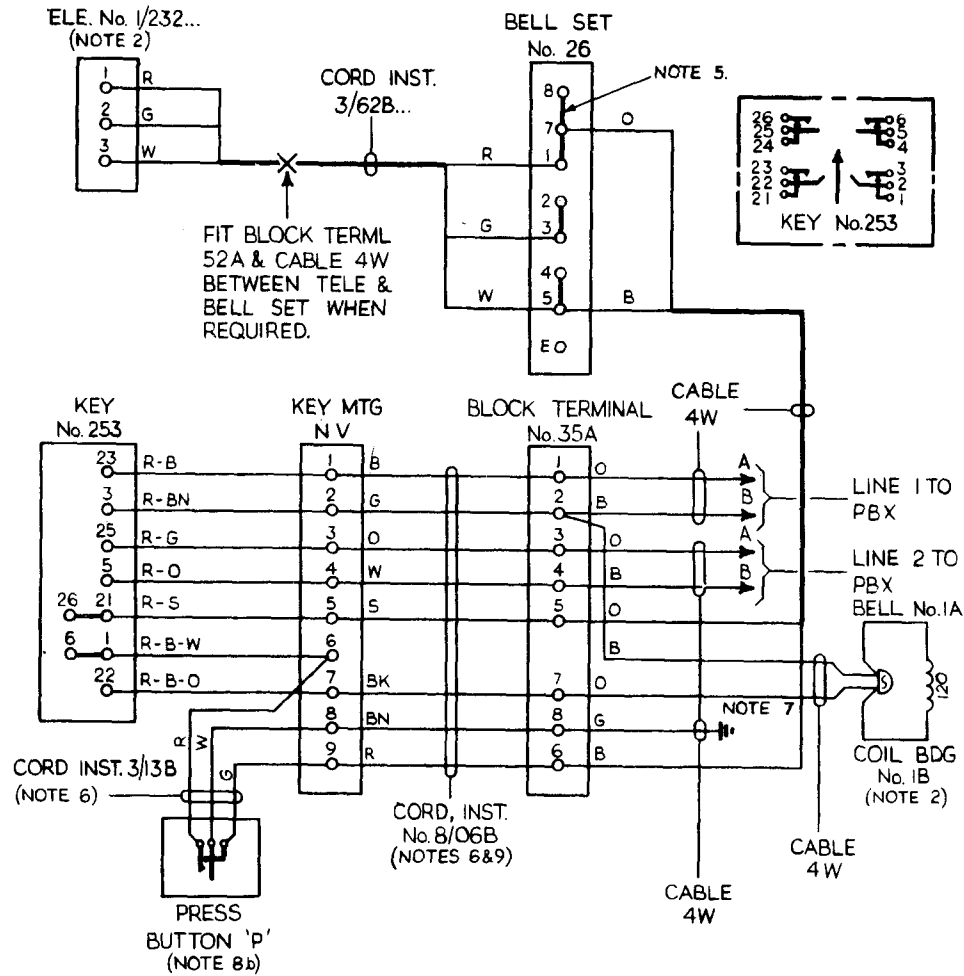


USING TELEPHONE No 1/232 ... WITH BELL SET No 26

EXPLANATORY



WIRING



TELEPHONE No. 328... (NOTES 3 & 8a)

