

**CB & AUTOMATIC SYSTEMS
EXTENSION WORKING PLAN No 8 (INTERNAL ONLY)**

NOTES:-

GENERAL

- Particulars of the facilities given on Plan No. 8 are shown in Diagram N1430.

MAIN

- When Telephones No. 1/232... and Bell-sets No. 26 are required, two Press-buttons G should be requisitioned.
- When Telephones No. 330... are required Cord Inst. No. 4/57B and Block Terminal No. 20/4 should be recovered and replaced by Cord Inst. No. 5/14... and Block Terminal No. 35A.

4. WHEN AN EXTENSION BELL IS REQUIRED

- Using either type of Telephone, in place of strap between BT1 & BT2 on Block Terminal connect Extension Bell leads.
- When Telephone No. 1/232... is fitted also removed strap between B7 & B8 in Bell-set No. 26.

EXTENSION

- When a Telephone No. 1/232... is required, Key No. 207 and Key Mounting NV with Exchange Code and Numbers of Lines engraved on the Mounting Plate and two Bells No. 56A should be requisitioned. One Bell-gong No. 3 should be fitted in place of Bell-gong No. 2 on the Bell No. 56A connected to Block Terminals No. 5 & 7.
- The Key Mounting Terminals should be strapped to the Key Terminals as indicated on the Wiring Diagram.
- When using Telephone No. 326 CB Minus Cord, Dial Auto No. 21FA and Cord Inst. 5/28 E 5th will also be required. Only one Bell No. 56A should be requisitioned and connected to BT5 & BT7.

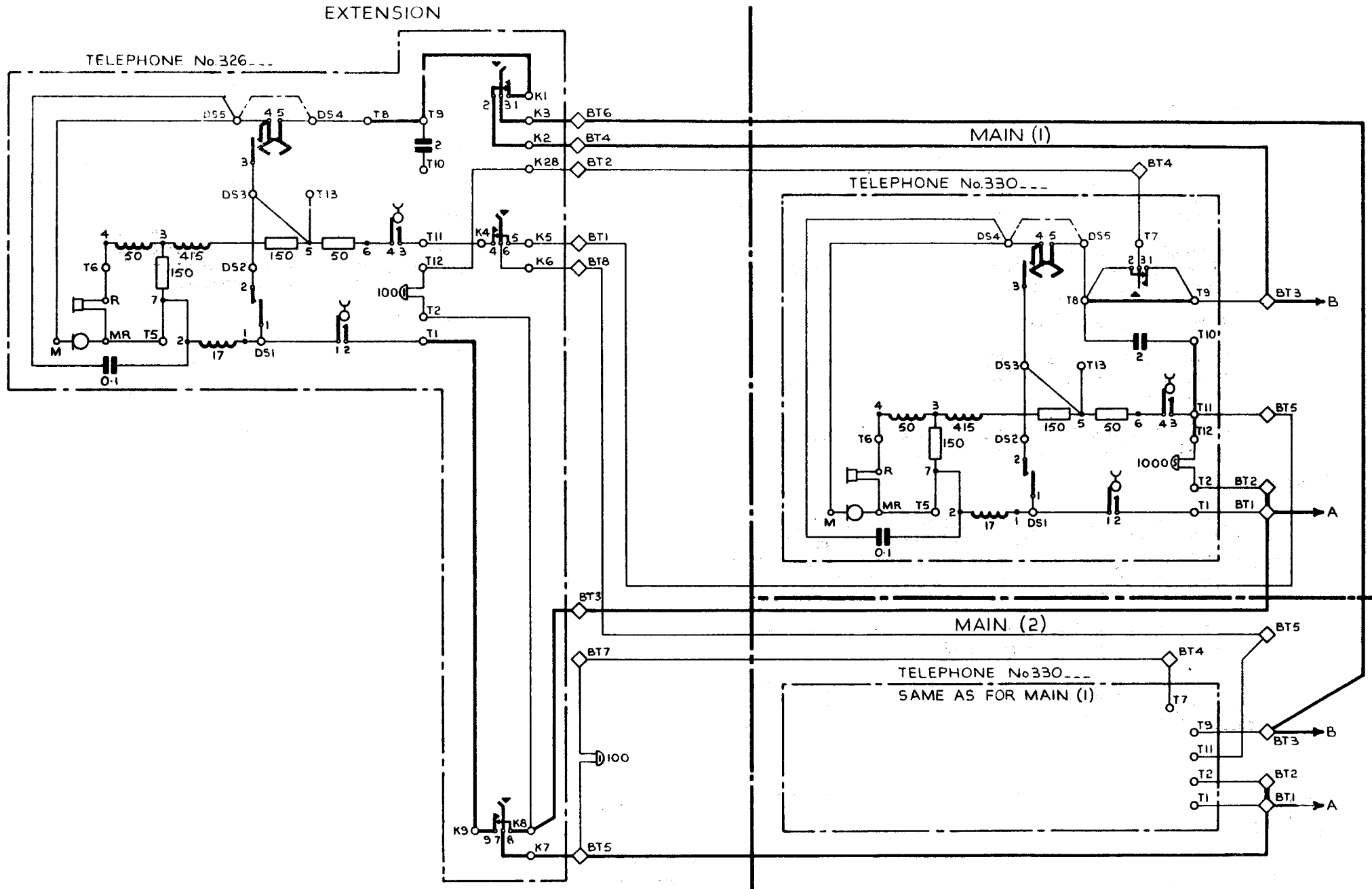
- A Key No. 303A, 2 Parts No. 1/SPL/325 (plunger complete) and Label No. 252G should also be requisitioned. The latch bracket control plate of the key mechanism should be set as indicated in Diagram N4301 Figure 8.

The following straps should be inserted between the key strip terminals and the telephone strip terminals K1-T9, K4-T11, K9-T1, K8-T2 & K28-T12. The straps between T10, T11 & T12 should be removed.

- Switch-hook release of the Key C when the handset is replaced should be provided for by removing the extension arm normally fitted on the side of the key chassis and fitting it in the appropriate position on the switch-hook.

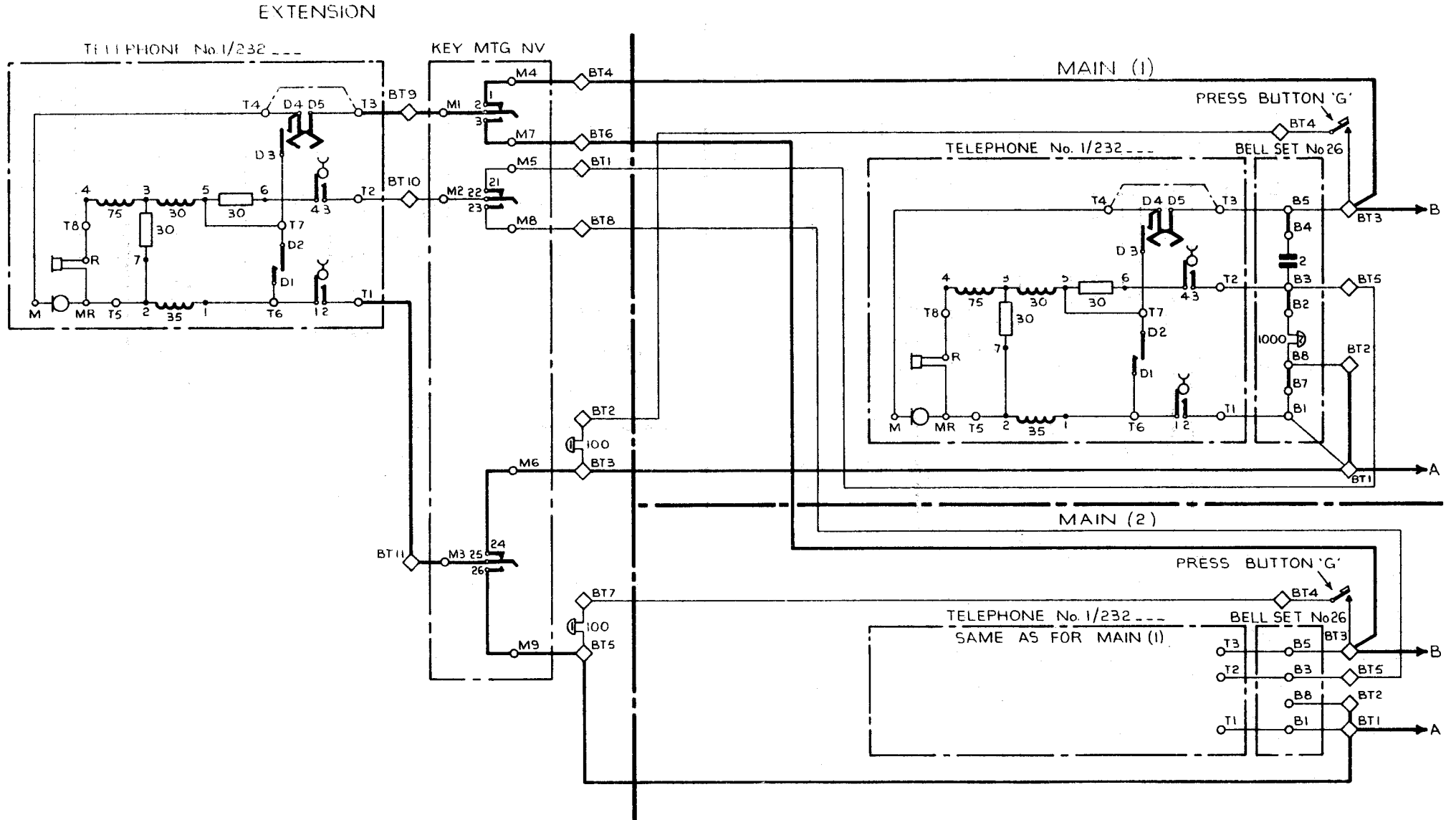
ELECTROCOMMUNICATIONS OPER:- Y STN:- & AUTO	ISSUE			
	A	NEW FORMAT, MINOR AMENDMENTS, MADE YELLOW	<i>ML</i>	TD7.1.1 21.6.74
				22.2.38.

EXPLANATORY



USING TELEPHONE No. 1/232 --- WITH BELL SET No. 26

EXPLANATORY



USING AT THE MAIN TELEPHONE No.1/232... WITH BELL-SET No.26 OR TELEPHONE No.330...
AND AT THE EXTENSION TELEPHONE No.1/232... OR 326...

WIRING

