

CB & AUTOMATIC SYSTEMS

SUBSCRIBERS, EXTENSION PLAN 5 & 5A INTERNAL ONLY

N4308
PAGE I-6
ISSUE H

NOTES:-

SEE PAGE 6 FOR APPARATUS SCHEDULE

GENERAL

1. This Dgm. shows Plans 5 & 5A using Bell Set No. 44 at the Main. The facilities are given on Dgm. N1428.
2. The second extension may be connected direct to the Main instead of via the first Extension if economical in cable. See Pages 4 and 5.
3. If an Extn. Bell is required connect in place of strap between BT1-BT2 (Main) or BT3-BT4 (Night Service Extn.)
4. In early pattern of Tele. No. 248... minus base the connexions to T6 & T8 were reversed. The early terminal number is shown in brackets.

MAIN.

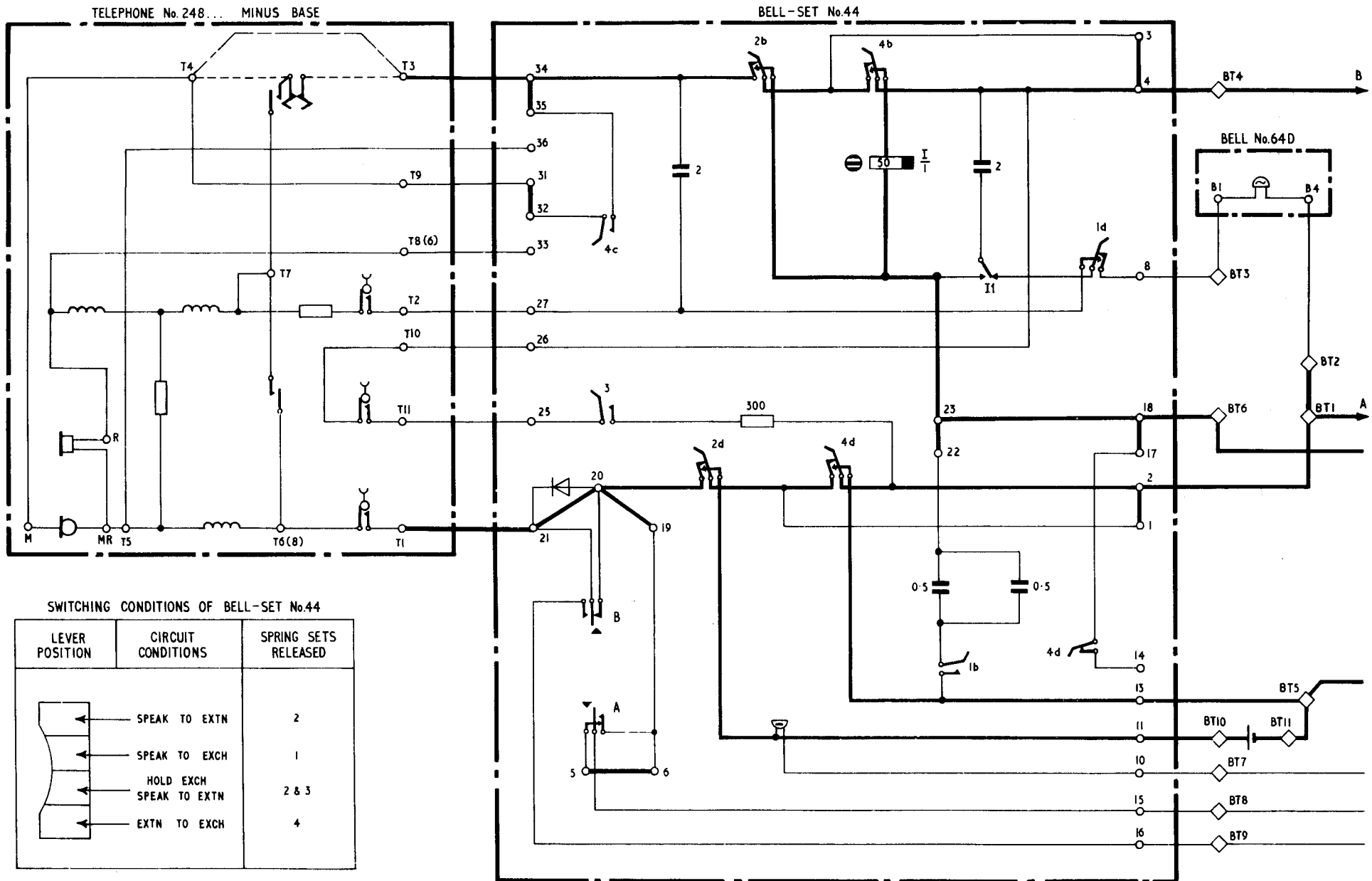
5. The Dgm. shows the connexions for Plan 5. For Plan 5A in Bell Set No. 44 remove straps 1-2, 3-4, 31-32, 34-35. Connect straps 32-33 & 35-36.
6. Remove dummy plate covering press-buttons & screw plates to the side of the indicator.

EXTENSIONS

7. Connect coils of Bell No. 56A and Bell No. 65A unmounted in Teles. No. 326 CB & No. 327... in parallel.
8. Night Service facilities may be provided at either extension but are shown on Extn. 1 of this diagram.
9. Fit a Key No. 302A-1 & appropriate plungers in Position B of the telephone. Fit Label No. 252E.
10. If intercommunication is required between extensions connect 2 or 3 Cells Dry R40 in place of strap between BT2-BT8 at Extension 2.

PO TELECOMMS HQRS COLOUR:-Y DISTN CB & AUTO	ISSUE		
	H	MADE YELLOW. REDRAWN. BELL SET 39 DELETED <i>UL</i> TD 7-1-1	13-6-74
	G	NEW FORMAT.	26:6:68

EXPLANATORY OF MAIN



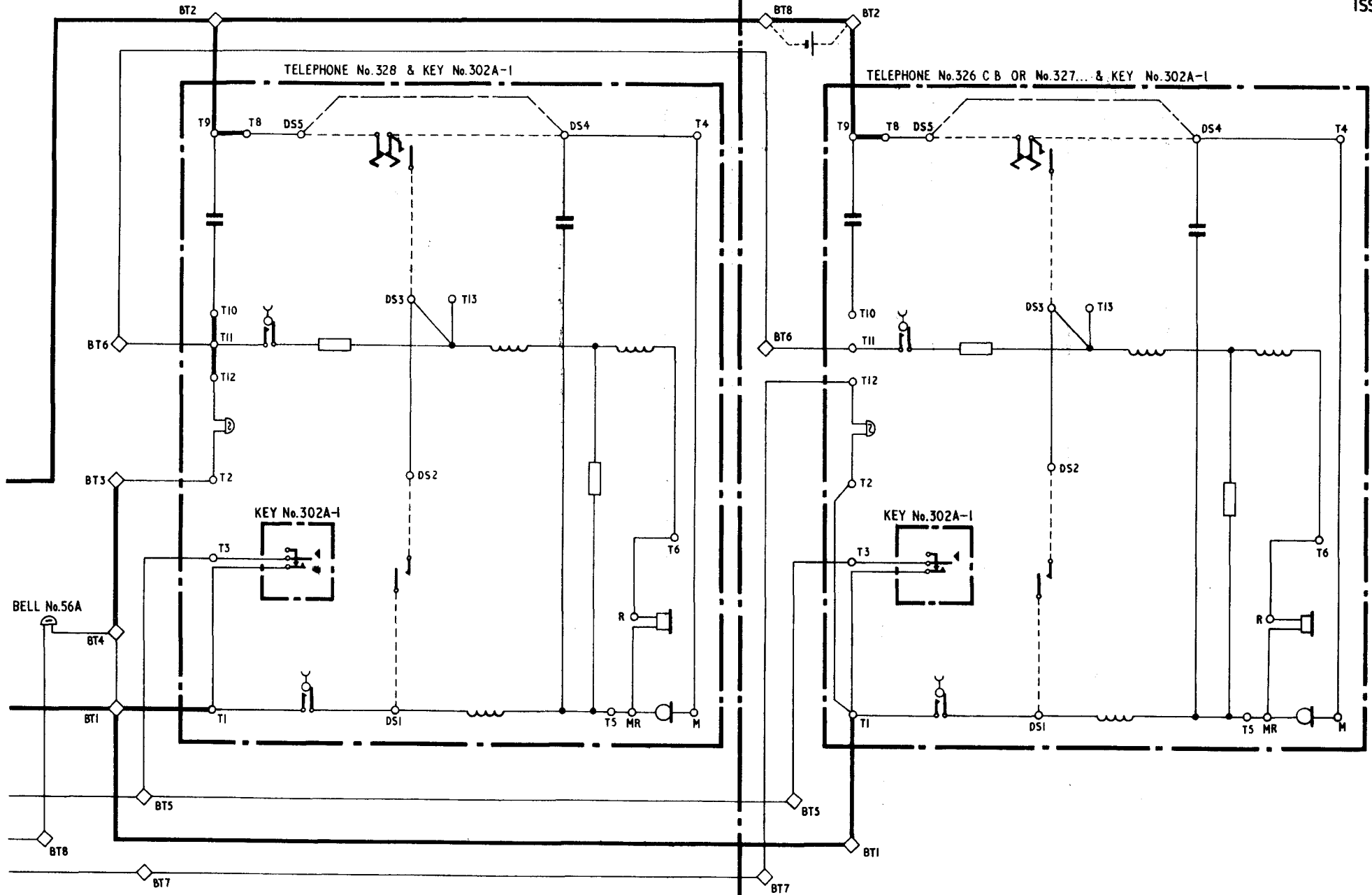
SWITCHING CONDITIONS OF BELL-SET No.44

LEVER POSITION	CIRCUIT CONDITIONS	SPRING SETS RELEASED
	SPEAK TO EXTN	2
	SPEAK TO EXCH	1
	HOLD EXCH	2 & 3
	SPEAK TO EXTN	2 & 3
	EXTN TO EXCH	4

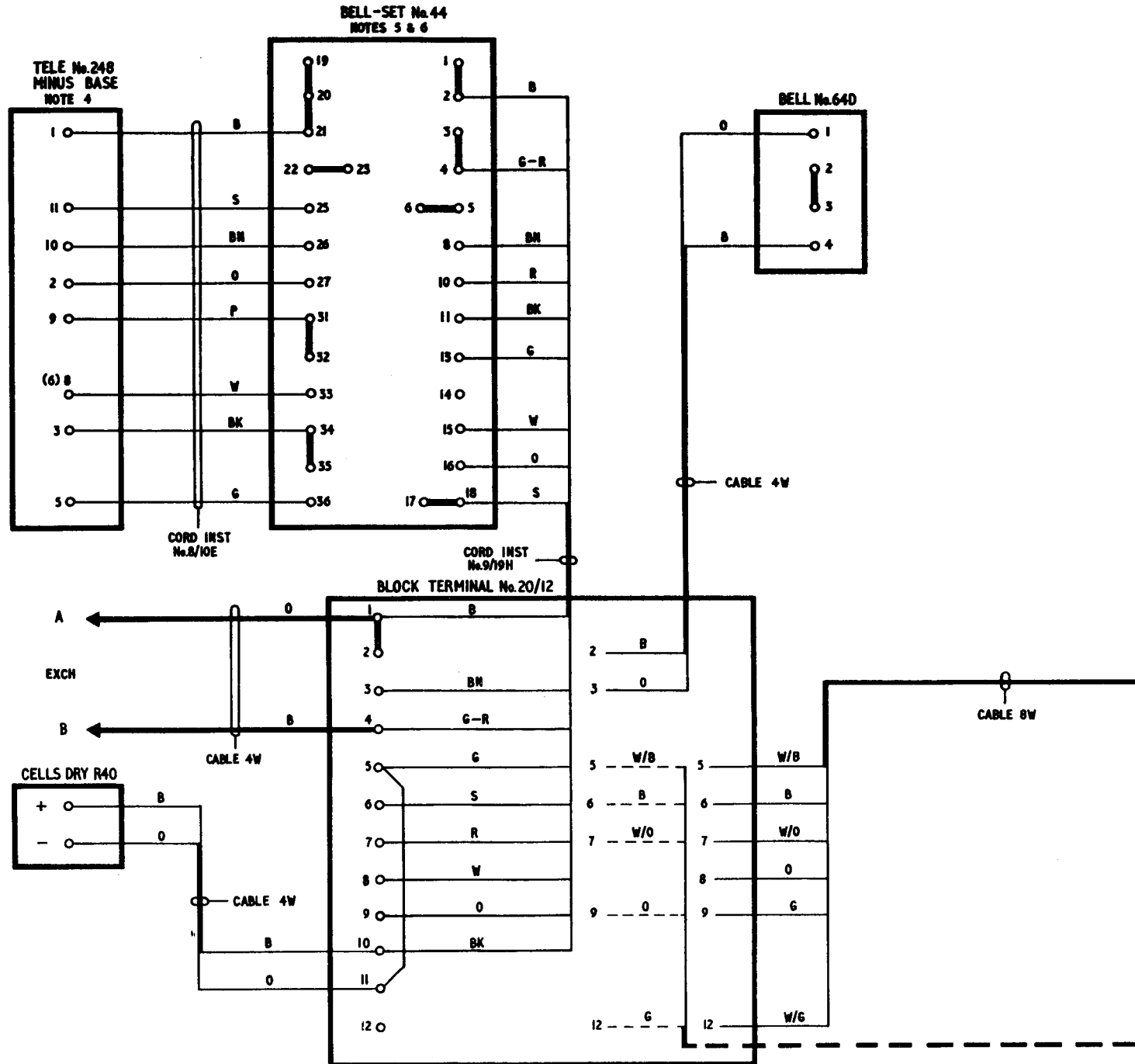
EXPLANATORY OF EXTENSIONS

EXTENSION 1

EXTENSION 2



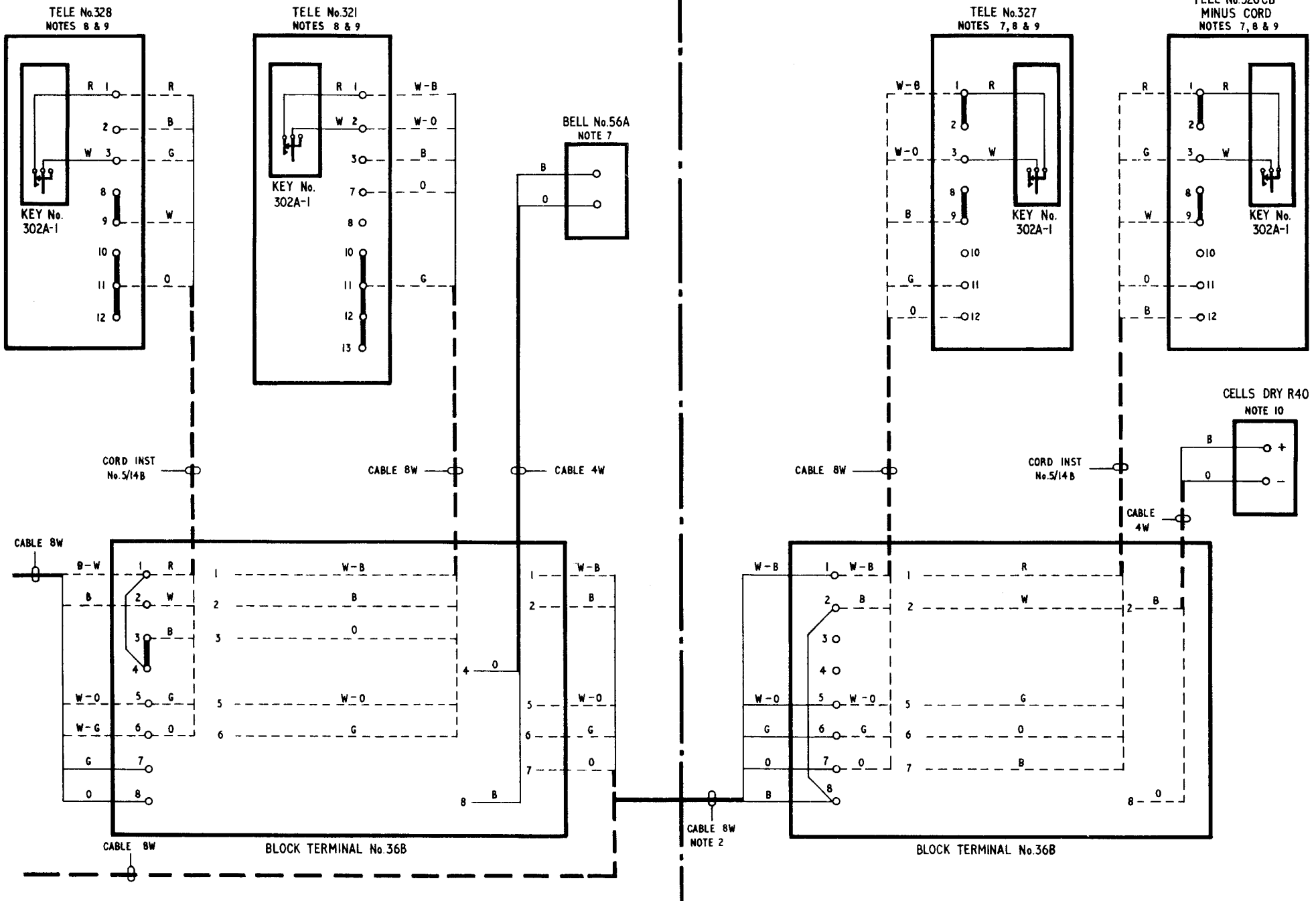
WIRING—MAIN



WIRING-EXTENSIONS

EXTENSION No.1

EXTENSION No.2



APPARATUS SCHEDULE

MAIN	FIRST EXTENSION		SECOND EXTENSION
	With Night Service	Without Night Service	
1 Bell Set No. 44 1 Tele. No. 248... minus base 1 Bell No. 64D 1 Box Battery No. 3 2 or 3 Cells Dry R40	1 Bell No. 56A 1 Block Terminal No. 36B 1 Key No. 302A-1 1 Label No. 252E And Either 1 Tele. No. 328... 1 Cord Inst. No. 5/14B... 1 Part No. 1/SPL/325 Or 1 Tele. No. 321... 1 Part No. 1/DPL/361	1 Block Terminal No. 36B 1 Key No. 302A-1 1 Label No. 252E And Either 1 Tele. No. 326 CB minus cord 1 Dial Auto. No. 21 FA 1 Cord Inst. No. 5/28E 5" 1 Cord Inst. No. 5/14B... 1 Part No. 1/SPL/325 Or 1 Tele. No. 327... 1 Part No. 1/DPL/361	1 Block Terminal No. 36B 1 Key No. 302A-1 1 Label No. 252E And Either 1 Tele. No. 326 CB minus cord 1 Dial Auto. No. 21 FA 1 Cord Inst. No. 5/28E 5" 1 Cord Inst. No. 5/14B... 1 Part No. 1/SPL/325 Or 1 Tele. No. 327... 1 Part No. 1/DPL/361 When Intercommunication between Extns. is req'd. 1 Box Battery No. 3 2 or 3 Cells Dry R40