

CB & AUTOMATIC SYSTEMS
SUBSCRIBER'S EXTENSION PLAN 4 (INTERNAL ONLY)
USING EITHER PLUGS No.612 & JACKS No.64A WITH TELEPHONES No.332...OR
PLUGS No.404 & JACKS No.65 WITH TELEPHONES No.1/232...OR ONE TELEPHONE No.332...

N4306
PAGE 1-4
ISSUE F

NOTES:-

1. Internal extension jack positions as required may be fitted for use with one or more plug terminated telephones. The full facilities of Plan 4 are given on Dgm. N 1427.
2. If more economical of cable the exchange line may be connected to any jack position instead of via the bell-set.
3. When one telephone only is required a Telephone No. 332... may be fitted as shown on page 3 using a Plug No. 404 with a Jack No. 65.
4. If more than one Telephone No. 332... is required the arrangement shown on page 2 using Plugs No. 612 & Jacks No. 64A should be used.
5. One or more Telephones No. 1/232... with Plugs No. 404 may be fitted with separate Bells No. 64D connected to the Jacks No. 65 as shown on page 3.
6. In Bell-set No. 26 remove strap between B7-B8.
7. If an extension bell is required connect Bell No. 64D in place of strap between B2-B3 of Bell-set No. 26 use Cable 4W and connect to Bell Terminals 1 & 4 with 2 & 3 strapped.

USING ONE TELEPHONE No. 332... (Page 3)

8. Recover Cord, Inst. No. 2/94B & Block Terminal No. 20/4. Fit Cord Inst. No. 4/92AB Grebe 72" & Plug No. 404. Remove strap from between T10-T11-T12.
9. Either Bells No. 64D or straps should be connected between J4-J4A of jack positions when using a Telephone No. 332...
10. Connect Strap J1-J4A at last jack position.

USING TWO OR MORE TELEPHONES No. 332... (Page 2)

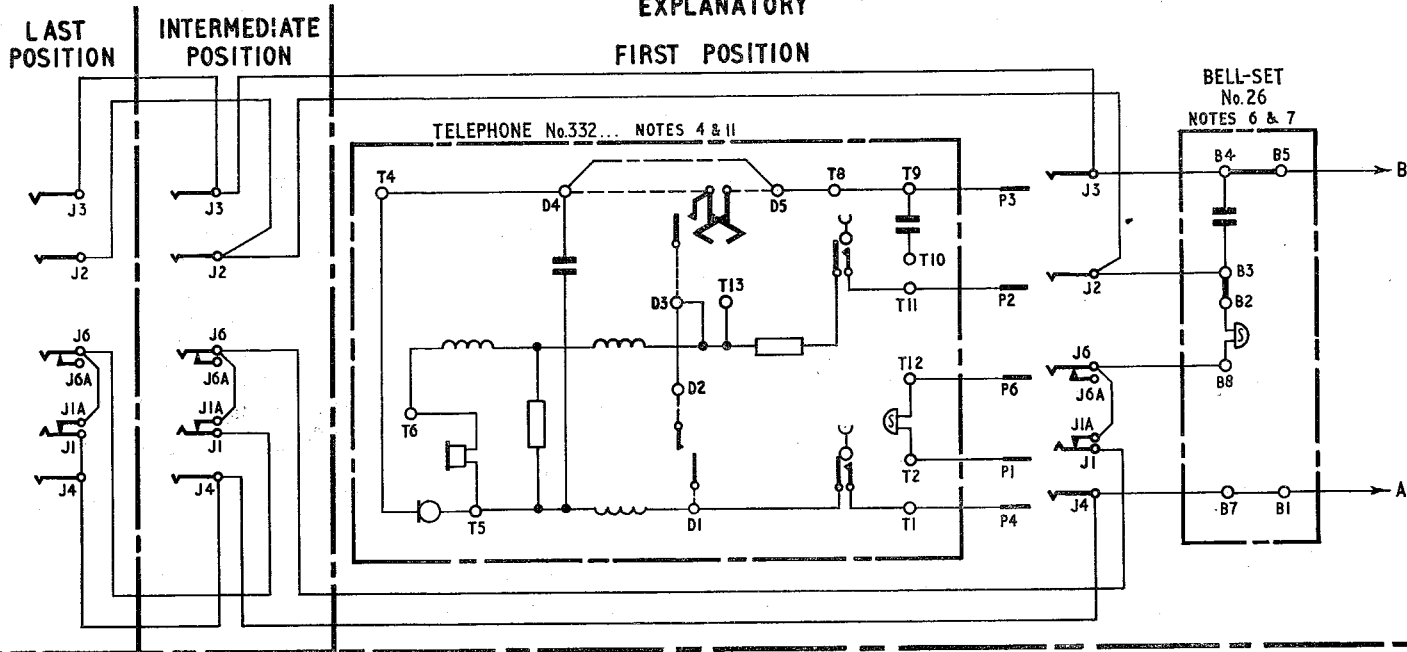
11. Remove Cord, Inst. No. 2/94B & Block Terminal No. 20/4. Fit Cord, Inst. No. 6/28B Brown 72" & Plug No. 612 remove straps from between T1-T2 & T10-T11-T12.
12. Connect Straps J1A-J6 at each jack position, & strap J1-J4 at last position.

USING ONE OR MORE TELEPHONES No. 1/232... (Page 3)

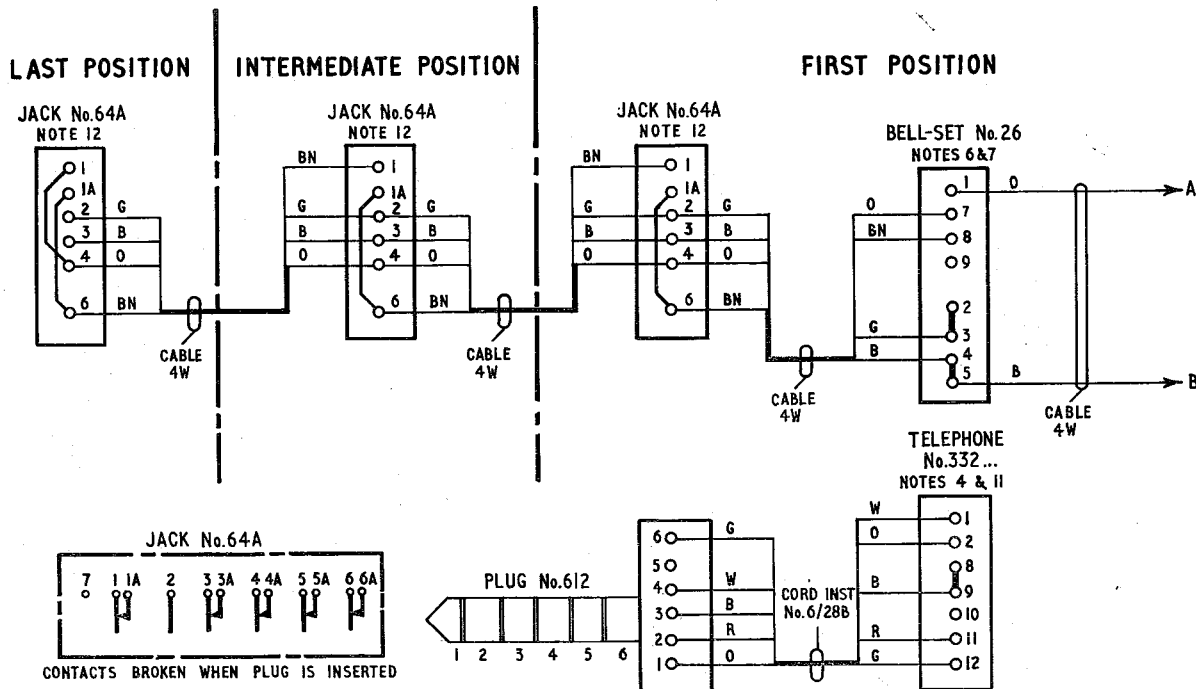
13. Remove Cord Inst. No. 3/62B... Fit Cord Inst. No. 4/92 AB Grebe 72" & Plug No. 404. In early Telephones No. 1/232... Terminals T6 & T8 were reversed, the earlier terminal numbers are shown in brackets.
14. At all jacks connect Bell No. 64D between J4-J4A except at positions where a bell permanently in circuit is audible, when J4-J4A should be strapped.
15. Connect Strap J1-J4A at last jack position.
16. Cords in which all conductors are not used. Cut the spare back at both ends.

PO TELECOMMS HQRS PAPER:- Y DISTN: CB & AUTO	ISSUE					
		F	NEW FORMAT. MINOR AMENDMENTS	ML	TD 2-3-1	21-11-73
		E	PAGES 1-9 MADE YELLOW	J. R. W.		7.12.72

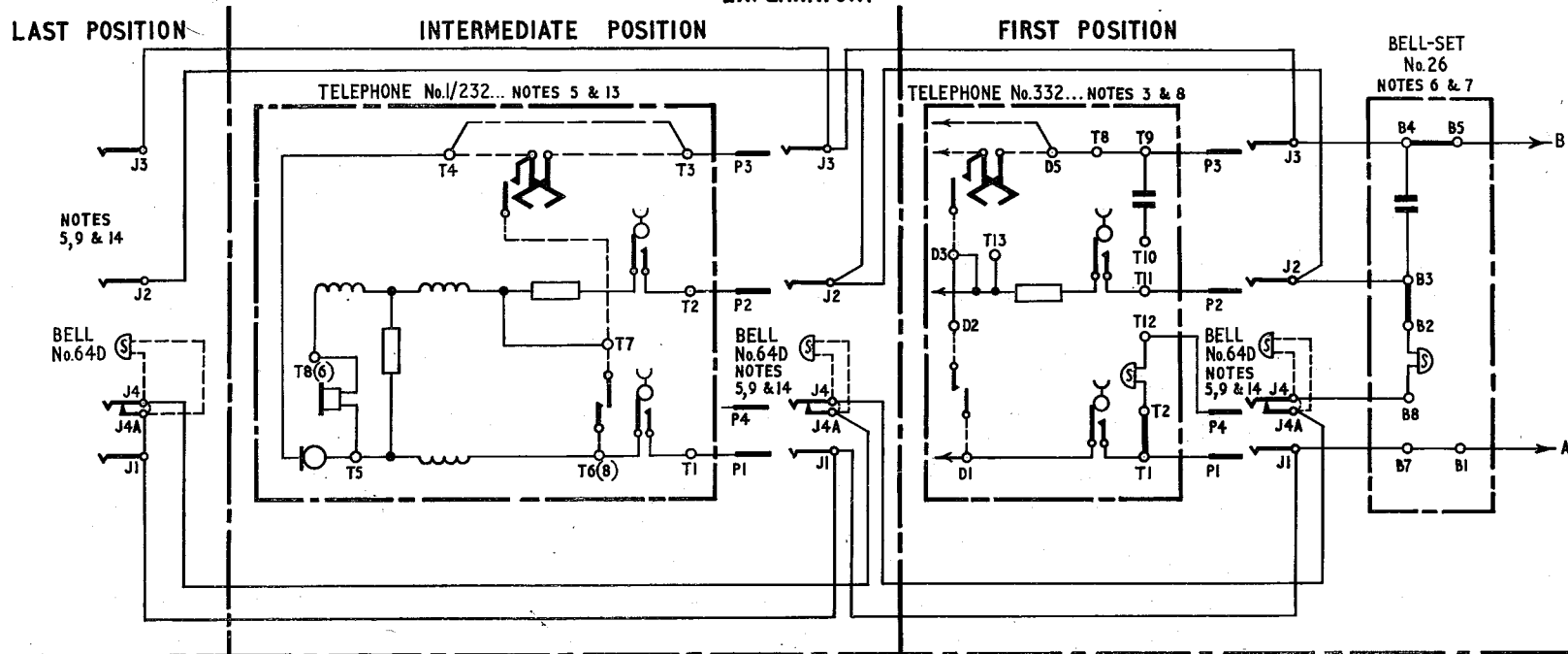
USING PLUGS No.612 AND JACKS No.64A WITH TWO OR MORE TELEPHONES No.332...
EXPLANATORY



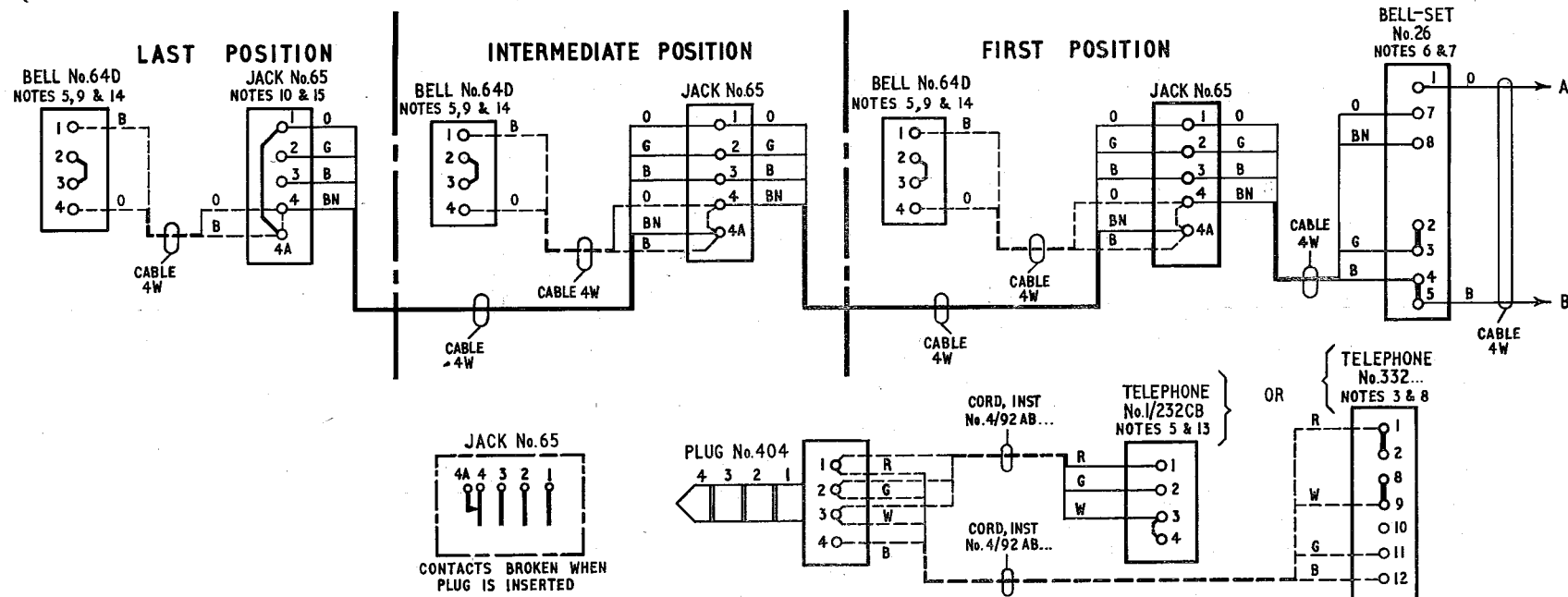
WIRING



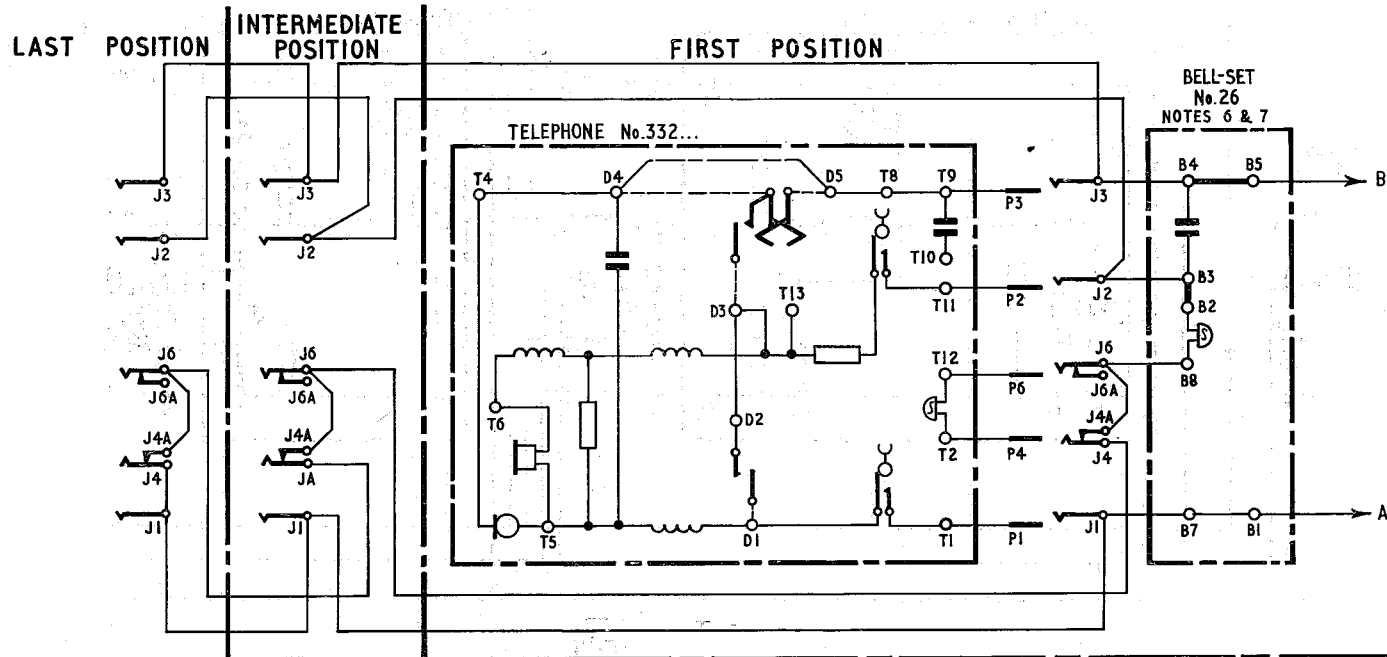
EXPLANATORY



WIRING



USING PLUGS No.612 AND JACKS No.64 WITH TELEPHONES No.332...
EXPLANATORY



WIRING

