

NOTES:-

6. (b) With Two Extensions:-, (Pages 5 and 6)

1 Telephone No. 328... minus cord.
1 Key No. 304A
2 Parts No. 1/SPL/325 (plunger)
1 Label No. 252B
1 Cord, Inst. No. 6/21B
1 Block, Terminal No. 36B
Connect T1-K9-K4, T3-K7 and T7-K6.
Set latch bracket control plate of the key as shown on Diagram N 4301 Fig. 5. Fit plungers in positions A and B and label on telephone.

(c) With Three Extensions:- (Pages 5 and 6)

1 Telephone No. 328... minus cord
1 Key No. 304A
3 Parts No. 1/SPL/325 (plunger)
1 Label No. 232B
1 Cord, Inst. No. 7/05B
1 Block, Terminal No. 36B
Connect T1-K9, T3-K7, T7-K6, K1-K4-K9 and connect K3 to BT7 for the bell lead to the 3rd extension.
Set latch bracket control plate of the key as shown on Diagram N 4301 Fig. 5. Fit plungers in positions A, B and C and label on telephone.

(d) With Four to Six Extensions:- (Pages 5 and 6)

1 Telephone No. 332...
1 Per Extension: Press-buttons "G"
1 Cord, Inst. No. 4/57B
1 Block, Terminal No. 36B
Change existing cord, inst. and block, terminal to above type and connect as follows:- BT1-Green-T1, BT2-Red-T2, BT3-BLUE-T9, BT4-WHITE-T11. Disconnect Strap T1-T2.
Connect Press-Buttons "G" as at main on pages 5 and 7 with all moving springs commoned and the fixed springs of Buttons 4-6 connected to BT8-10 with appropriate size of cable.

7. When Using Telephone No. 1/232...:-
With One to Six Extensions:- (Pages 5 and 7)

1 Telephone No. 1/232...

1 Bell-set No. 26
1 Per Extension: Press buttons "G"
1 Block, Terminal No. 36B
Connect press-buttons for 6 extensions as in note 6 (d).

8. If an extension bell is required connect in place of Strap BT1-BT2. In addition, if Telephone No. 1/232... if fitted remove strap between B7-B8 in Bell-set No. 26.

9. Where there is insufficient current to operate the D.C. bells the circuit may be connected direct to earth at the subscriber's premises instead of to the "A" line as shown on diagram.

AT EXTENSIONS (Each Station)

10. When Using Telephone No. 326CB:-

(a) For One Extension:- (Pages 3 and 4)

1 Telephone No. 326CB minus cord
1 Cord, Inst. No. 4/57B
1 Block Terminal No. 52A
Connect Strap T1-T2 and disconnect Strap T10-T11.

(b) For Two to Six Extensions:- (Pages 5 and 6)

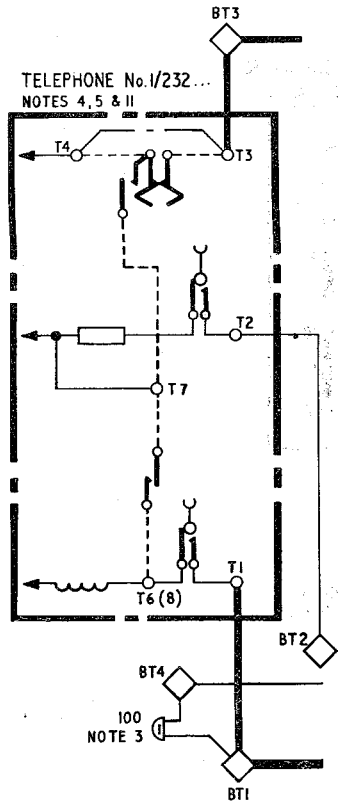
1 Telephone No. 326CB minus cord
1 Cord, Inst. No. 4/57B
1 Block Terminal No. 36B
Connect Strap T9-T12 and disconnect Strap T10-T11 for more than two extensions connect each additional station as an intermediate station.

11. When Using Telephone No. 1/232...:-
For One to Six Extensions:- (Pages 5 and 7)

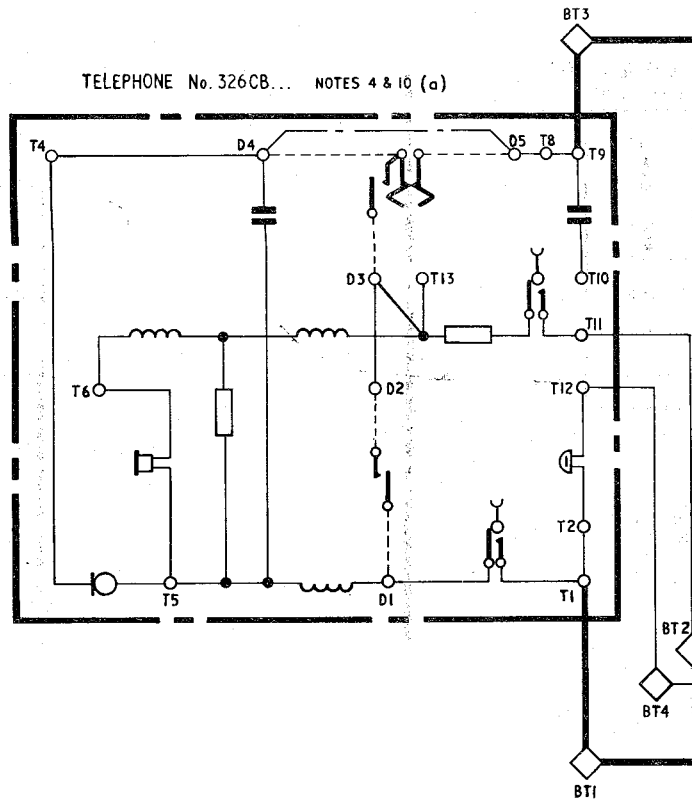
1 Telephone No. 1/232.
1 Bell No. 56A
1 Block Terminal No. 52A or 36B. Note 1

EXPLANATORY

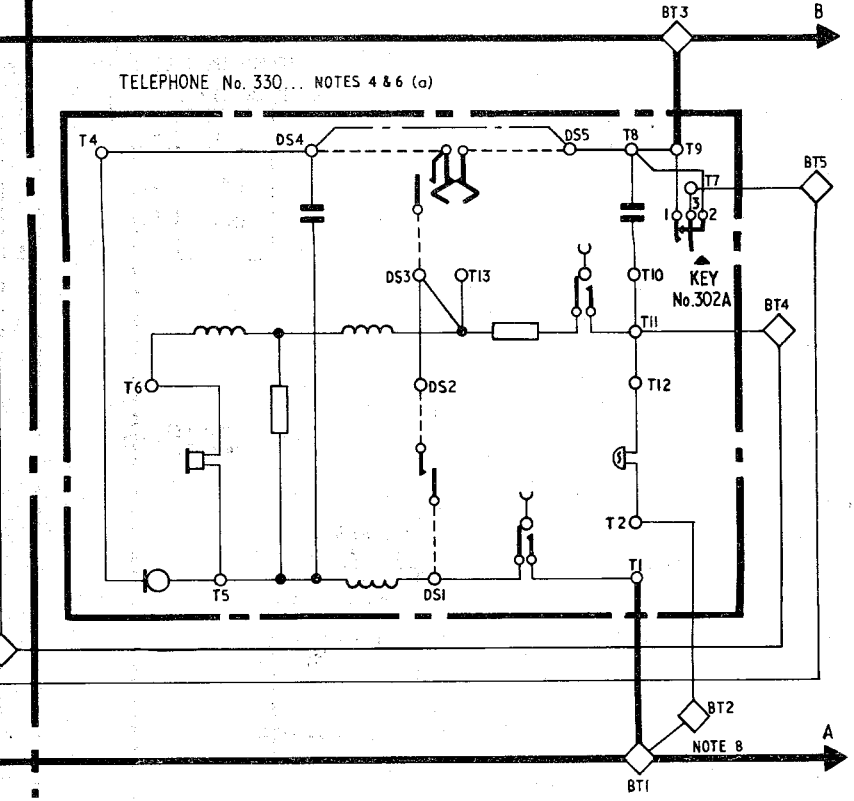
ALTERNATIVE
EXTENSION TELEPHONE



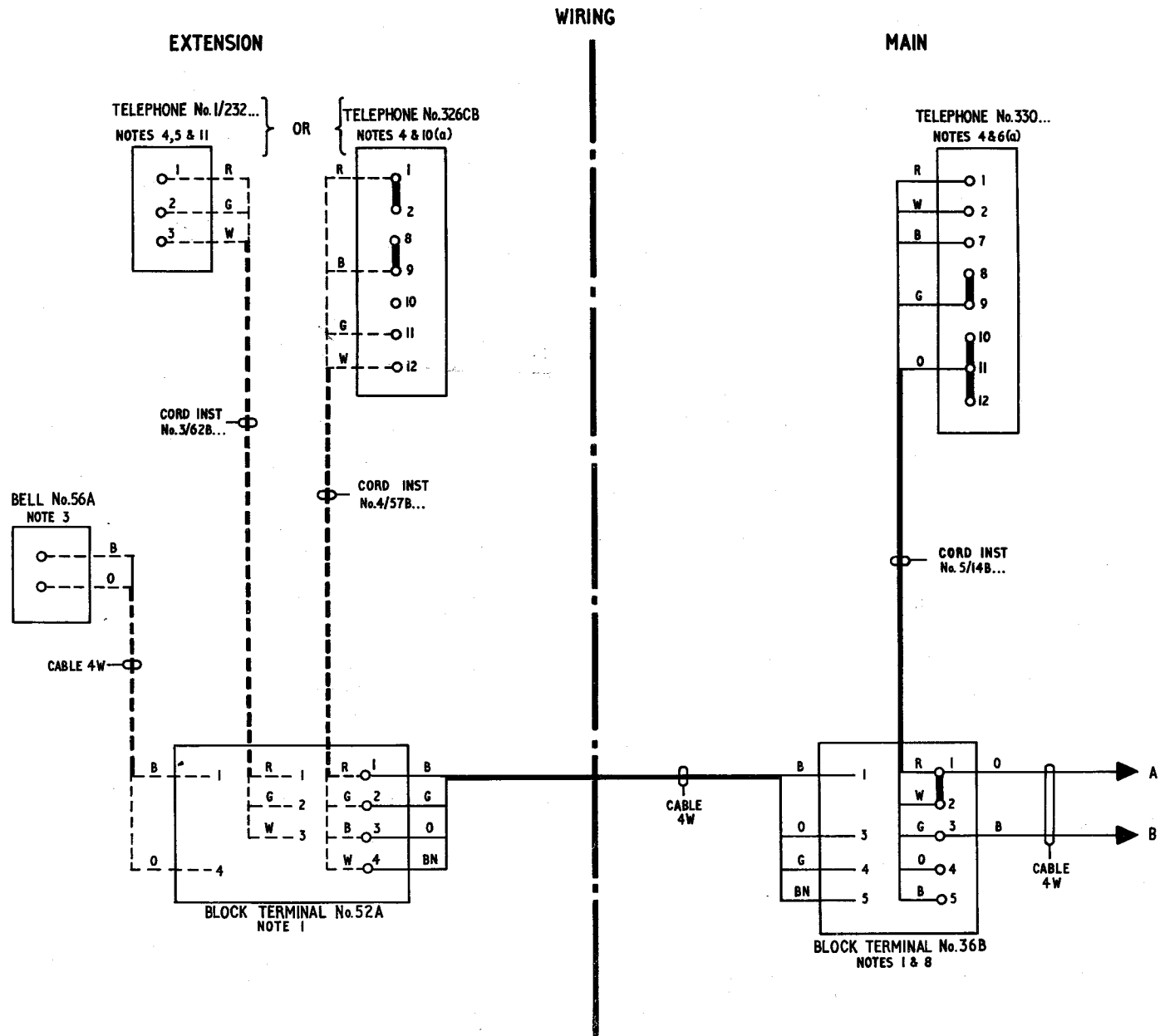
EXTENSION



MAIN

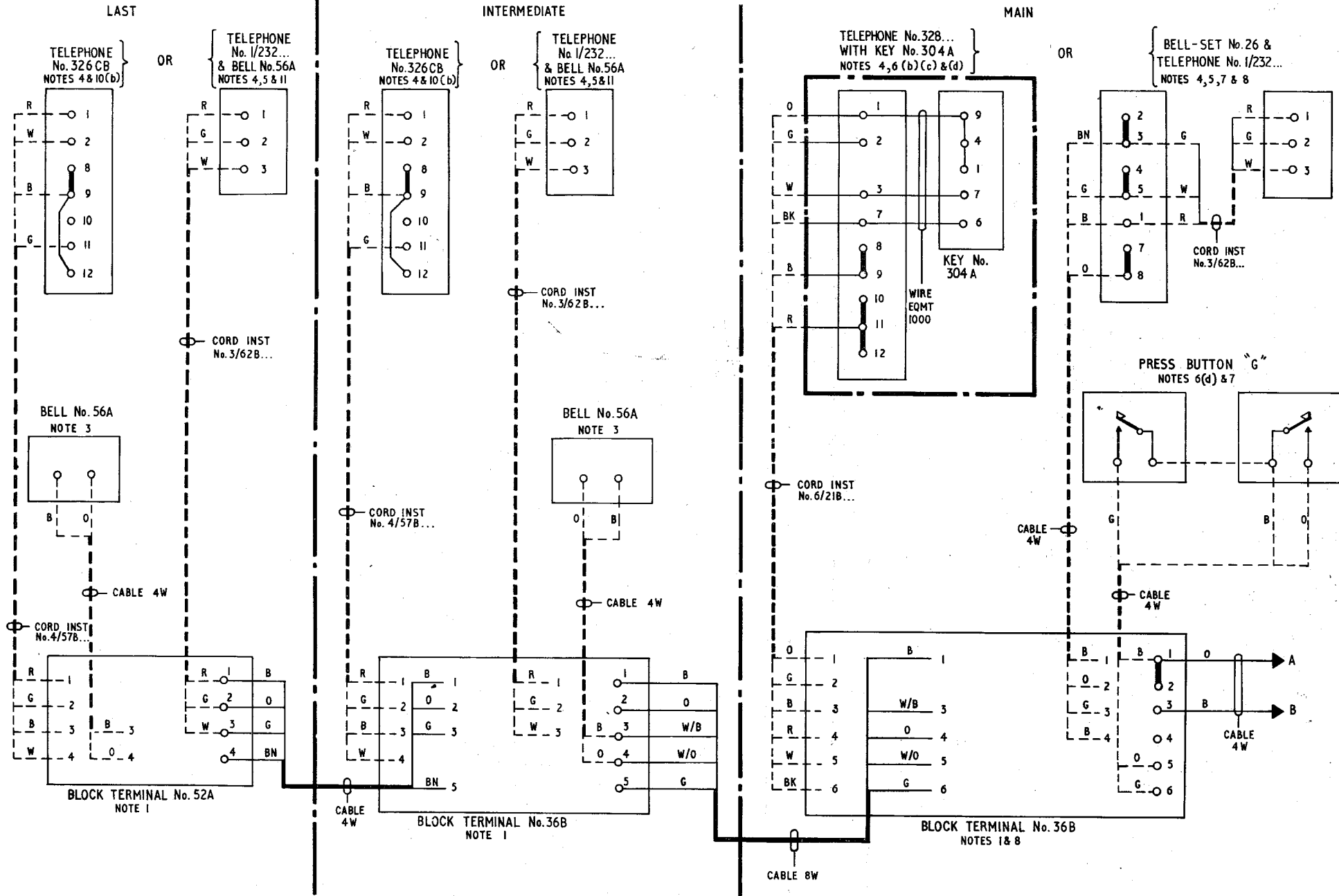


USING AT THE MAIN TELEPHONE No.330... AND AT THE
EXTENSION TELEPHONE No.326CB OR No.1/232...



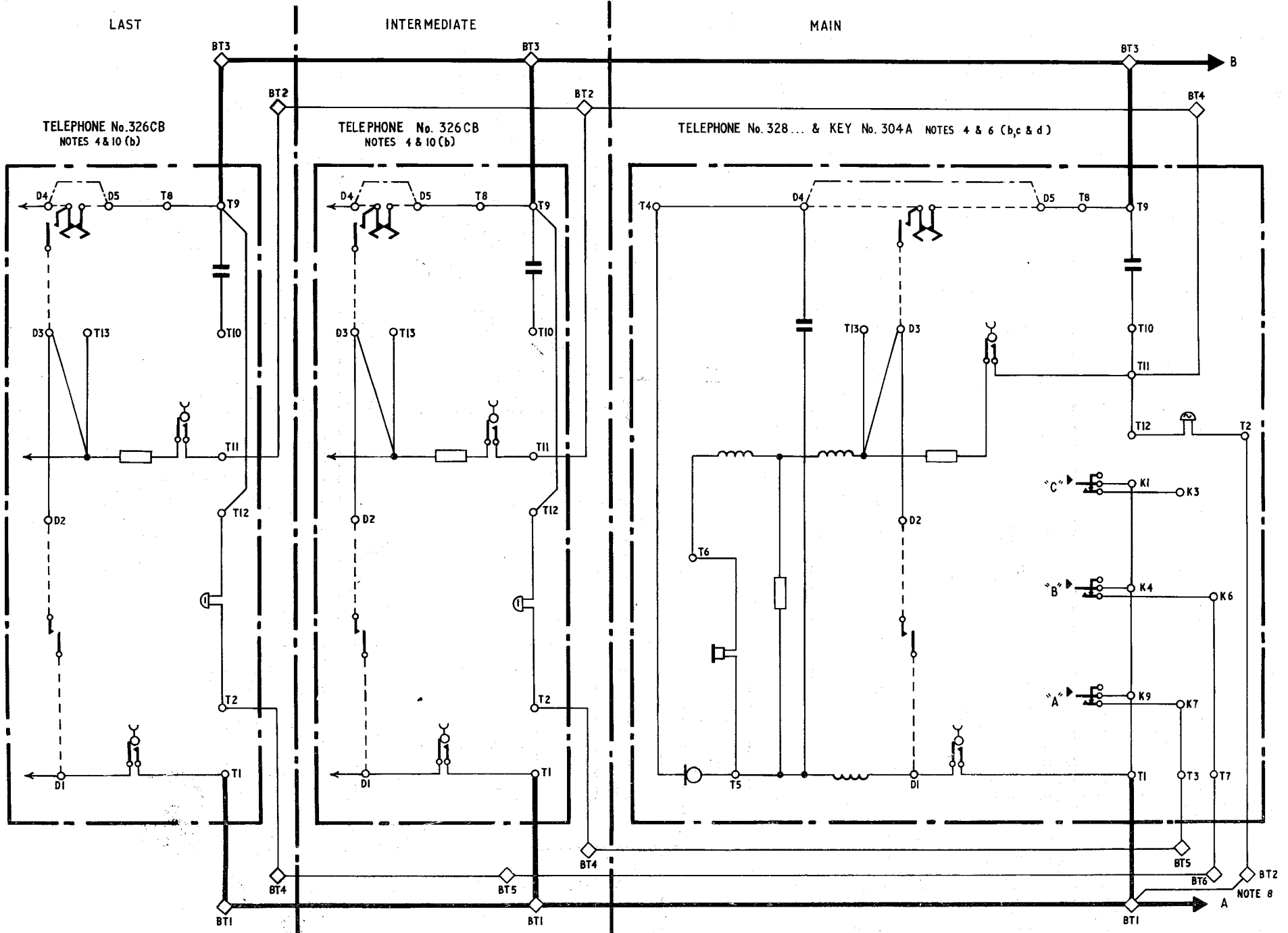
USING AT THE MAIN, TELEPHONE No. 1/232... WITH BELL-SET No. 26
OR TELEPHONES No. 328... OR No. 332... & AT THE EXTENSIONS
TELEPHONES No. 1/232... OR No. 326 CB

WIRING



USING AT THE MAIN TELEPHONE No. 328... OR 332... AND
AT THE EXTENSIONS TELEPHONE No. 326CB

EXPLANATORY



USING TELEPHONE No. 1/232... WITH BELL-SET No. 26

EXPLANATORY

