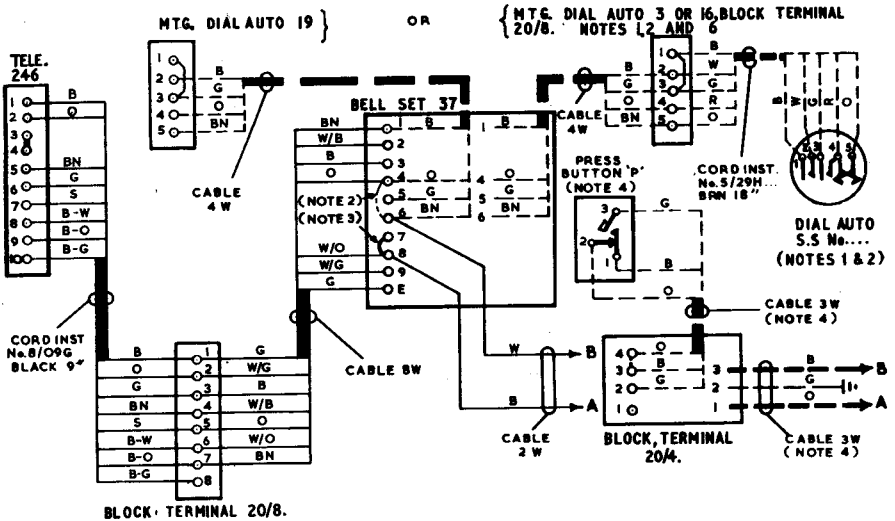


FOR INSTALLATION DETAILS SEE E.I. TELEPHONES, STATIONS A3301

WIRING

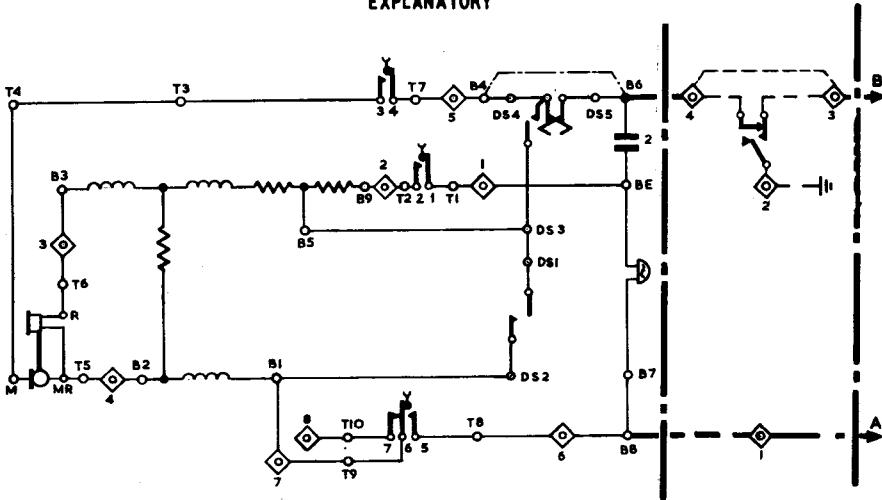


NOTES

1. Mounting Dial Auto 19 which contains its own dial supersedes Mounting Dial 16 with Dial Auto 10.
2. For C.B. system omit Mounting Dial Auto and strap terminals 4 and 6 in Bell Set.
3. Remove straps between terminals 7 and 8 in Bell Set and connect extension bell when required.
4. When operator recall is not required omit Press Button P and associated Block Terminal 20/4 and connect exchange lines direct to B6 and B8 on Bell-Set 37.
5. When used on P.M.B.X. extension omit straps BT3-BT4
6. When fitted as service Tele. in UAX13 on Mounting TP574 use Dial Mounting 3.

P.O.E.D. S BCH.	ISSUES			
		D	Minor amendments. <i>See W</i>	22. 1. 68.
		C	New format. Minor amendments <i>See W</i>	8-6-67
		B	Addition of MTG dial auto 19 KMA	16-3-60
PAPER: W CIRCULATION CB & AUTO	ISSUES	A	Redrawn, made 4 panels	17-11-58
		S1		17-3-39

EXPLANATORY



APPARATUS SCHEDULE

TYPE OF INSTALLATION	C.B. DEL. OR P.BX. EXTENSION WITHOUT RECALL FACILITY	AUTO DEL. OR P.BX. EXTENSION WITHOUT RECALL FACILITY	C.B. OR AUTO P.BX. EXTENSION WITH ENQUIRY TRANSFER OR OPERATOR RECALL FACILITY	SERVICE TELEPHONE IN UAX No. 13 MOUNTING JP574
Apparatus to be requisitioned	1 Telephone 246 1 Bell Set 37 1 Bracket MTG. BU (if required)	As for C.B. together with 1 Bracket MTG. BV (if required) and either 1 MTG. Dial-Auto. 16 or 1 Dial-Auto. 10 or 1 MTG. Dial-Auto. 19	As for C.B. or Auto. DEL. together with 1 Block Term. 20/4 1 Press Button P	1 Telephone 246 1 Bell Set 37 1 Block Term. 20/8 1 Cord Inst. 5/29 H. 18" 1 Mounting Dial-Auto. 3 1 Dial Auto.....