

CIRCULATION
CB & AUTO

CALL OFFICE CIRCUIT-AUTOMATIC SYSTEM-U.A.X.s 5 & 6.

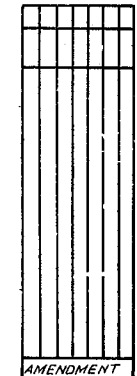
SUBSCRIBER'S EXTENSION WORKING, PLAN No. 1A (INTERNAL ONLY).

N 4246
3-12-36
4 PANELS-1

USING TELEPHONE No. 242, BELL SET No. 36 & BOX, C.C. No. 14E COMPLETE, OR

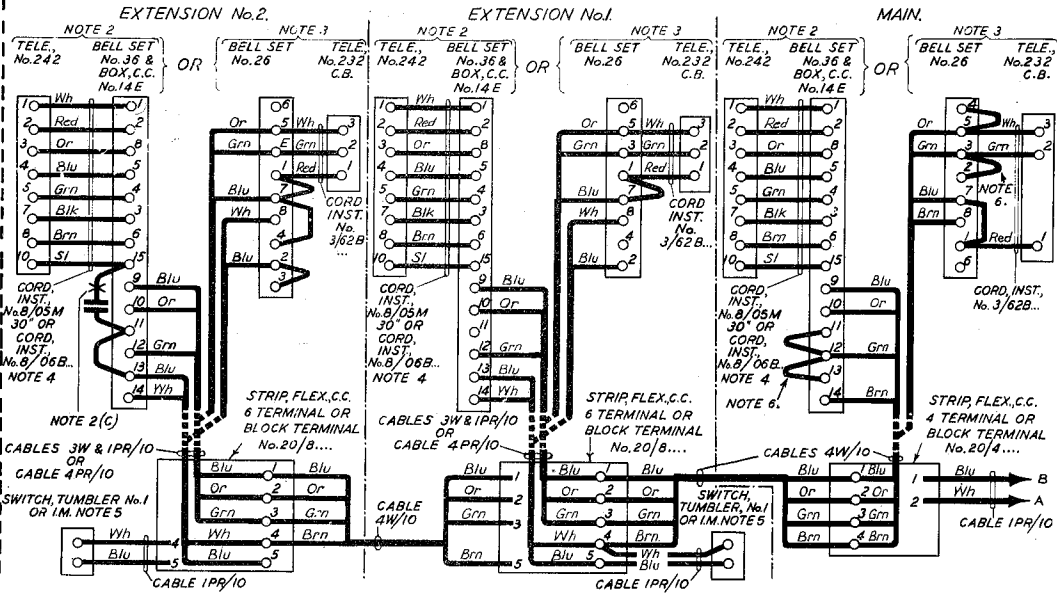
TELEPHONE No. 232 C.B. & BELL SET No. 26.

WIRING DIAGRAM.

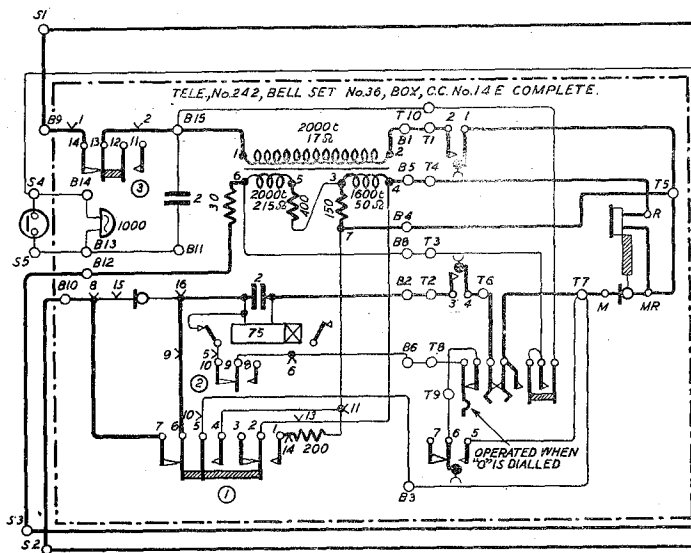


AMENDMENT

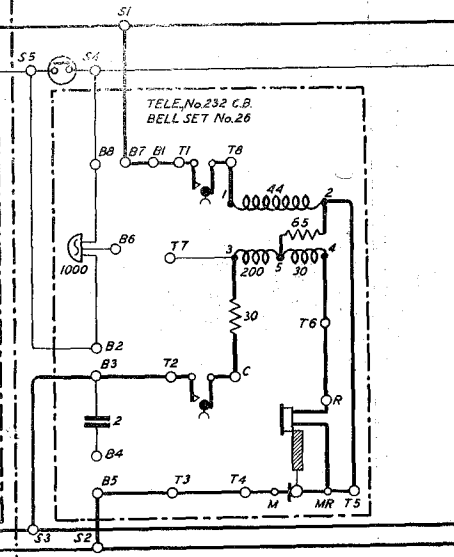
W



EXTENSION No.2



EXTENSION No.1

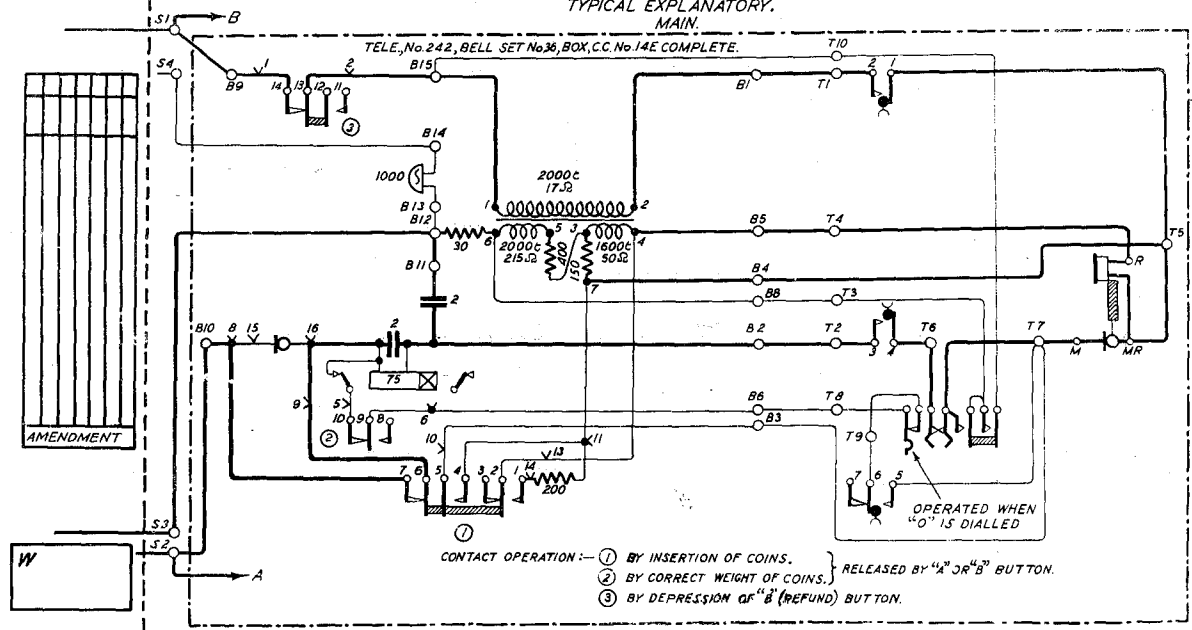


NOTE:-THE APPARATUS IN THE PANELS SHOWN WITH CHAIN DOT LINE MAY BE INTERCHANGED BETWEEN THE STATIONS AS REQUIRED
NUMBERS REFER TO TERMINALS B=BELL SET S=STRIP T=TELEPHONE

CIRCULATION
C.B. & AUTO.

CALL OFFICE CIRCUIT-AUTOMATIC SYSTEM-U.A.Xs 5&6
 SUBSCRIBER'S EXTENSION WORKING, PLAN No.1A - (INTERNAL ONLY)
 USING TELEPHONE No.242, BELL SET No.36 & BOX.C.C.No.14E COMPLETE
 OR TELEPHONE No.232 C.B. & BELL SET No.26.
 TYPICAL EXPLANATORY.

N 4246
 3-12-31
 4 PANELS-3



CONTACT OPERATION :-

- ① BY INSERTION OF COINS.
- ② BY CORRECT WEIGHT OF COINS. } RELEASED BY "A" OR "B" BUTTON.
- ③ BY DEPRESSION OF "B" (REFUND) BUTTON.

NOTES.

1. A COIN BOX MAY BE FITTED AT ANY ONE OR ALL OF THE STATIONS AS REQUIRED. IF ONLY ONE EXTENSION IS REQUIRED, LOCAL WIRING AND APPARATUS AT EXTENSION No.1 AND CONNECT AS FOR EXTENSION No.2.
2. "TELEPHONE No.242, BELL SET No.36 AND BOX, C.C.No.14E COMPLETE, IS THE STANDARD APPARATUS AT STATIONS EQUIPPED WITH A COIN BOX. A BASE (PART 1/11004) FOR TELEPHONE SHOULD BE REQUISITIONED SEPARATELY AND FITTED LOCALLY. THE FOLLOWING MODIFICATIONS SHOULD BE MADE IN "BELL SET No.36":-
 - (1) MAIN STATION. REMOVE STRAP BETWEEN TERMINALS 14 AND 15.
 - (2) EXTENSION No.1. REMOVE STRAPS BETWEEN TERMINALS 11,12 AND 13 AND BETWEEN 14 AND 15.
 - (3) EXTENSION No.2. (A) REMOVE STRAPS BETWEEN TERMINALS 11,12 AND 13 AND BETWEEN 14 AND 15.
(B) STRAP TERMINALS 11 AND 13.
(C) REMOVE ORANGE CONNEXION BETWEEN TERMINAL 2 AND CONDENSER. TRANSFER ORANGE-WHITE CONNEXION FROM CONDENSER TO TERMINAL 2. CONNECT FREE CONDENSER TAG TO TERMINAL 15.
3. "TELEPHONE No.232 C.B." AND "BELL SET No.26" IS THE STANDARD APPARATUS AT STATIONS WITHOUT A COIN BOX. THE FOLLOWING MODIFICATIONS SHOULD BE MADE IN "BELL SET No.26":-
 - (1) MAIN STATION. REMOVE STRAP BETWEEN TERMINALS 7 AND 8.
 - (2) EXTENSION No.1. REMOVE STRAPS BETWEEN TERMINALS 2 AND 3, TERMINALS 4 AND 5 AND TERMINALS 7 AND 8.
 - (3) EXTENSION No.2. (A) REMOVE STRAPS BETWEEN TERMINALS 4 AND 5 AND TERMINALS 7 AND 8.
(B) STRAP TERMINALS 4 AND 7.
4. WHERE THE EQUIPMENT (AT STATIONS WITH COIN BOX) IS REQUIRED TO BE MOUNTED ON A WALL, A "WALLBOARD....." (SMALLEST REASONABLE SIZE), SHOULD BE USED AND THE NECESSARY EQUIPMENT MOUNTED THEREON IN A NEAT AND SYMMETRICAL MANNER, THE TELEPHONE BEING FITTED ON A "BRACKET TELEPHONE No.12." THE CORD SHOULD BE PASSED THROUGH A HOLE IN THE WALLBOARD IMMEDIATELY BEHIND THE TELEPHONE AND TERMINATED ON THE CONNEXION STRIP INSIDE THE BELL SET. WHERE THE EQUIPMENT IS REQUIRED TO STAND ON A DESK OR TABLE, A "BACKBOARD FOR BOX, C.C.No.14A" SHOULD BE PROVIDED AND A "CORD, INST.No.8/05B....." USED FOR THE CONNEXIONS BETWEEN THE TELEPHONE AND BELL SET, IN LIEU OF THE "CORD, INST.No.8/05M.30." A "STRIP, FLEX., C.C.12 TERL." SHOULD BE FITTED, IF NECESSARY.
5. FIT TWO LABELS No.21 ENGRAVED "NORMAL" AND "BELL" ENGRAVING 12B1, IF "SWITCH, TUMBLER No.1" IS FITTED.
6. REMOVE STRAP BETWEEN TERMINALS 12 & 13 IN "BELL SET No.36" OR STRAP BETWEEN TERMINALS 2 & 3 IN "BELL SET No.26" AT MAIN STATION & CONNECT EXTENSION BELL WHEN REQUIRED.
7. THIS DIAGRAM SUPERSEDES FOR NEW WORK:- N 3322, N 3323, N 3324, N 3325, N 3326, N 3327.

N.B. PARTICULARS OF FACILITIES ETC. ON PLAN No.1A ARE SHOWN ON DIAGRAM N 1425.
THE MECHANICAL FEATURES OF "BOX C.C.No.14E" ARE SHOWN ON DIAGRAM N 1185.
THE FOLLOWING DIAGRAMS SHOW THE INTERNAL CONNEXIONS OF:-

- (1) "BELL SET No.26" N 526
- (2) "BELL SET No.36" N 536
- (3) "TELEPHONE No.232 C.B." N 332
- (4) "TELEPHONE No.242" N 342