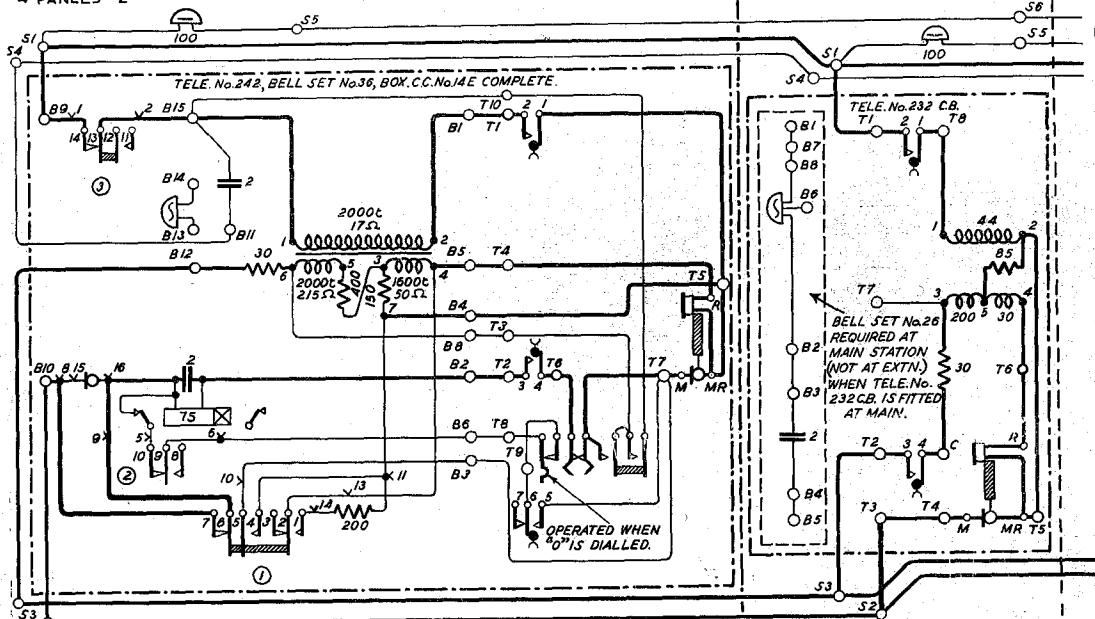


N4245
4 PANELS - 2

LAST

INTERMEDIATE



NOTE:-- THE APPARATUS IN THE PANELS SHOWN WITH CHAIN DOT LINE MAY BE INTERCHANGED BETWEEN THE STATIONS AS REQUIRED
NUMBERS REFER TO TERMINALS. B=BELL SET. S=STRIP. T=TELEPHONE.

CIRCULATION
C.B. & AUTO.

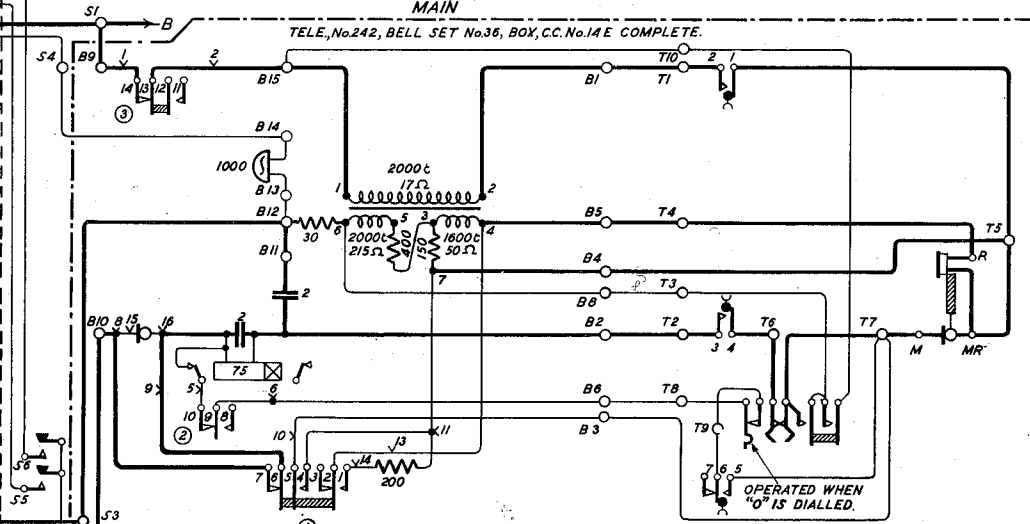
CALL OFFICE CIRCUIT—AUTOMATIC SYSTEM—U.A.Xs 5&6
SUBSCRIBER'S EXTENSION WORKING, PLAN No.1—(INTERNAL ONLY).
 USING TELEPHONE No.242 BELL SET No.36 & BOX.C.C. No.14E COMPLETE
 OR TELEPHONE No.232 C.B. & BELL, SET No.26
 EXPLANATORY
 MAIN

N 4245
 3-12-36
 4 PANELS-3

TELE. No.242, BELL SET No.36, BOX, C.C. No.14E COMPLETE.



W



CONTACT OPERATION—

① BY INSERTION OF COINS	} RELEASED BY "A" OR "B" BUTTON.
② BY CORRECT WEIGHT OF COINS	
③ BY DEPRESSION OF "B" (REFUND) BUTTON.	

NOTES.

1. UP TO SIX EXTENSIONS MAY BE FITTED ON A PLAN No.1, AND A COIN BOX PROVIDED AT ANY ONE OR ALL OF THE STATIONS.
2. THE SIZE OF THE "CABLES "N" W/10" AND "STRIPS, FLEX, C.C." "N" TERMINAL" AT MAIN AND INTERMEDIATE STATIONS WILL BE DETERMINED BY THE NUMBER OF EXTENSIONS. IF ONLY ONE EXTENSION IS REQUIRED OMIT WIRING AND APPARATUS AT THE INTERMEDIATE STATION AND CONNECT AS FOR LAST STATION.
3. "TELEPHONE No.242," "BELL SET No.36" AND "BOX, C.C. No.14E COMPLETE" IS THE STANDARD APPARATUS AT STATIONS EQUIPPED WITH A COIN BOX. A BASE (PART 1/11004) FOR TELEPHONE SHOULD BE REQUISITIONED SEPARATELY AND FITTED LOCALLY. THE FOLLOWING MODIFICATIONS SHOULD BE MADE IN "BELL SET No.36":-
 - (1) MAIN STATION. REMOVE STRAP BETWEEN TERMINALS 14 & 15.
 - (2) INTERMEDIATE STATION. REMOVE STRAPS BETWEEN TERMINALS 11, 12 & 13 AND BETWEEN 14 & 15.
 - (3) LAST STATION. (a) REMOVE STRAPS BETWEEN TERMINALS 11, 12 & 13 AND BETWEEN 14 & 15.
(b) REMOVE ORANGE CONNEXION BETWEEN TERMINAL 2 AND CONDENSER. TRANSFER ORANGE-WHITE CONNEXION FROM CONDENSER TO TERMINAL 2. CONNECT FREE CONDENSER TAG TO TERMINAL 15.
4. "TELEPHONE No.232 C.B." IS THE STANDARD APPARATUS AT STATIONS WITHOUT A COIN BOX. A "BELL SET No.26" IS ALSO REQUIRED AT THE MAIN STATION IF A COIN BOX IS NOT FITTED. THE STRAP BETWEEN TERMINALS 7 & 8 SHOULD BE REMOVED.
5. WHEN A "TELEPHONE No.232 C.B." IS REQUIRED AT THE LAST STATION A "CONDENSER M.C. No.102" (MOUNTED IN A SUITABLE CASE) OR ALTERNATIVELY A "CONDENSER No. 2MF IN CASE" SHOULD BE REQUISITIONED SEPERATELY AND FITTED LOCALLY.
6. WHEN THE EQUIPMENT (AT STATIONS WITH COIN BOX) IS REQUIRED TO BE MOUNTED ON A WALL, A "WALLBOARDx..." (SMALLEST REASONABLE SIZE) SHOULD BE USED AND THE NECESSARY EQUIPMENT MOUNTED THEREON IN A NEAT AND SYMMETRICAL MANNER. THE TELEPHONE BEING FITTED ON A "BRACKET, TELEPHONE No.12" THE CORD SHOULD BE PASSED THROUGH A HOLE IN THE WALLBOARD IMMEDIATELY BEHIND THE TELEPHONE AND TERMINATED ON THE CONNEXION STRIP INSIDE THE BELL SET. WHERE THE EQUIPMENT IS REQUIRED TO STAND ON A DESK OR TABLE, A "BACKBOARD FOR BOX, C.C. No.14A" SHOULD BE PROVIDED AND A "CORD INST, No.8/06 B..." USED FOR THE CONNEXIONS BETWEEN THE TELEPHONE AND BELL SET, A "STRIP, FLEX, C.C. 12 TERMINAL" BEING FITTED IF NECESSARY.
7. REMOVE STRAP BETWEEN TERMINALS 12 & 13 IN BELL SET No. 36 AND STRAP BETWEEN TERMINALS 2 & 3 IN BELL SET No.26 AT MAIN STATION AND CONNECT EXTENSION BELL WHEN REQUIRED.
8. THIS DIAGRAM SUPSEDES FOR NEW WORK:- N 3302, N 3303, N 3304, N 3305.

N.B. PARTICULARS OF FACILITIES ETC. ON PLAN No.1A ARE SHOWN ON DIAGRAM N 1424.
THE MECHANICAL FEATURES OF "BOX C.C.No.14E" ARE SHOWN ON DIAGRAM N1185.
THE FOLLOWING DIAGRAMS SHOW THE INTERNAL CONNEXIONS OF:-

- (1) "BELL SET No.26" - N 526,
- (2) "BELL SET No. 36" - N 536
- (3) "TELEPHONE No.232 C.B." - N 332
- (4) "TELEPHONE No.242" - N 342.

CIRCULATION
C.B. & AUTO.

CALL OFFICE CIRCUIT-AUTOMATIC SYSTEM-U.A.Xs 5&6
 SUBSCRIBER'S EXTENSION WORKING, PLAN No.1A - (INTERNAL ONLY)
 USING TELEPHONE No.242, BELL SET No.36 & BOX.C.C.No.14E COMPLETE
 OR TELEPHONE No.232 C.B. & BELL SET No.26.
 TYPICAL EXPLANATORY.

N 4246
 3-12-31
 4 PANELS-3

