

**CALL OFFICE CIRCUIT-AUTO SYSTEM
EXCEPT U.A.X's 5 & 6
SUBSCRIBERS EXTENSION PLAN 12A (INTERNAL ONLY)**

**N 4236
PAGE 1-3
ISSUE A**

APPARATUS

STATION WITH COIN BOX

- Telephone No.238 minus cord
- Bell Set No.33
- Box, Coin Collecting No.14E complete
- Wall Board, D906050 or D906051
- Bracket, Telephone No.12
- Part 1/SBA/2
- Block, Terminal No.20/8
- Cord, Inst. No.8/06B Brown 30"
- Cord, Inst. No.3/63A Brown 42" (To replace handset cord)
- Bell, No.56A
- Press Button G
- Rectifier, Element No.205

WITH ADDITIONALLY

AT MAIN

- Key, No.294
- Key, Mounting NAA

AT EXTENSION

- 3 Cells, Dry R40
- Box, Battery No.3

STATION WITHOUT COIN BOX

- Telephone No.328 CB..
- Bell No.56A
- Rectifier Element No.205
- Block Terminal No.20/8

WITH ADDITIONALLY

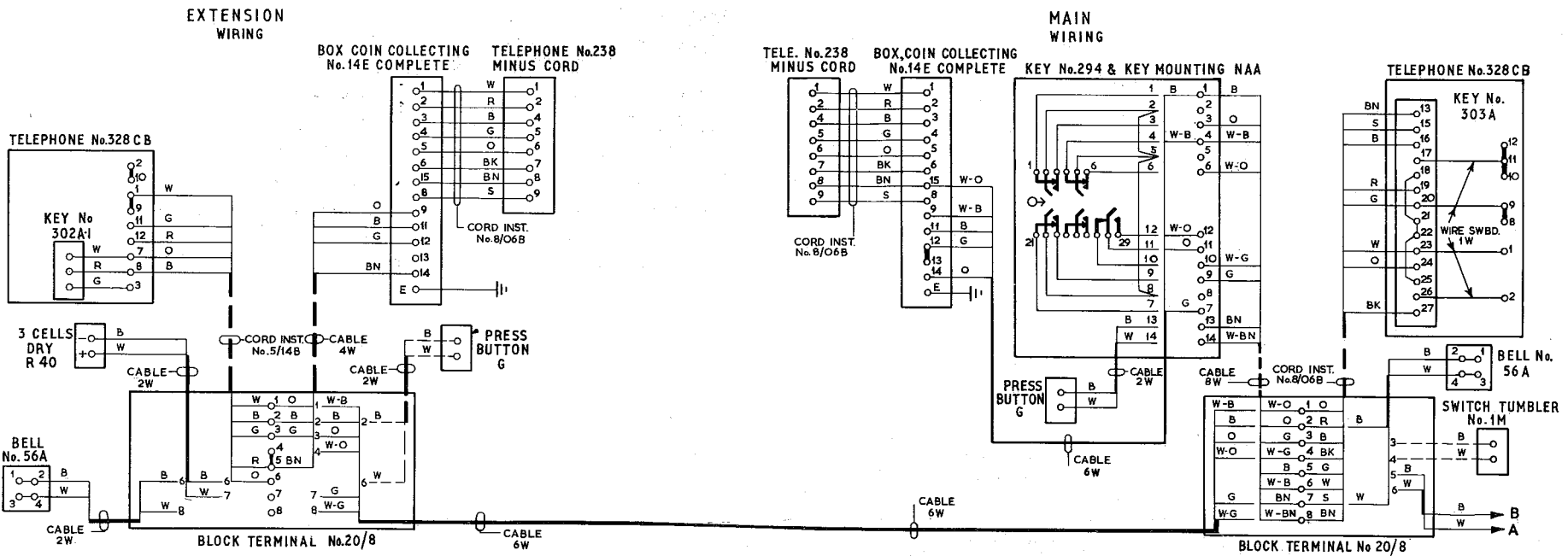
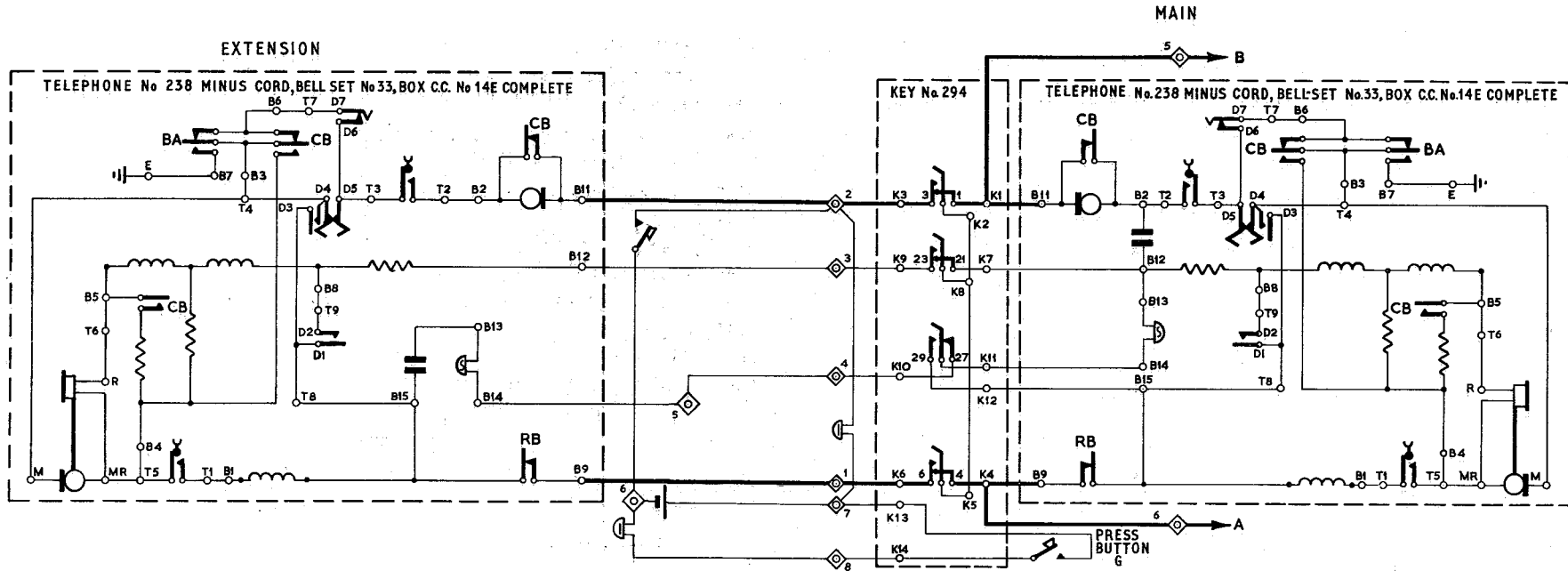
AT MAIN

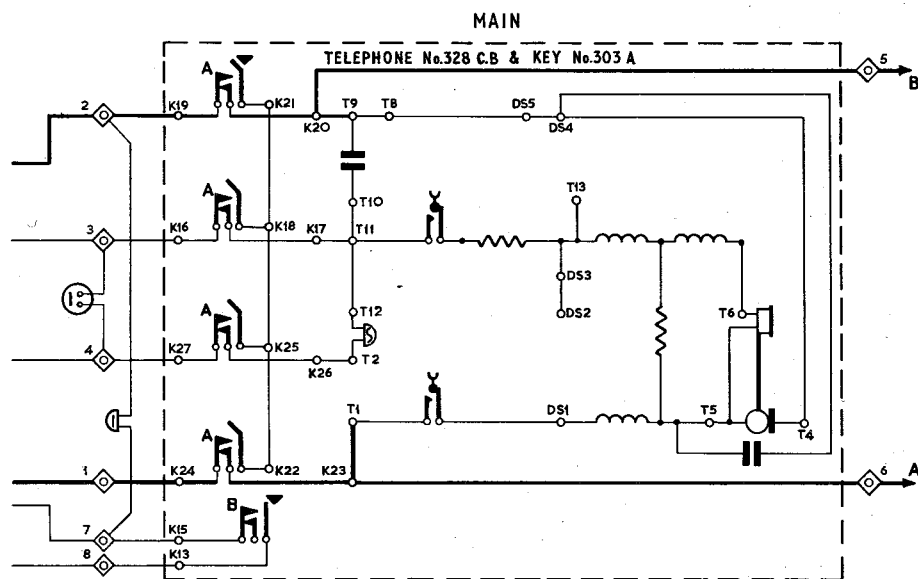
- Key No.303A
- 3 Parts 1/SPL/325
- Label, No.252P
- Cord, Inst. No.8/06B
- Switch Tumbler 1M
(if required)

AT EXTENSION

- Key No.302A-1
- Part 1/SPL/325
- Label, No.252E
- Cord, Inst. No.5/14B...
- 3 Cells, Dry R40
- Box, Battery No.3

ISSUES			
Post Office Telecomms. Headquarters			
MK 1.2.2.3			
Paper W			
Circulation CB & AUTO	A	NEW FORMAT	
		F. E. I. TROKE	30-6-70
			18-5-62





NOTES:-

1. Boxes Coin Collecting may be fitted at either or both stations.
2. MAIN:-
Connect as shown on Page 1. When a Coin Box is provided Switch Tumbler should not be fitted. The end plate of Key Mounting NAA should be engraved "Secret" and "Normal".
Using Telephone No.328:- Automatic Gravity Switch restoration of the circuit to normal must be provided (see N4301 Page 1) Set Key No.303A control plate in accordance with Fig.3 of that diagram.
3. EXTENSION:-
Connect as shown on Page 1. When a Coin Box is provided the following modifications should be made to the Bell Set No.33. Disconnect the B-Bn wire from Capacitor at B2 and transfer to B15, disconnect the B-0 wire from Capacitor at B12 and transfer to B13.
Using Telephone No.328 CB:- Fit Key No.302A-1 in position B and set Latch to non-lock.
4. The coils of Bells No.56A should be connected in parallel.
5. Connect Rectifier Element No.205 to receiver terminals in handset at both stations.
6. An Extn. Bell may be connected in place of Strap BT4-BT5 at extn.