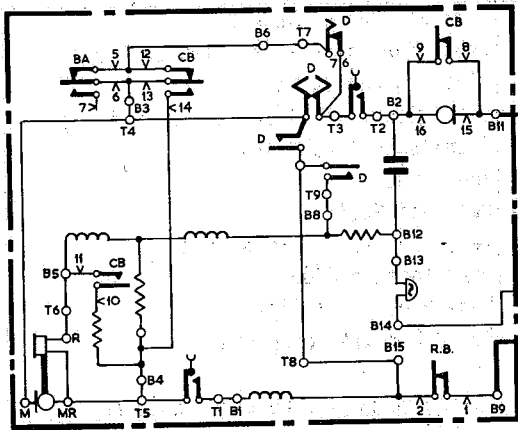


EXPLANATORY
 MAIN

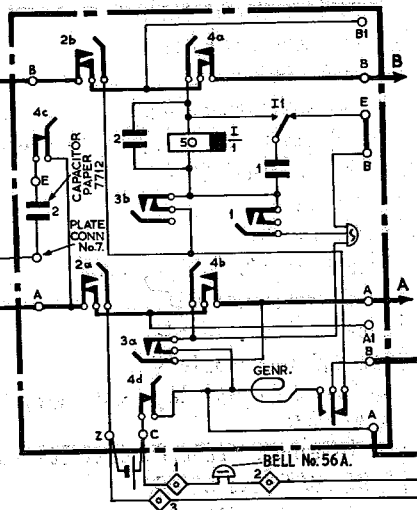
TELE 238 MINUS CORD BELL-SET No.33 & BOX C.C.14E COMPLETE



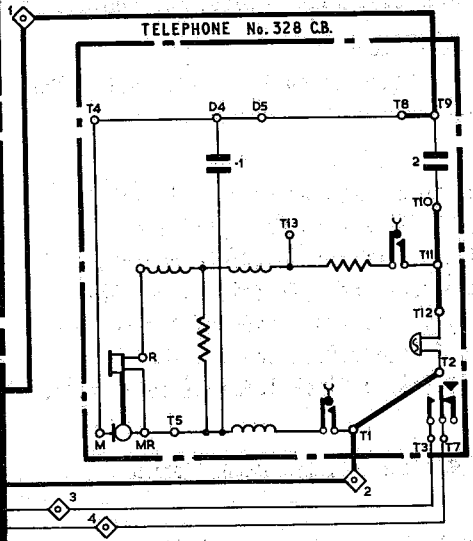
SWITCHING CONDITIONS OF BELL-SET No.20
 POSITION OF POINTER
 1. MAIN TO EXCHANGE.
 2. MAIN TO EXTENSION.
 3. MAIN TO EXTENSION EXCH. HELD.
 4. EXCHANGE TO EXTENSION.

SPRING ACTUATED
 ALL NORMAL
 2 & 3
 1, 2 & 3
 4

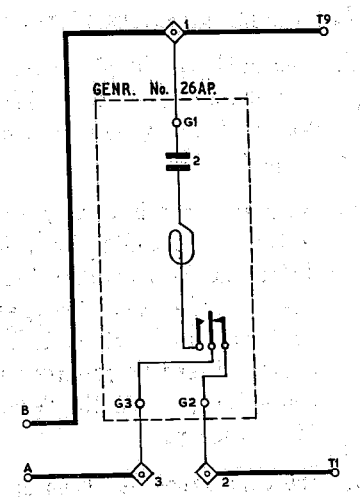
BELL-SET No.20



INTERNAL EXTENSION

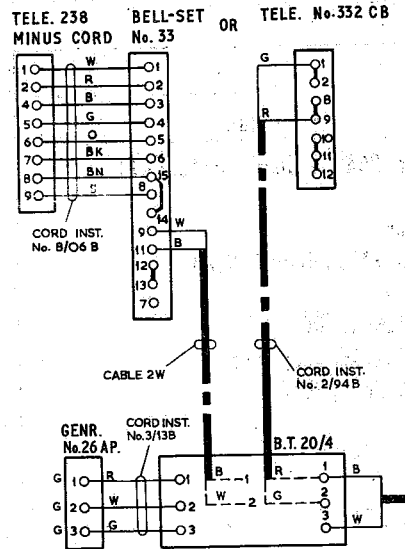


EXTERNAL EXTENSION
 BLOCK TERMINAL CONNEXION

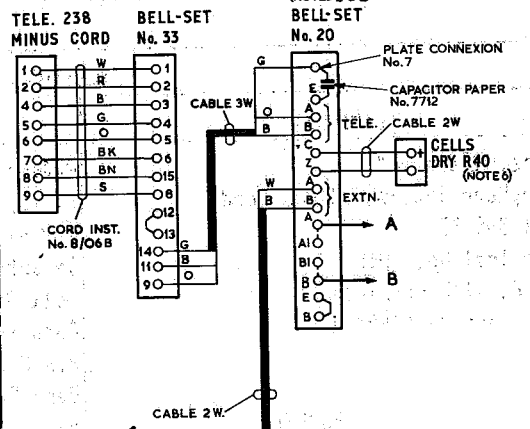


WIRING

EXTERNAL EXTENSION

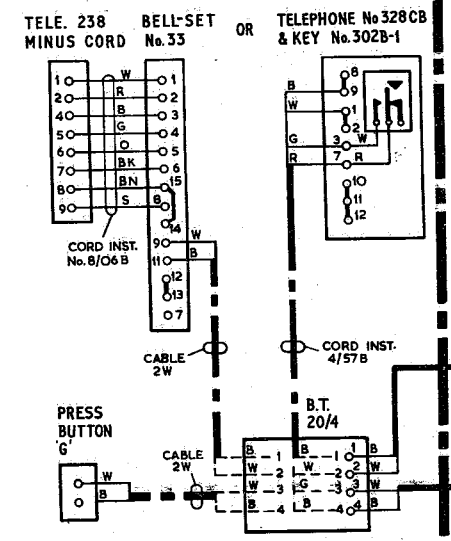


MAIN (NOTES 2 & 3)

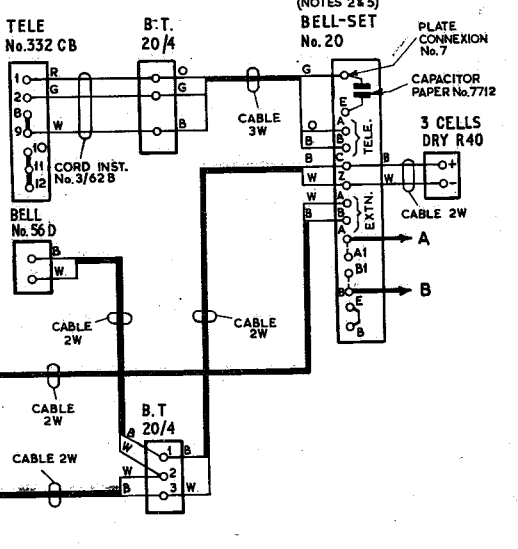


WIRING

INTERNAL EXTENSION



MAIN



Post Office
 Telecomms.
 Headquarters
 M. 2.2.3.
 Paper W
 Circulation
 C.B. & AUTO.

ISSUES			
	B	NEW FORMAT <i>Rel</i>	16 - 7 - 68
	A	MADE 9 PANELS 1-6 WHITE 7-9 YELLOW	29 - 7 - 58
		E.S.A. SI	25 - 11 - 36

NOTES:

1. A coin box may be fitted at either Main or Extension or both as required.
2. The Bell-Set No.20 should be modified as follows:-
Fit Capacitor Paper No.7712, Clip 56D and Plate Connexion No.7, inside the Bell-Set in the most convenient position, and wire as shown on Page 1.
3. When the coin box equipment is required to be mounted on a wall, fit a Wallboard No.D90650 or a Wallboard No.D90651 as required. Fit the telephone on a Bracket Telephone No.12. A Cord Inst.No.8/06B 30" should be used for the connexions between the telephone and Bell-Set. Where the equipment is required to stand on a desk or table a backboard for Box C.C. No.14E should be provided and a Cord Inst.No.8/06B...used for the connexion between the telephone and Bell-Set, a Block Terminal being fitted if necessary.
4. The connexions as shown on Page 1 are for Plan 7A, for Plan 7 strap Terminals A & A1, B & B1.
5. When an Extension Bell is required at Main, remove strap in Bell-Set No.20 between Terminals E & B. Fit Extension Bell between Terminals E & B.
6. See E.I. Telephones Stations A3205.

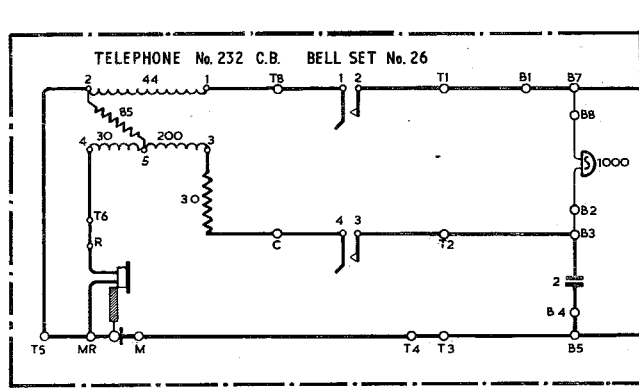
APPARATUS SCHEDULE

MAIN	
With Internal Extension	With External Extension
Bell-Set No.20 (Note 2) Capacitor Paper 7712, Clip No.56D Plate Connexion No.7 Bell No.56A 3 Cells Leclanchè R40. Box Battery for 3 Dry Cells (Note 6) Block Terminal 20/4 and either Bell-Set 33 Telephone 238...Minus Cord Cord Inst.No.8/06B Base Part No.1/SBA/2. Box C.C.14E complete or Telephone 332 CB, Cord Inst. 3/62B & BT 20/4 or Telephone 1/232 CB Bell-Set 26. & BT 20/4 (See N4300) or Telephone 333 CB.	Bell-Set No.20 (Note 2) Capacitor Paper 7712, Clip No.56D Plate Connexion No.7 Box Battery for 3 Dry Cells (Note 6) 3 Cells Leclanchè R40 and either Bell-Set No.33 Telephone 238...minus cord Cord Inst.No.8/06B Base Part No.1/SBA/2 Box C.C.No.14E complete or Telephone No.332, CB, Cord Inst.3/62B & BT 20/4 or Telephone No.333 CB or Telephone No.1/232 CB Bell-Set No.26 & BT 20/4 (See N4300)

EXTENSION	
Internal	External
Press Button "G" Telephone No.238...Minus Cord Bell-Set 33 Cord Inst.No.8/06B Box C.C.14E complete. Base Part No.1/SBA/2 BT 20/4 or Telephone 328, Key 302B-1 Plunger 1/SPL/325 BT 20/4 & Cord Inst. 4/57B or Telephone No.321 CB, Key 302B-1 Plunger 1/DPL/361, & BT 20/4	Generator 26AP & Cord Inst.3/13B BT 20/4 and either Telephone 238...Minus Cord Bell-Set 33 Cord Inst.No.8/06B Box C.C.No.14E complete Base Part No.1/SBA/2 or Telephone 332 CB. or Telephone 333 CB. or Telephone 1/232 CB Bell-Set 26 & BT 20/4 (See N4300)

TYPICAL EXPLANATORY

EXTENSION

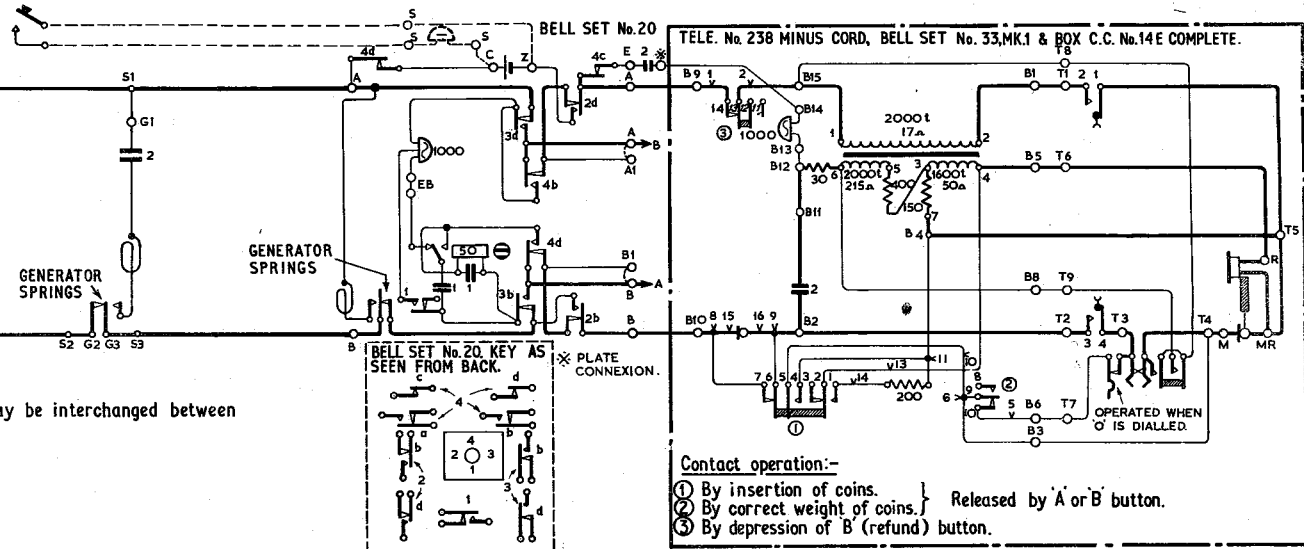


The apparatus in panels shown with chain dot line at main or extension may be interchanged between the stations as required.

TERMINAL POINTS	
T	Telephone
B	Bell set
G	Generator
S	Strip

Switching conditions of Bell Set No. 20	
Position of pointer	Spring actuated
1. Main to exchange.	All normal
2. Main to extension.	2 & 3
3. Main to extension exch. held.	1, 2 & 3
4. Exchange to extension.	4

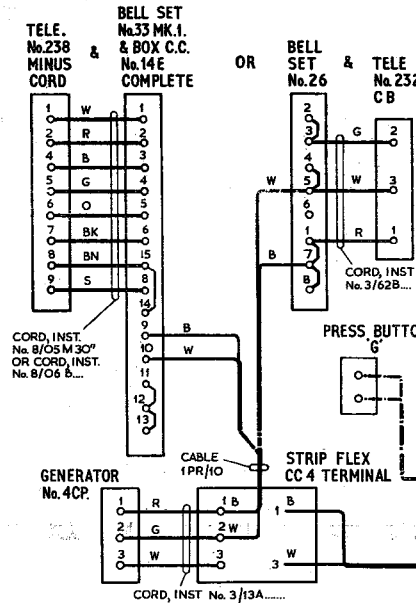
MAIN



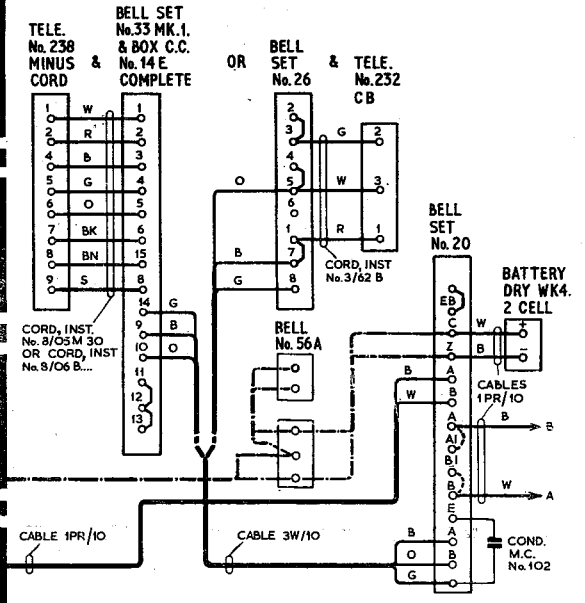
Contact operation:-

- ① By insertion of coins.
- ② By correct weight of coins. } Released by 'A' or 'B' button.
- ③ By depression of 'B' (refund) button.

WIRING EXTENSION



MAIN



Post Office Telecomms. Headquarters M. 2.2.3. Paper Y Circulation C.B. & AUTO.	ISSUES			
		B	NEW FORMAT <i>W.C.P.</i>	16 - 7 - 68
		A	MADE 9 PANELS 1-6 WHITE 7-9 YELLOW	29 - 7 - 58
			E. S. R. S1	25 - 11 - 36