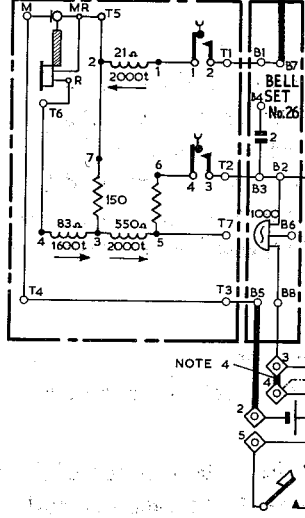


TYPICAL EXPANATORY

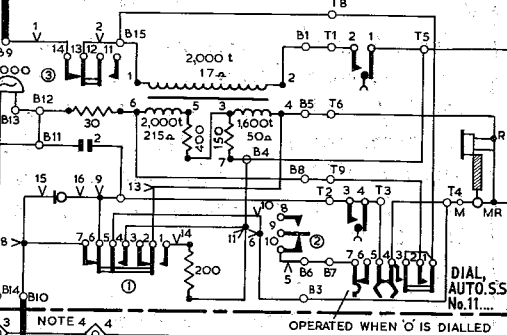
EXTENSION 2.

TELEPHONE No. 1/232 C.B. (NOTE 2)

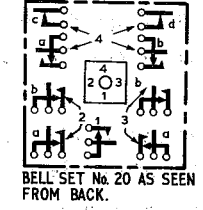
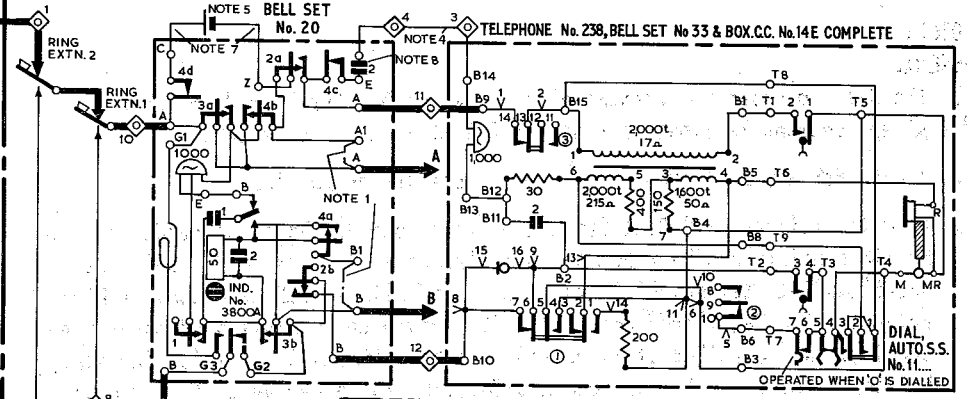


EXTENSION 1

TELEPHONE No. 238, BELL SET No. 33 & BOX C.C. No. 14E COMPLETE (NOTE 2)



MAIN



→ INDICATES DIRECTION OF WINDINGS ON COIL, INDUCTION

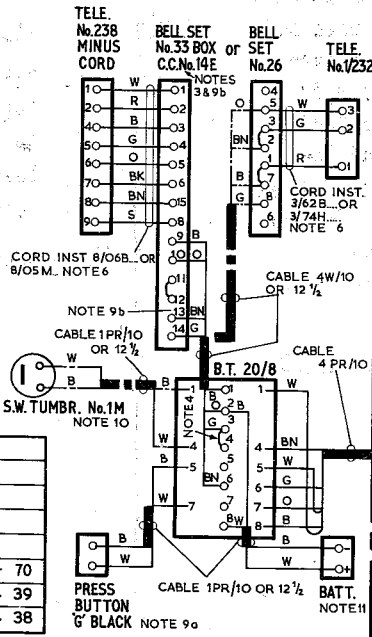
TERMINAL POINTS	
T	Telephone strip
G	Generator
B	Bell-set
V	Jack points, Box C.C. No. 14E

SWITCHING CONDITIONS OF BELL-SET No. 20.			
Position of pointer	Springs actuated	Position of pointer	Springs actuated
1. Main to exchange	All normal	3. Main to extension exchange held	1, 2 & 3
2. Main to extension	2 & 3	4. Exchange to extension	4

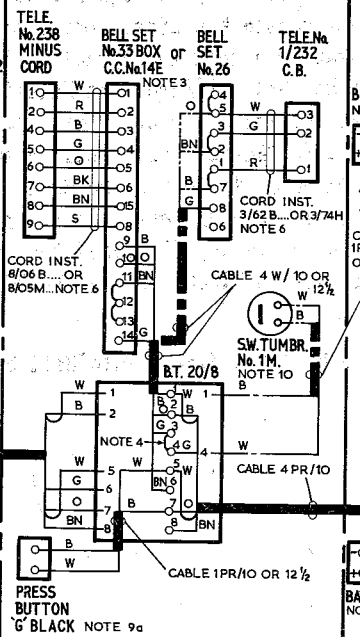
SWITCHING CONDITIONS OF BOX, C.C. No. 14E			
1 Penny inserted	Spring set	①	Operated
2 " " "	" " "	① & ②	"
A Button depressed	" " "	① & ②	Restored
B " " "	" " "	③	Operated for 7 seconds,
		① & ②	Restored

WIRING

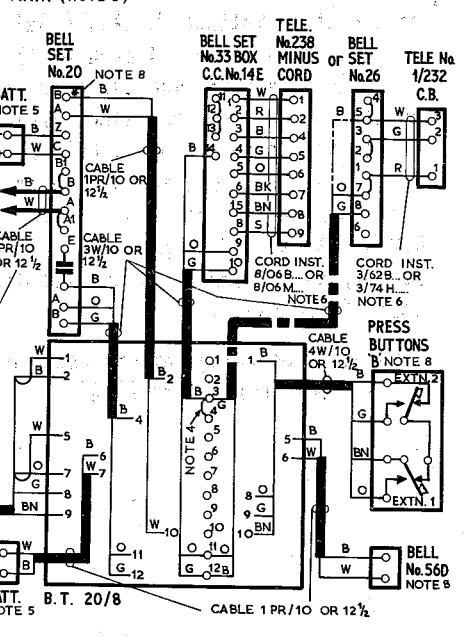
EXTENSION 2 (NOTE 3)



EXTENSION 1 (NOTE 3)



MAIN (NOTE 3)



ISSUES			
Post Office Telecomms. Headquarters			
Mk. 1. 2. 2.			
Paper W			
Circulation	B	NEW FORMAT	30 - 6 - 70
CB & AUTO	A	REDRAWN, CIRCUIT AMENDED & REARRANGED	13 - 4 - 39
		C.R. F.C.C.	23 - 8 - 38

NOTES:


GENERAL

1. The diagram shows the connexions for Plan No.5. For Plan No.5A remove straps between Terminals A & A1 and B & B1 in Bell Set No.20.
2. A Coin Box may be fitted at one or any station as required.
3. At Main Stations, fit 'Bell Set No.20', 'Telephone No.238 minus cord', 'Box C.C. No.14E complete' and 'Bell Set No.33' or 'Telephone No.1/232 C.B.', 'Bell Set No.26' and 'Bell Set No.20' at Stations fitted with Tele.No.238 C.B. A 'Dial Automatic S.S.No.11' and 'Cord Inst.5/21E' should be requisitioned and fitted locally. Non Coin Box Stations will not be fitted with a Dial. The strap between Terminals 3 & 4 in Tele.No.238...should be removed. At Extension Stations, fit as for Main, omitting Bell Set No.20. The strap between Terminals 7 & 8 in Bell Set No.26 and between 14 & 15 in Bell Set No.33, should be removed.
4. When an Extension Bell is required at any station, connect up in place of strap between Terminals 3 & 4 on the appropriate Blocks, Terminal.
5. Fit Battery Leclanché WK4, WK2 or WK1, 2 or 3 Cells according to requirements (see E.I.Telephones Stations A3205) and connect as shown.
6. Where the equipment (at stations with a Coin Box) is required to be mounted on a wall, a 'Wallboard...X...'(smallest reasonable size) should be used and the necessary equipment mounted thereon in a neat and symmetrical manner. The telephone being mounted on a 'Bracket No.12' A 'Cord Inst.No.8/05 M 30' should be used for connexions between the tele. and Bell Set. The Cord should be passed through a hole in the Wallboard immediately behind the telephone and terminated on the connexion strip inside the Bell Set. Where the instrument is required to stand on a table or desk a 'Backboard for Box, C.C.No.14A' should be provided and 'Cord Inst.No.8/06B'..used for the connexions between Telephone and Bell Set, a Block Terminal No.20/12 being used if necessary.
7. Exchange & Speaking Battery Leads may be taken direct into 'Bell Set No.20' or via a 'Block Terminal No.20/4'.

MAIN

8. 1 'Bell No.56D', 2 'Press Buttons B' and 1 'Switch Tumbler No.IM' should be requisitioned. 'Plate Connexion No.3' marked * and 'Condenser M.C.No.102' should be fitted in the 'Bell Set No.20' and connected as shown. The Condenser should be fitted in the bottom left hand corner and secured by means of a 'Clip No.14', care being taken that the Generator Springs do not foul (it will be necessary to move the Generator temporarily in order to fit the Clip).

EXTENSIONS

9. (a) A Press Button 'G' will be fitted at each extension.
(b) Remove strap between Terminals 4 & 5 in Bell Set No.26 or Terminals 12 or 13 in Bell Set No.33 on Extension No.2.
10. For Night Service purposes a Switch Tumbler No.IM should be connected at the required extension as shown thus  in no case may both extensions be so fitted.
11. Where limited intercommunication between extensions is not required, omit Battery at No.2 Extension and strap Terminals 2 & 8 on the Block Terminal No.20/8.

N.B. The following Diagrams show the internal connexions of:-

1. Bell Set No.20 - N.520
2. Bell Set No.26 - N.526
3. Bell Set No.33 - N.533
4. Tele.No.1/232 C.B. - N.332
5. Tele.No.238 Minus Cord - N.338

The Mechanical Features of Box C.C.No.14E are shown on Diagram N.1185.