

CALL OFFICE CIRCUIT-AUTO-SYSTEM(EXCEPT U.A.X's 5&6)
SUBSCRIBERS EXTENSION PLAN 1B(INTERNAL ONLY)

N4227

9-PANELS-1

3-12-36.

19,8,63, B C.B. & AUTO
26,6,58 A

NOTE 1 AMENDED TO SHOW SUPERSESSION
ALL PANELS MADE YELLOW.
MADE 9 PANELS; PANELS 7,8 & 9 MADE
YELLOW.

Y

NOTES

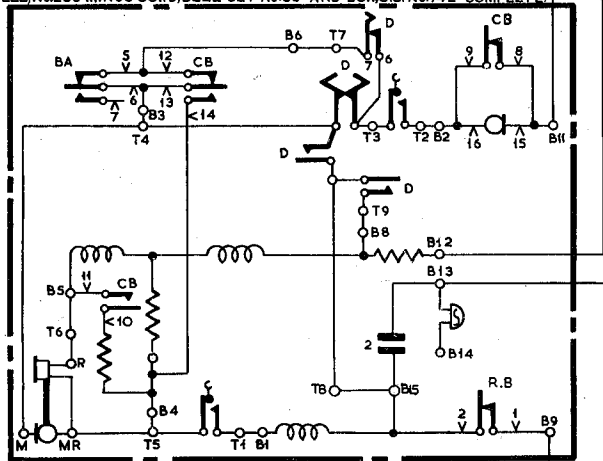
1. UP TO SIX EXTENSIONS MAY BE FITTED ON PLAN 1B. A COIN BOX MAY BE FITTED AT ANY ONE OR ANY NUMBER OF STATIONS AS REQUIRED. PLAN 1A SHOULD BE PROVIDED FOR NEW WORK.
2. THE FOLLOWING APPARATUS IS REQUIRED AT A STATION FITTED WITH A COIN BOX.
TELEPHONE No.238... MINUS CORD.
BELL-SET No.33
BOX. CC. No.14E COMPLETE.
CORD INST. No.8/O6B...
BASE PART No.4/5BA/2.
BLOCK TERMINAL 2O/4.
THE FOLLOWING MODIFICATIONS SHOULD BE MADE IN THE BELL-SET.No.33
 - (a) MAIN STATION.
WIRE AND STRAP AS SHOWN ON PANEL 6.
 - (b) INTERMEDIATE STATION.
WIRE AS SHOWN ON PANEL 5. DISCONNECT THE BLU-OR WIRE FROM CAPACITOR B12.
 - (c) LAST STATION.
WIRE AS SHOWN ON PANEL 4. DISCONNECT THE BLU-BRN. WIRE FROM CAPACITOR AT B2. AND TRANSFER TO B.13. DISCONNECT THE BLU-OR WIRE FROM CAPACITOR AT B.12. AND TRANSFER TO B.15.
3. AT STATIONS WITHOUT A COIN BOX THE FOLLOWING APPARATUS WILL BE REQUIRED.
 - (a) MAIN STATION.
TELEPHONE No. 1/232.CB. BELL-SET No.26 & TWO B.T.'S 2O/4.
OR TELEPHONE No.332.CB. & CORD INST.No.4/57B.
OR " No.333.CB & B.T. 2O/4.
 - (b) INTERMEDIATE STATION.
TELEPHONE No. 1/232.CB & BT 2O/4.
OR TELEPHONE No.332 CB & CORD INST No.3/62B
OR " No.333 CB & BT 2O/4

- (c) LAST STATION.
TELEPHONE No.1/232 C.B, CORD INST. No.4/57B, CAPACITOR PAPER No.7712. AND BT 2O/4.
OR TELEPHONE No.332.CB. AND CORD INST. No.4/57B.
OR " No.333.CB. AND BT 2O/4.
WHEN THE TELEPHONE No.1/232 IS USED,THE ADDITIONAL CAPACITOR SHOULD BE FIXED ON THE BACK OF THE DUMMY DIAL BY A CLIP No.56D. USING THE SCREW OPPOSITE THE LUG WITH THE THREADED HOLE.
4. WHEN THE COIN BOX EQUIPMENT IS REQUIRED TO BE MOUNTED ON A WALL, FIT A WALLBOARD No.D9O65O OR A WALLBOARD No.D9O65I AS REQUIRED. FIT THE TELEPHONE ON A BRACKET TELEPHONE No.12. A CORD INST.8/O6B 3O" SHOULD BE USE FOR THE CONNEXIONS BETWEEN THE TELEPHONE AND BELL-SET. WHERE THE EQUIPMENT IS REQUIRED TO STAND ON A DESK OR A TABLE A BACKBOARD FOR BOX.C.C.No.14E. SHOULD BE PROVIDED AND A CORD INST.No.8/O6B USED FOR THE THE CONNEXION BETWEEN THE TELEPHONE AND BELL-SET, A BLOCK TERMINAL 2O/8 BEING FITTED IF NECESSARY.
5. THE EXCH. LINE MAY BE CONNECTED TO AN EXTN. BLOCK TERMINAL IF THIS IS NEARER THE LEAD-IN POINT.
6. WHEN AN EXTENSION BELL IS REQUIRED AT MAIN FIT B.T. No.2O/8. TRANSFER BROWN WIRE OF 4W. CABLE TO EXTENSION FROM B.T.4 TO B.T.5. CONNECT EXTN. BELL BETWEEN B.T.4 AND B.T.5

EXPLANATORY (CONTD)

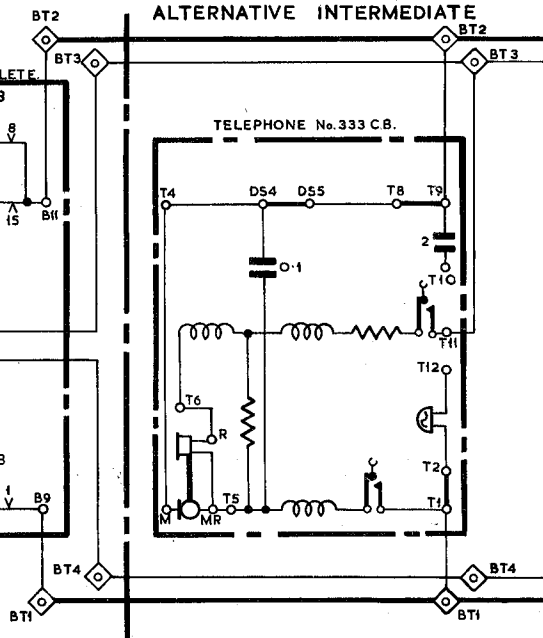
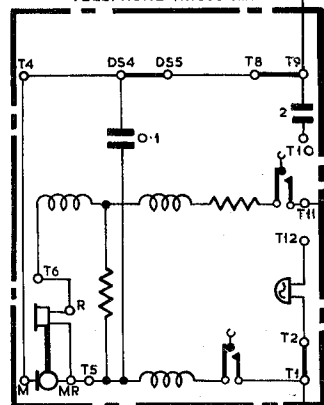
LAST

TELE. No. 238 MINUS CORD, BELL SET No. 33 AND BOX, C.C. No. 14E COMPLETE.



ALTERNATIVE INTERMEDIATE

TELEPHONE No. 333 C.B.

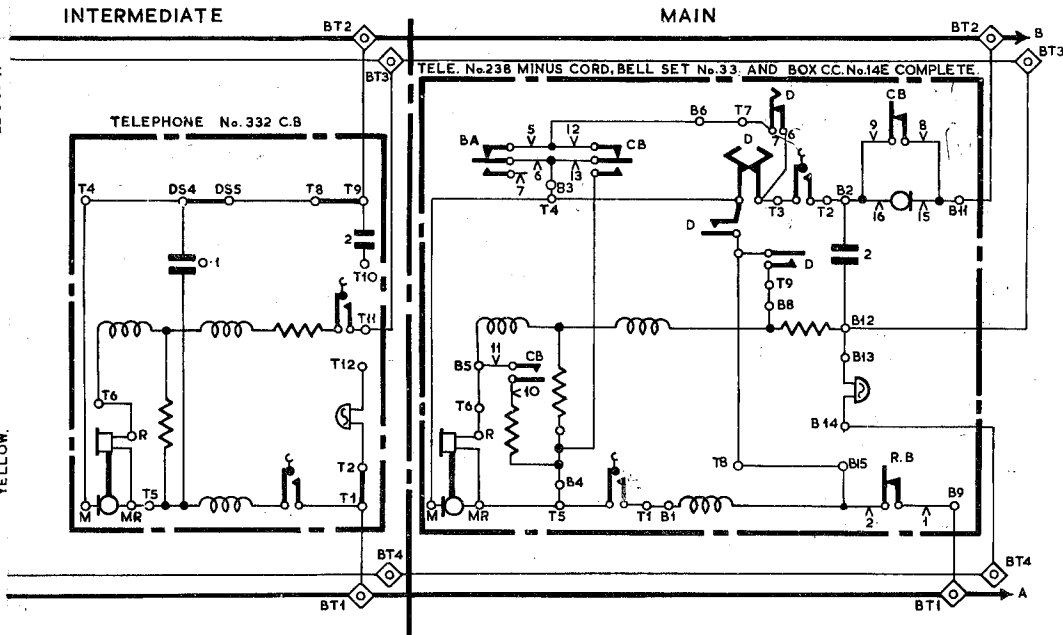


CALL OFFICE CIRCUIT-AUTO-SYSTEM (EXCEPT U.A.X's 5&6)
 SUBSCRIBERS EXTENSION PLAN 1B (INTERNAL ONLY)
 EXPLANATORY

N4227
 9-PANELS-3
 3-12-36

19.8.63. B
 C.B. & AUTO.
 26.6.58 A

NOTE 1 AMENDED TO SHOW SUPERSESSION.
 ALL PANELS MADE YELLOW
 MADE 9 PANELS, PANELS 7,8,9 MADE
 YELLOW.

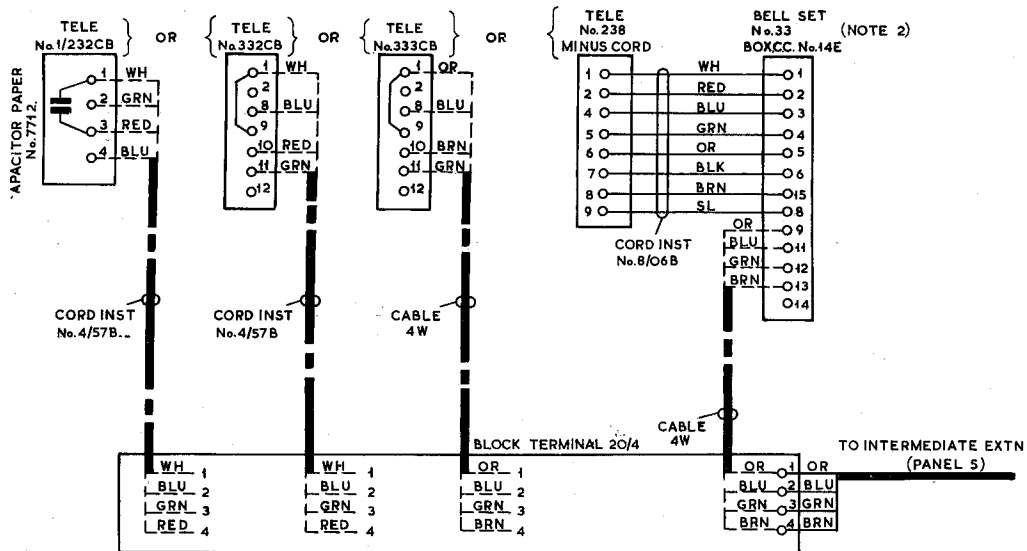


N 4227

9 - PANELS - 4

WIRING (CONTD)

LAST



CALL OFFICE CIRCUIT - AUTO-SYSTEM (EXCEPT U.A.X's 5 & 6)

SUBSCRIBERS EXTENSION PLAN 1B (INTERNAL ONLY)

WIRING.

N4227
9-PANELS-5
3-12-36.

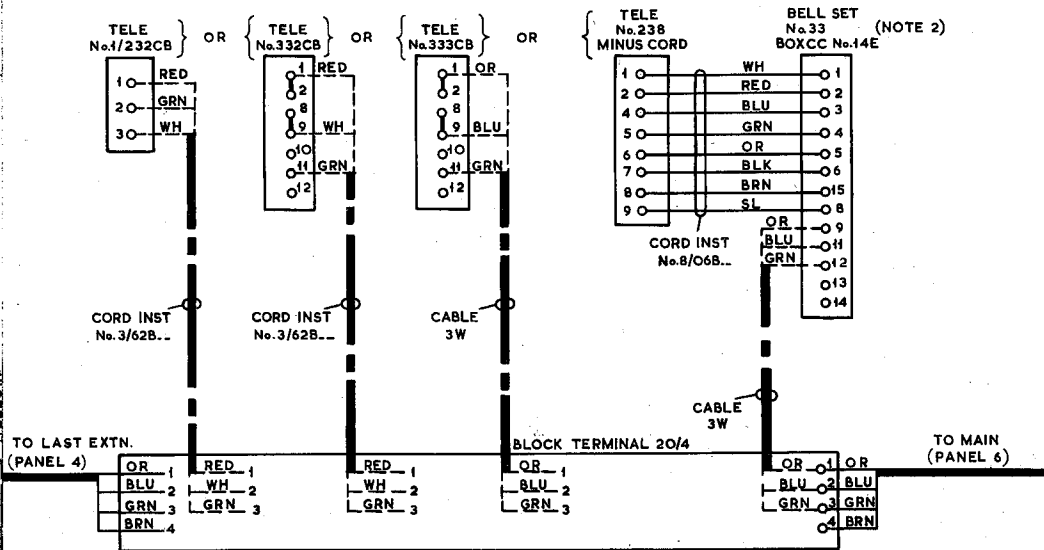
C.B. & AUTO

198.63 B
266.58 A

NOTE 1 AMENDED TO SHOW SUPERSESSION
ALL PANELS MADE YELLOW
MADE 9 PANELS, PANELS 7889 MADE
YELLOW.

Y

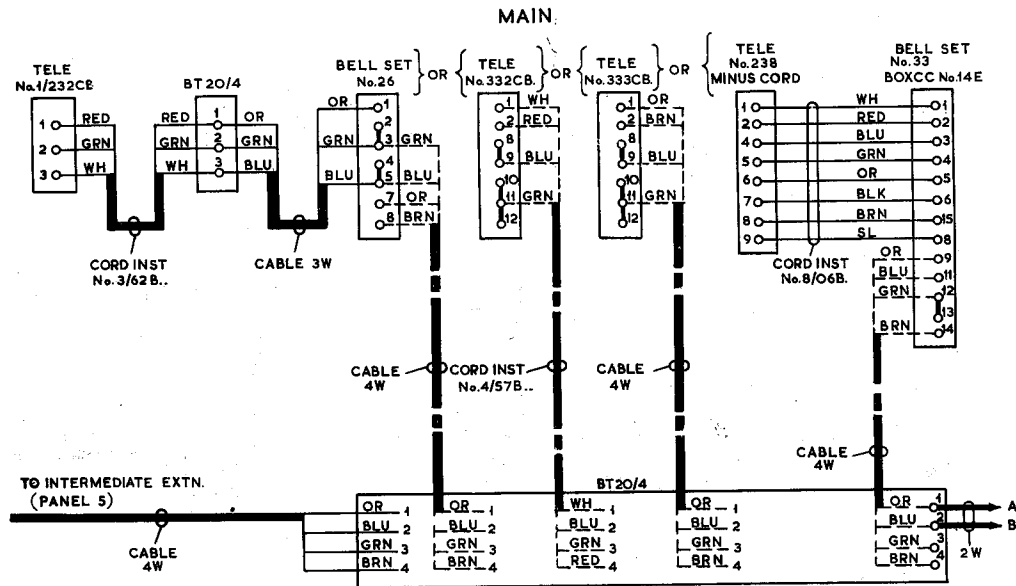
INTERMEDIATE



N4227

9-PANELS-6

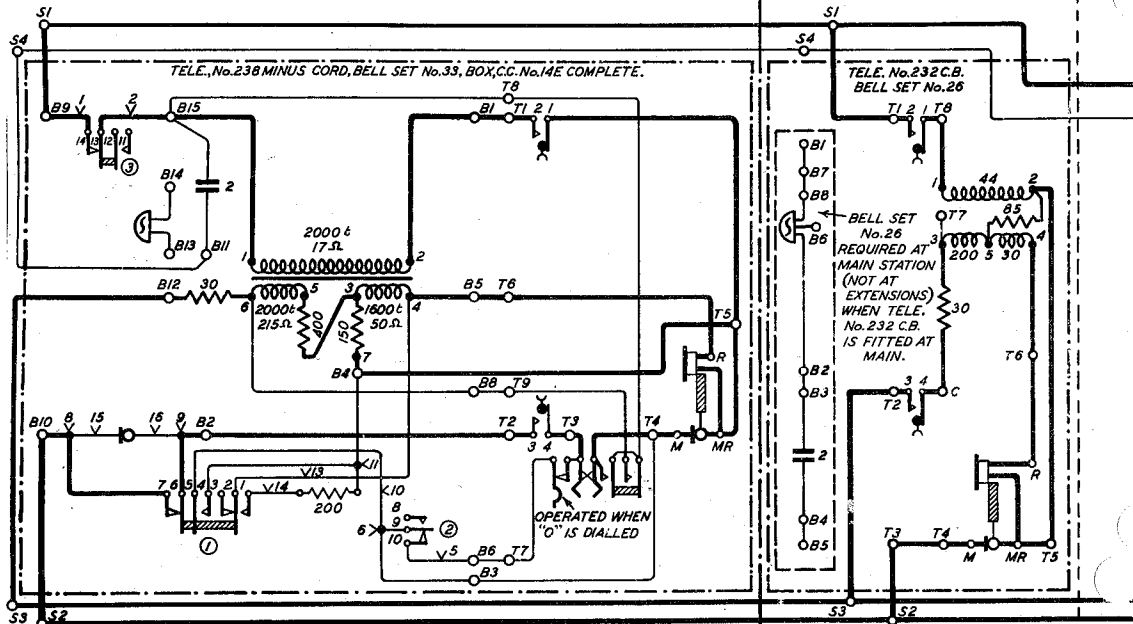
WIRING. (CONTD)



N 4227

9 PANELS- 8

LAST



NOTE:— THE APPARATUS IN THE PANELS SHOWN WITH CHAIN DOT LINE MAY BE INTERCHANGED BETWEEN THE STATIONS AS REQUIRED. NUMBERS REFER TO TERMINALS. B = BELL SET, S = STRIP, T = TELEPHONE.

CIRCULATION

C.P. & AUTO.

CALL OFFICE CIRCUIT—AUTOMATIC SYSTEM

DIRECTOR, NON-DIRECTOR & U.A.X. (EXCEPT U.A.X's 5 & 6).

SUBSCRIBER'S EXTENSION WORKING, PLAN No. 1B (INTERNAL ONLY).

N 4227

3-12-36

9 PANELS-9

USING TELEPHONE No. 238 MINUS CORD, BELL SET No. 33 (MK 1) & BOX C.C. No. 14E COMPLETE
OR TELEPHONE No. 232 C.B. & BELL SET No. 26.

TYPICAL EXPLANATORY.

MAIN

