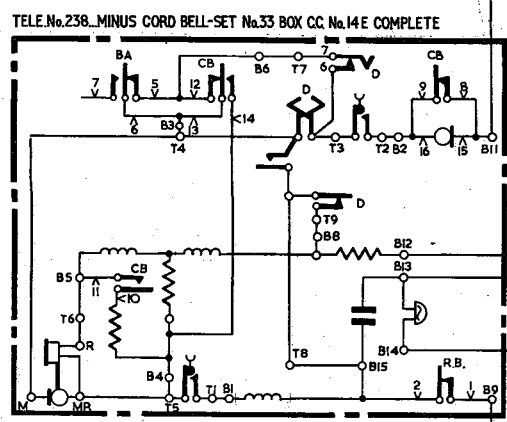
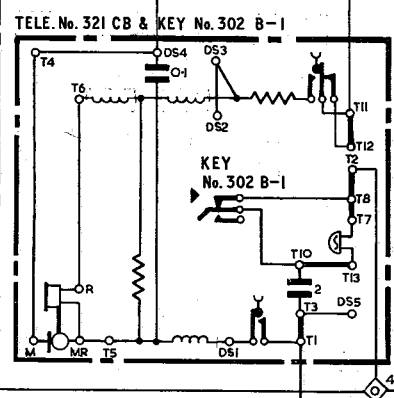


EXPLANATORY

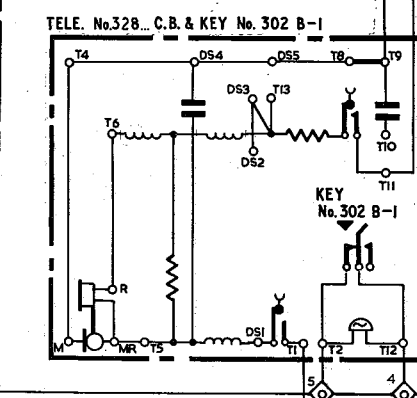
LAST



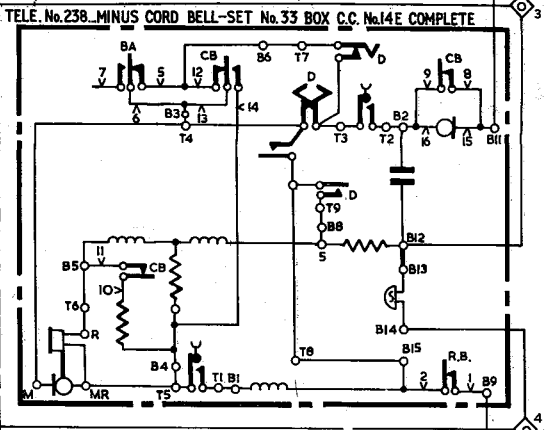
ALTERNATIVE LAST



INTERMEDIATE

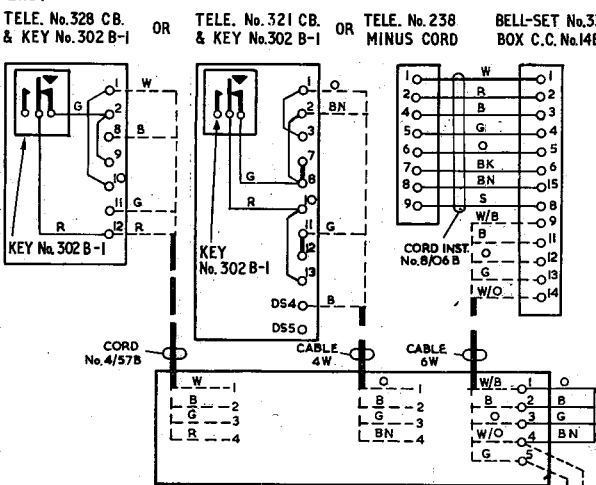


MAIN

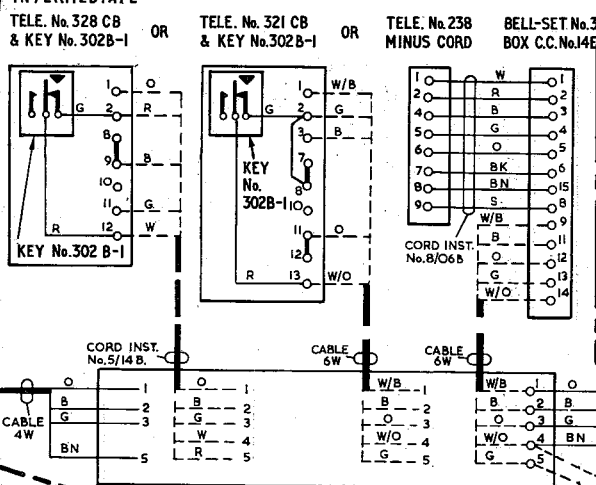


WIRING

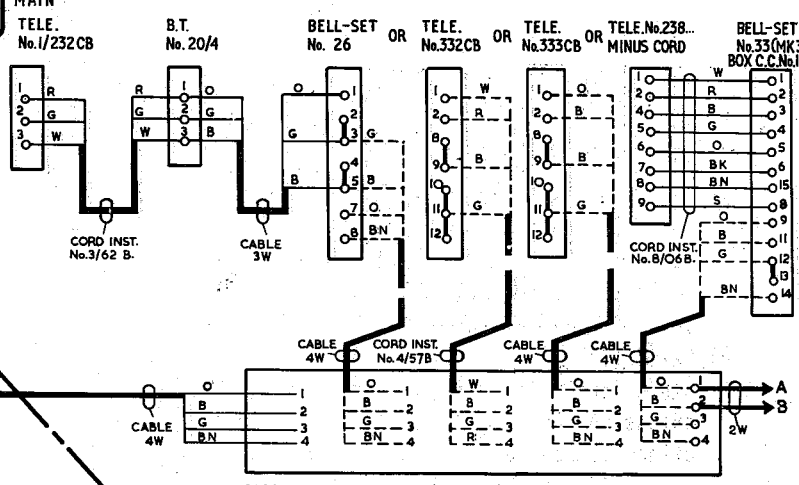
LAST



INTERMEDIATE



MAIN



ISSUES	B	NEW FORMAT <i>rel.</i>	26 - 6 - 68
	A	REDRAWN. MADE 9 PANELS. 7 8 & 9 MADE YELLOW	22 - 10 - 58
		ESR SI	13 - 7 - 38

Post Office
Telecomms.
Headquarters
M 2. 2. 3.
Paper W
Circulation
CB & AUTO

NOTES:

1. Up To five extensions may be fitted on a Plan 1A and a Coin Box provided at any one or all of the stations.

2. The following apparatus is required at a station fitted with a Coin Box:

Telephone No.238 Minus Cord

Bell Set No.33

Box C.C. No.14E complete

Cord Inst.No.8/06B...

B.T. No.20/4 or 20/8

Base Part No.1/SBA/2

The following modifications should be made in the Bell Set No.33:

(a) MAIN STATION

Wire and strap as shown on Page 1.

(b) INTERMEDIATE STATION

Wire as shown on Page 1.

Disconnect the B-0 wire from Capacitor at B12.

Fit Switch Tumbler No.1M between Terminals 4 & 5 on B.T.20/8.

(c) LAST STATION

Wire as shown on Page 1.

Disconnect the B-BN wire from Capacitor at B2 and transfer to B15.

Disconnect the B-0 wire from Capacitor at B12 and transfer to B13. Fit

Switch Tumbler No.1M between Terminals 4 & 5 on B.T.20/8.

3. At stations without a Coin Box the following apparatus will be required:

(a) MAIN STATION

Telephone No.1/232 C.B. Bell Set No.26 & two B.T.'s No.20/4

or " No.332 C.B. & Cord Inst. No.4/57B.

or " No.333 C.B. & B.T. No.20/4.

(b) EXTENSION

Block Terminal No.20/8 for Intermediate and B.T. No.20/4 for Last extension and

either Telephone No.321 C.B.

Key No.302B-1

Part No.1/DPL/365

Telephone No.328 C.B.

Key No.302B-1

Part No.1/DPL/358

Cord Inst. No.5/14B.

4. When the Coin Box Equipment is required to be mounted on a wall, fit a Wallboard No.D90650 or a Wallboard No.D90651 as required. Fit the telephone on a bracket telephone No.12.A Cord Inst.No.8/06B 30" should be used for the connexions between the Telephone and the Bell Set. Where the equipment is required to stand on a desk or table a backboard for Box CC No.14E should be provided and a Cord Inst.No.8/06B...used for the connexion between the Telephone and Bell Set, a Block Terminal No.20/8 being fitted if necessary.

5. The Exch.Line may be connected to an Extn. Block Terminal if this is nearer the Lead-in point.

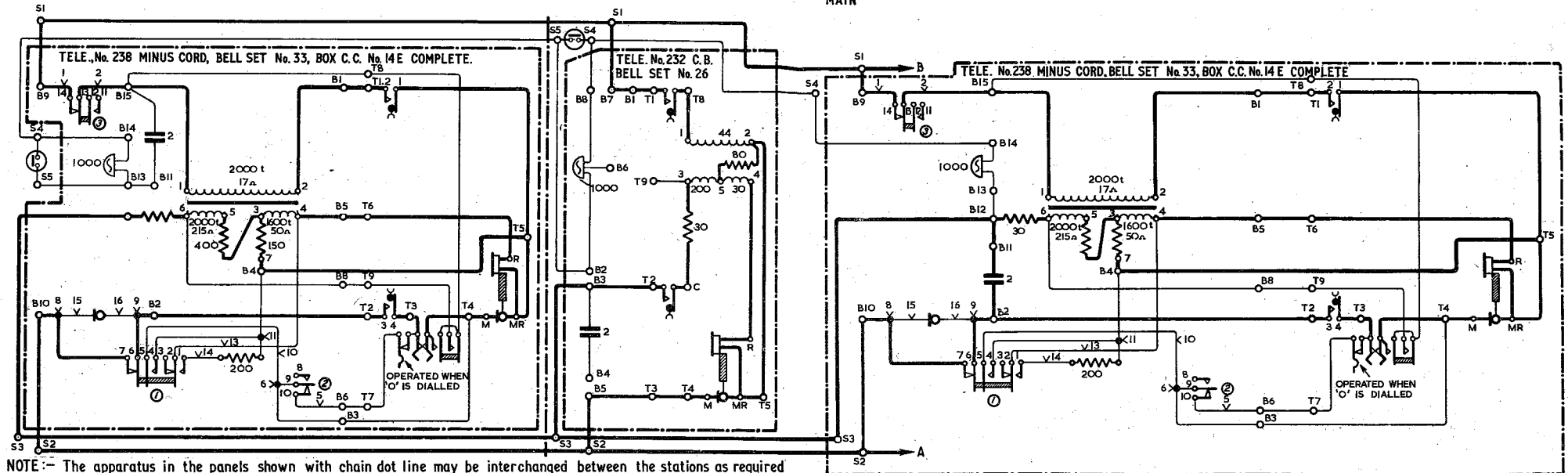
6. When an Extension Bell is required at Main fit B.T. No.20/8. Transfer brown wire of 4W cable to extension from B.T.4 to B.T.5. Connect Extn. Bell between B.T.4 and B.T.5.

EXPLANATORY

EXTENSION No. 2

EXTENSION No. 1

MAIN

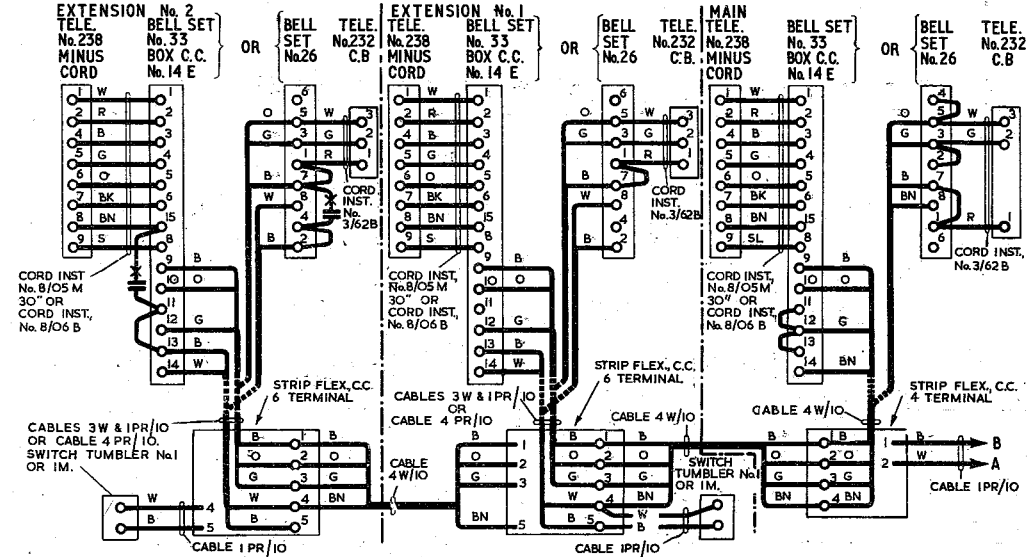


NOTE :- The apparatus in the panels shown with chain dot line may be interchanged between the stations as required

Numbers refer to terminals B = Bell set. S = Strip. T = Telephone.

- Contact Operation :-
- ① By insertion of coins
 - ② By correct weight of coins
 - ③ By depression of 'B' (refund) button.
- Released by 'A' or 'B' button

WIRING DIAGRAM



Post Office Telecomms. Headquarters M.2.2.3. Paper Y	ISSUES			
		B	NEW FORMAT <i>rel.</i>	26 - 6 - 68
		A	REDRAWN. MADE 9 PANELS 7, 8 & 9 MADE YELLOW.	22 - 10 - 58
			E. S. R. S I	13 - 7 - 36
Circulation CB & AUTO				