

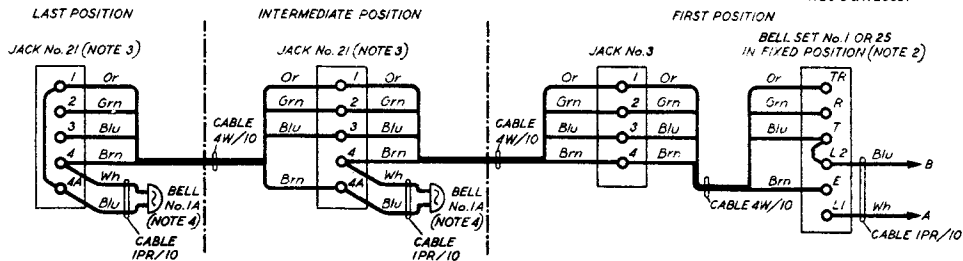
CIRCULATION

C.B. & AUTO

C.B. & AUTOMATIC SYSTEMS.

EXTENSION WORKING, PLAN No. 4. (INTERNAL ONLY).
USING TELEPHONES No. 150... OR 162... WITH SEPARATE BELL SET.WIRING DIAGRAM.
FOR LONG LINES SEE NOTE 5.

N 4207

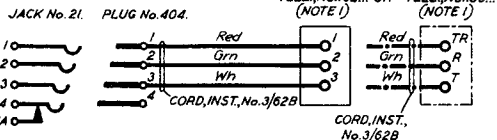
25 · 2 · 37
SHEET 1 (2 SHEETS)
PANEL 1.SUPERSEDES N 1314, N 1594,
N 2013 & N 2065.

NOTES:—

1. FOR C.B. WORKING FIT "TELE., No. 150 C.B." OR "TELE., No. 162 C.B." & FOR AUTO. WORKING FIT "TELE., No. 150..." OR "TELE., No. 162..."
2. REMOVE STRAPS BETWEEN L1 & E IN BELL SET No. 1 OR 25.
3. CONTACTS 4 & 4A OF JACK No. 21 ARE BROKEN WHEN THE PLUG IS INSERTED.
4. THE BELL MAY BE OMITTED FROM ANY POSITION AT WHICH ANOTHER BELL PERMANENTLY IN CIRCUIT IS AUDIBLE. IN SUCH CASES STRAP TERMINALS 4 & 4A.
5. FOR LONG LINES FIT "TELE., No. 196 L.B." & BELL SET No. 31" SEE N 4107.

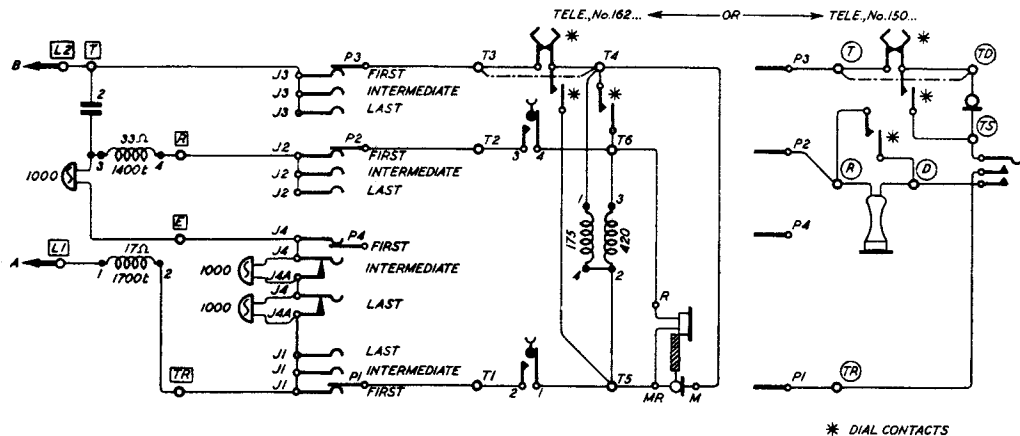
N.B. PARTICULARS OF FACILITIES ETC. ON PLAN No. 4 ARE SHOWN ON DIAGRAM N 1427. THE FOLLOWING DIAGRAMS SHOW THE INTERNAL CONNEXIONS OF:—

- (1) "TELE., No. 150..." N 250.
- (2) "TELE., No. 162..." N 262.
- (3) "BELL SET No. 25" N 525.
- (4) "BELL SET No. 1" N 501.



AMENDMENT

W



TERMINALS 3 & 4 ON TELE., No. 162... & TERMINALS T & TD ON TELE., No. 150... ARE STRAPPED FOR C.B. WORKING AND DIAL OMITTED.

TERMINAL POINTS

- BELL SET No. 1 OR No. 25
- T TELEPHONE No. 162
- TELEPHONE No. 150
- J JACKS
- P PLUGS