

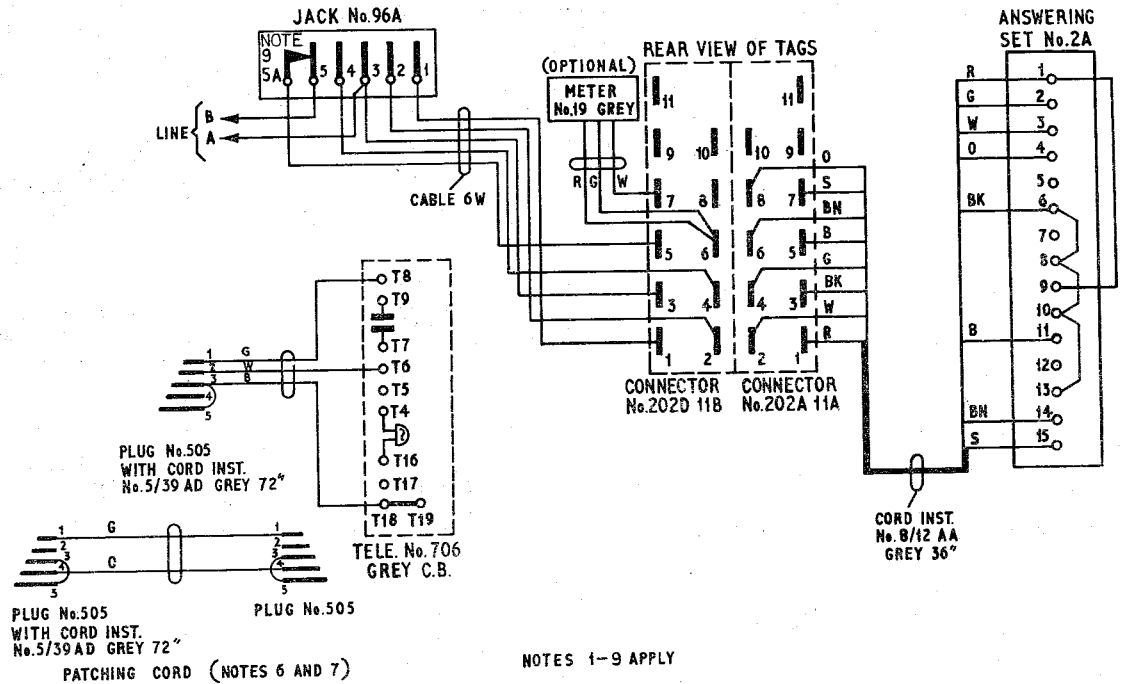
# ANSWERING SET No.2A SINGLE AND MULTI-MACHINE INSTALLATIONS

N4191  
PAGE 1-2  
ISSUE B

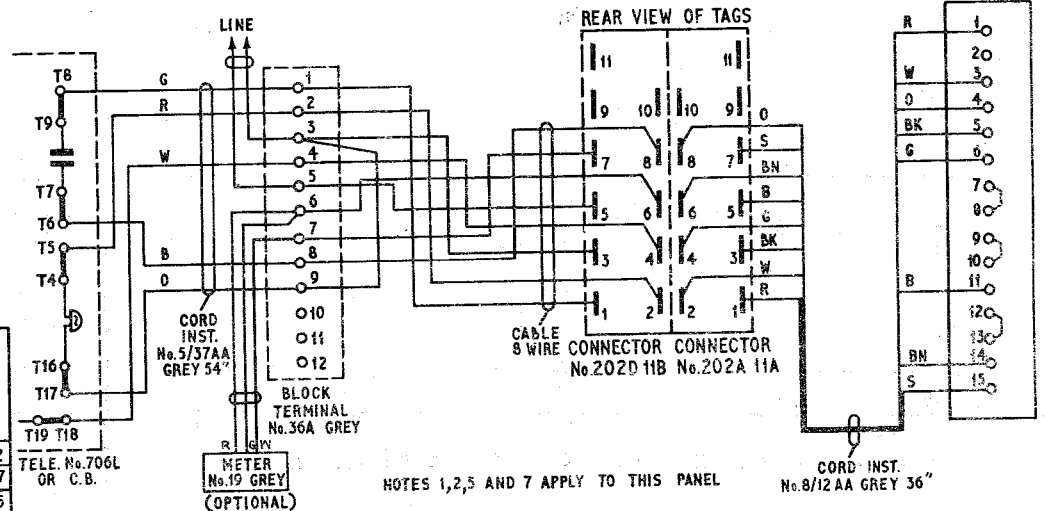
NOTES:—

1. See Diagram SA5136 Sheet 1 for the internal connexions of the Answering Set No.2A/1. SA5136 Sheet 2 for Answering Set No.2A/2 and SA5136 Sheet 3 for Answering Set No.2A/3
2. A suitable power outlet should be provided by the subscriber and the appropriate power plug should be provided by the P.O.
3. The machine is supplied suitable for connexion to bothway lines. For incoming only lines, remove Straps 7-8, 9-10, 12-13 in the answering set and Strap Terminals 6-8-10-13, 1-9
4. The patching cord is not required when only one machine is installed
5. Parts 1/DCA/94 and 8/DM0/32 should be used for mounting Connector 202D11B
6. Plug No.505 with Cord Inst.No.5/39 AD Grey 72 inch should be used for the patching cord. As supplied, the cord has a telephone grommet and spade tags at one end. This end must be cut and the conductors soldered to another Plug No.505
7. Spare conductors in the cable should be insulated from each other and not terminated on spare terminals in the plugs or telephone
8. When the answering set switch is in the Off, Check or Record positions the telephone line is looped, but when the switch is in the 'On' position the line is only looped when a plug is inserted in the Jack No.96A
9. This contact is broken when a plug is inserted in the Jack No.96A
10. These contacts are B relay contacts in the Answering Set No.2A/1 and No.2A/3 and A relay contacts in the Answering Set No.2A/2

SINGLE AND MULTI-MACHINE INSTALLATIONS ON INCOMING LINES ONLY  
WIRING D.E.L. (AUTO) AND P.B.X. EXTN.



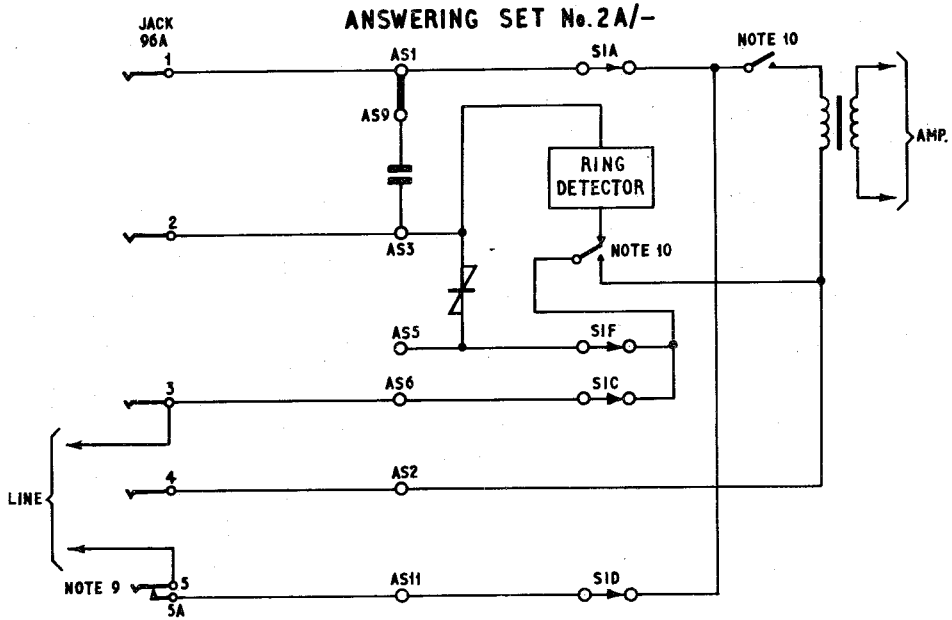
SINGLE MACHINE INSTALLATION FOR BOTH-WAY LINES  
WIRING D.E.L. (C.B. AND AUTO.) AND P.B.X. EXTN. (CB AND AUTO)



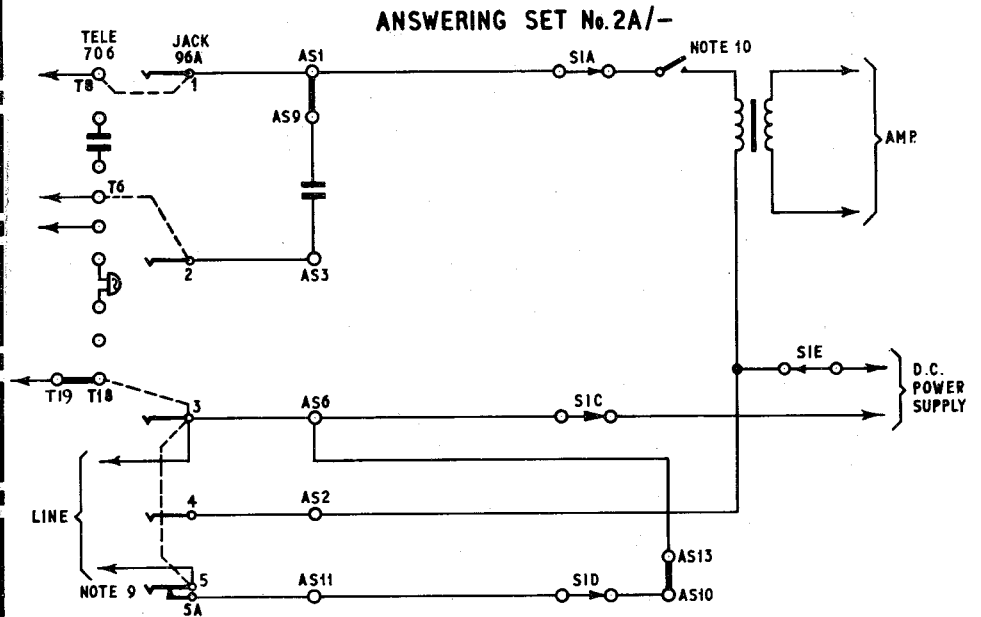
|                       |       |  |                  |
|-----------------------|-------|--|------------------|
| P.O. TELECOMMS. HQRS. | ISSUE |  |                  |
| PAPER:—               | B     | ANSWERING SET No.2A/2 AND 2A/3 ADDED. REF TO N603 DELETED                      | TD 2-3-2 24-7-72 |
| CIRCLTN:—             | A     | NEW FORMAT. NOTE 3 AMENDED. STRAPS ADDED TO PAGE 2. TITLE AMENDED TO 2A M.P.T. | 20-10-67         |
| GENERAL               |       | J.H. COMBRIDGE S BRANCH  | 11-1-65          |

ANSWERING SET No.2A

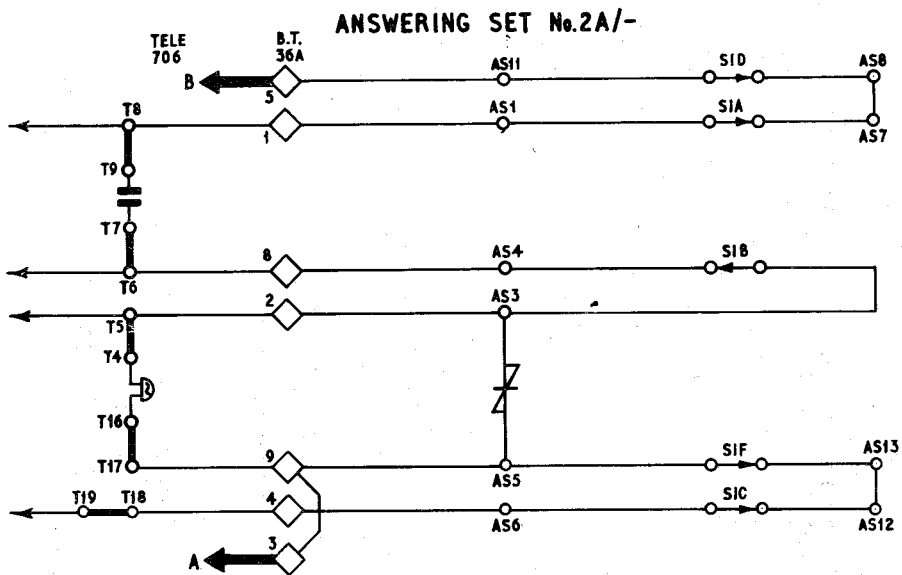
ANSWERING SET No.2A/- CONNECTED TO I/C LINE ONLY,  
SWITCHED TO 'ON' POSITION



ANSWERING SET No.2A/- CONNECTED TO I/C LINE ONLY,  
SWITCHED TO 'RECORD' POSITION



ANSWERING SET No.2A/- CONNECTED TO BOTH-WAY LINE,  
SWITCHED TO 'OFF' POSITION



ANSWERING SET No.2A/- CONNECTED TO BOTH-WAY LINE,  
SWITCHED TO 'ON' POSITION

