

ANSWERING SET No. 1A INSTALLATION AND EXPLANATORY

NOTES:-

1. See Diagram SA5202 for the internal connexions of the Answering Set No. 1A.
2. When the Answering Set is used on a D.E.L., Strap:- AS7 - AS8, AS9 - AS10 and AS12 - AS13.
3. If an answering set is associated with a H.E.S. or Extension Plan, an additional telephone should be installed. When the switch is in the "On" position, the line is diverted from the plan system to the answering set and additional telephone. Remove straps between AS7 - AS8, AS9 - AS10 and AS12 - AS13 and strap AS8 - AS10.
4. Remove strap between BT5 and BT6 and fit extension bell when required.
5. The spare conductor should be suitably fastened.
6. A suitable power outlet will be provided by the subscriber and the appropriate plug by the P.O.
7. These contacts are "A" Relay contacts in the Answering Set No. 1A MK I.
8. When a Telephone No. 1/722 (or any superseding Trimphone) is used as the control telephone, a Resistor 3.2K 8W must be fitted between T4 and T5 of that telephone.
A Telephone No. 722 using a Tone Ringer No. 2P must not be used.

P.O.
TELECOMMS.
HQRS.

PAPER:- W
CIRCULATION
GENERAL

ISSUES			
	B	300 TYPE TELES & ANSWERING SET No. 1 DELETED. REDRAWN & REARRANGED.	30-4-71
	A	NEW FORMAT. MADE WHITE. NOTES 1, 3 & 6 AMENDED.	M.P.T. 20-10-67
		NOTES 9 & 10 ADDED. ANSWERING SET No. 1A ADDED.	
	J.H. COMBRIDGE.	20-4-61	

N4190
PAGE 2
ISSUE B

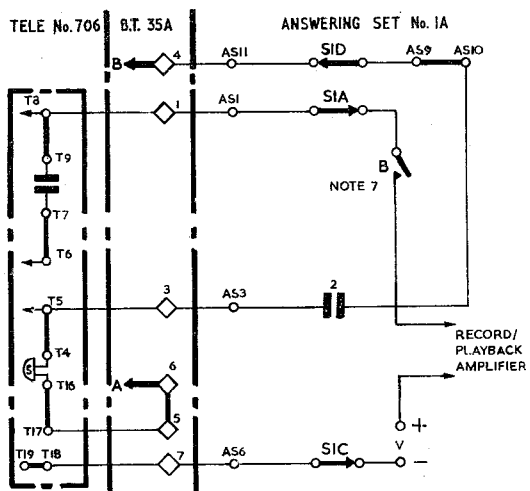
SPARE

EXPLANATORY SWITCHING ARRANGEMENTS CB & AUTO AREAS.

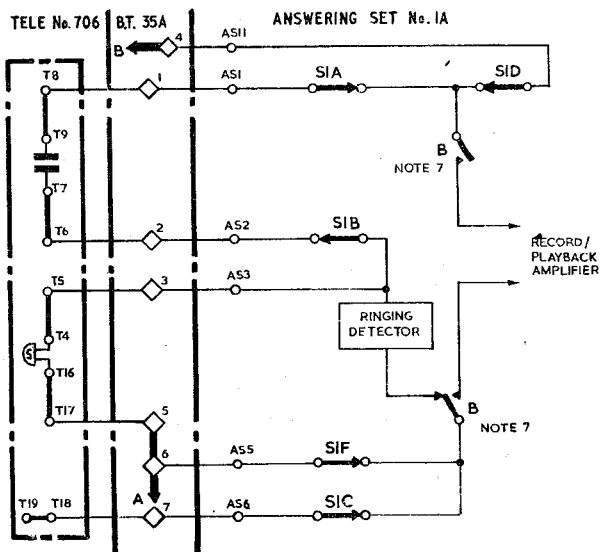
SCHEMATIC

ANSWERING SET SWITCHED TO 'RECORD' OR 'CHECK'
SHOWN CONNECTED TO A D.E.L.

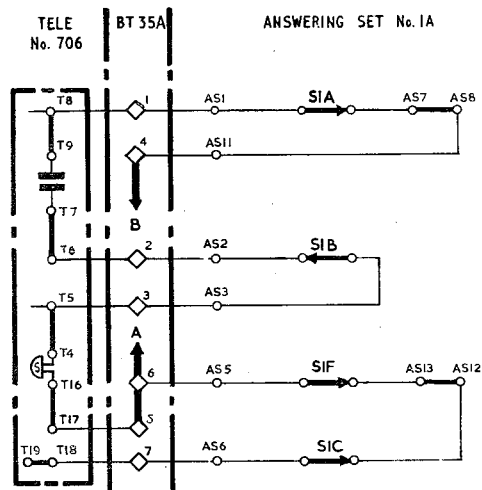
SWITCHING FROM 'RECORD' TO 'CHECK' ONLY CHANGES
THE RECORD/PLAYBACK AMPLIFIER CONNECTION.



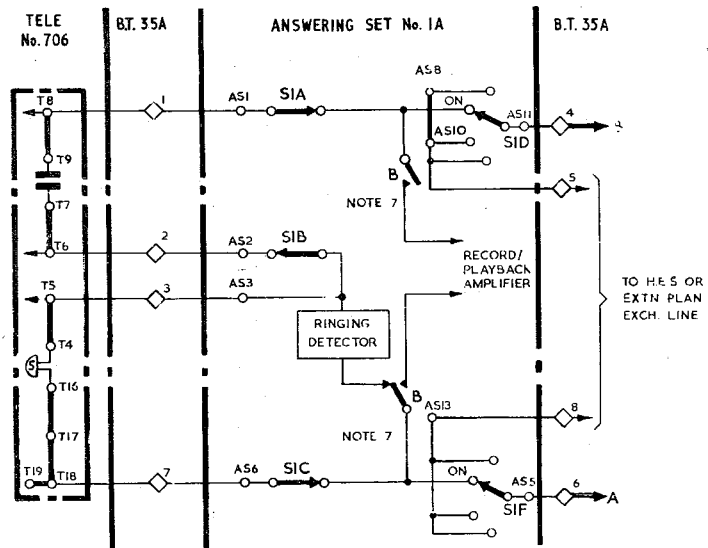
ANSWERING SET SWITCHED TO 'ON'
SHOWN CONNECTED TO A D.E.L.



ANSWERING SET SWITCHED TO 'OFF'
SHOWN CONNECTED TO A D.E.L.

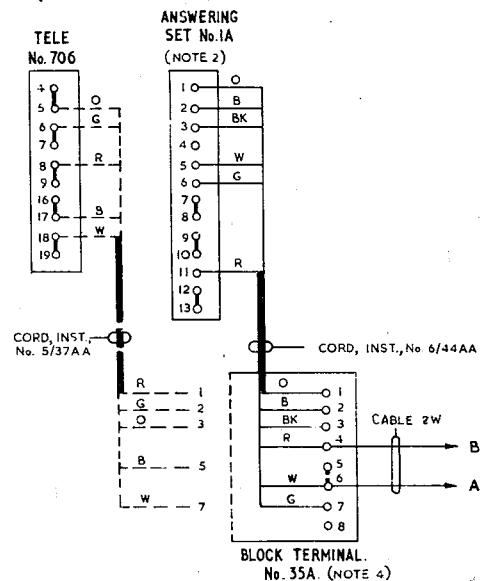


ANSWERING SET USED IN CONJUNCTION WITH A H.E.S.
OR AN EXTN. PLAN No. SWITCH IN THE 'ON' POSITION.
IN THE 'OFF', 'CHECK' AND 'RECORD' SWITCH POSITIONS, THE
EXCHANGE LINE IS CONNECTED TO THE H.E.S. OR EXTN. PLAN.



WIRING

WIRING D.E.L. & P.B.X. EXTN.
(CB & AUTO AREAS)



WIRING EXTN. PLAN & H.E.S.
(CB & AUTO AREAS)

