

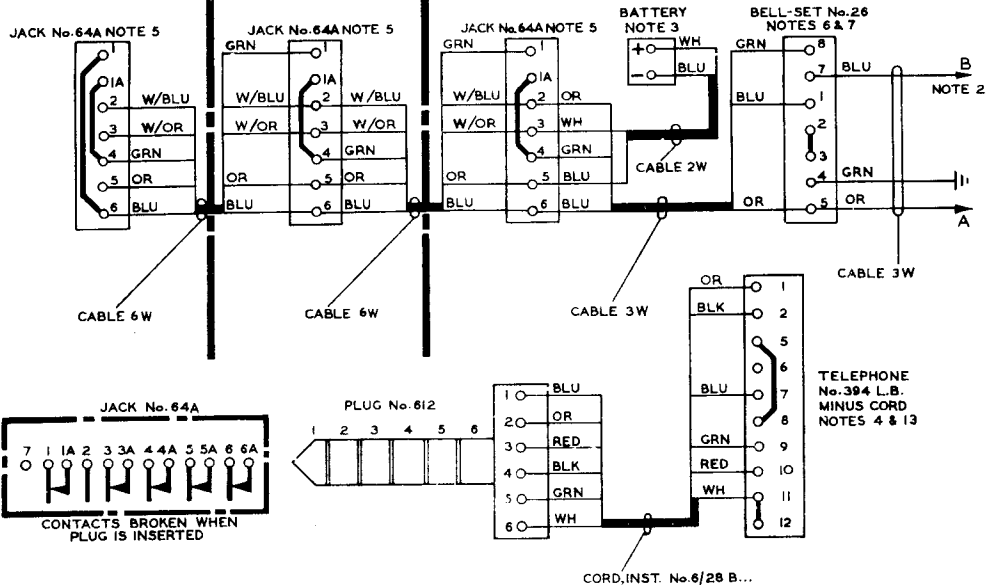
WIRING

USING ONE OR MORE TELEPHONES No.394 L.B. MINUS CORD AND BELL-SET No.26.

LAST POSITION

INTERMEDIATE

FIRST POSITION



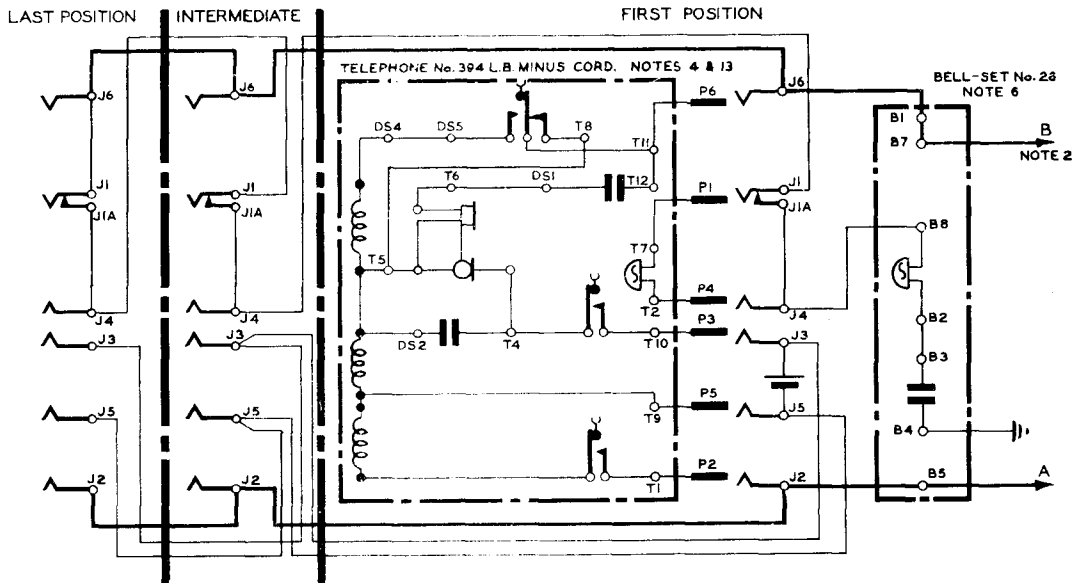
CBS. Nos 2 & 3 SYSTEMS.
 SHARED SERVICE (MANUAL)
SUBSCRIBER'S EXTENSION PLAN 4 (INTERNAL ONLY)

N 4145
 9 PANELS-3
 15-8-51

EXPLANATORY

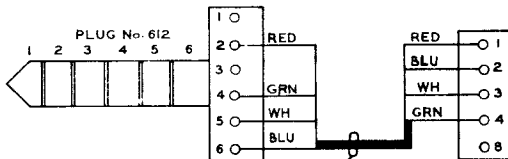
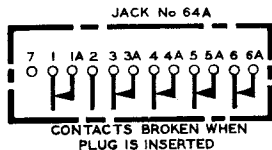
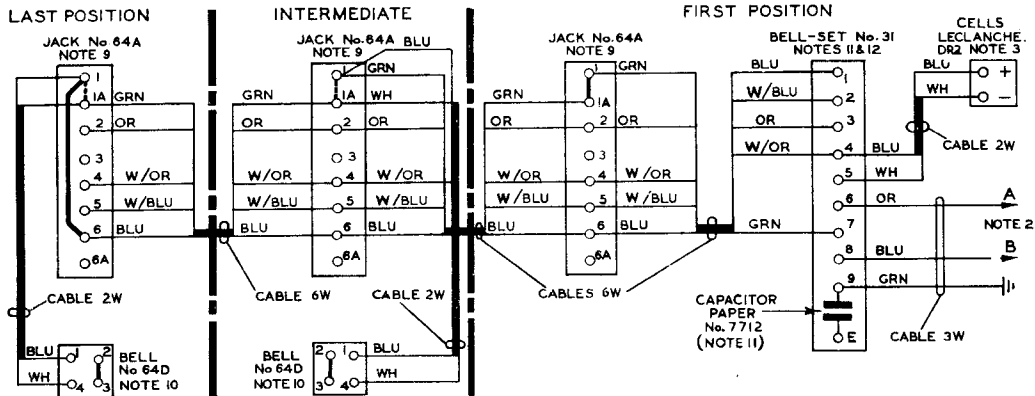
USING ONE OR MORE TELEPHONES No. 394 L.B. MINUS CORD AND BELL-SET No.26.

W	NOTE 8 AMENDED CIRCUIT MODIFICATION, MADE 9 PANELS, PANELS 6, 7, 8, AND 9 MADE YELLOW. CAPACITOR No. 712 WAS MC No. 102, 111 NOTE 13 ADDED.			
	2, 3, 5, 6	D	C.B.S. Nos 2 & 3. & MAG.	
	2, 5, 57	C		
	14, 5, 56	B		
	16, 2, 55	A		



WIRING

USING ONE OR MORE TELEPHONES No. 1/196 L.B. & BELL-SET No. 31.



TELEPHONE
No. 1/196 L.B.
NOTE 8.

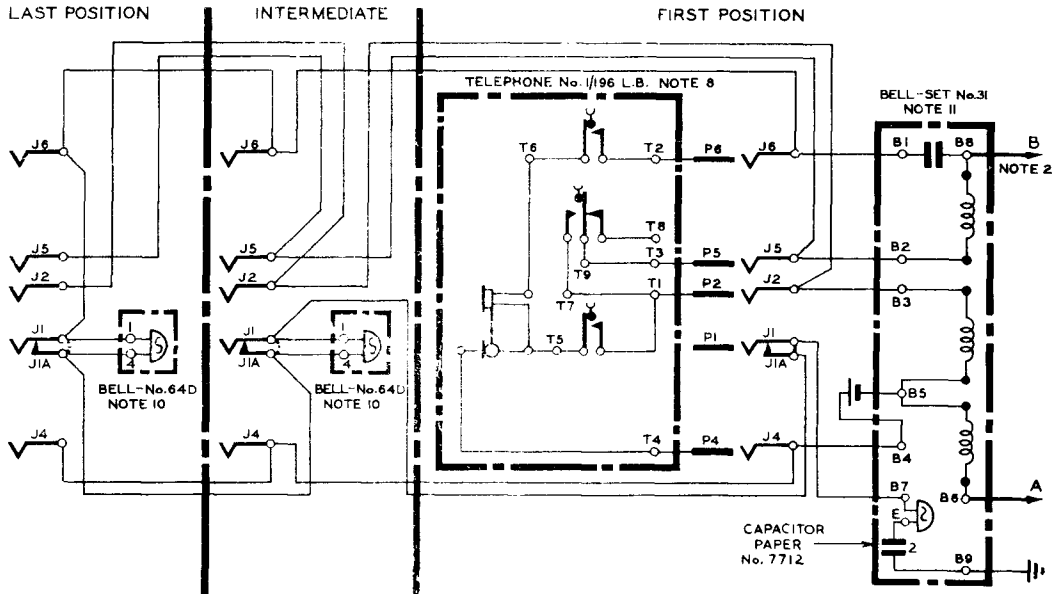
CORD, INST, No. 4/92AB...

C.B.S. Nos 2&3 SYSTEMS.
 SHARED SERVICE (MANUAL)
 SUBSCRIBER'S EXTENSION PLAN 4 (INTERNAL ONLY)

N 4145
 9 PANELS - 5
 15 - B - 51

EXPLANATORY

USING ONE OR MORE TELEPHONES No. 1/196 L.B. & BELL-SET No. 31.



CIRCULATION	C.B.S.		
	Nos 2 & 3		
D	2.3.61		
	2.5.57		
C	14.5.56		
	15.2.55		
Suffix			
A			
B			
C			
D			
NOTE 8 AMENDED.			
CIRCUIT MODIFICATION MADE 9 PANELS			
PANELS 6, 7, 8, AND 9 MADE YELLOW.			
CAPACITOR No. 7712 WAS MC No. 102171			
NOTE 13 ADDED.			
Amend.			
PAPER	W		

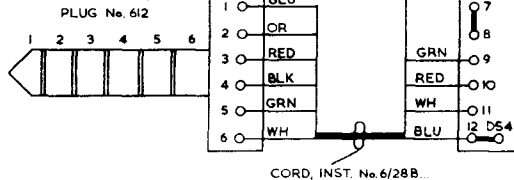
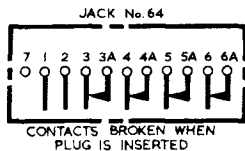
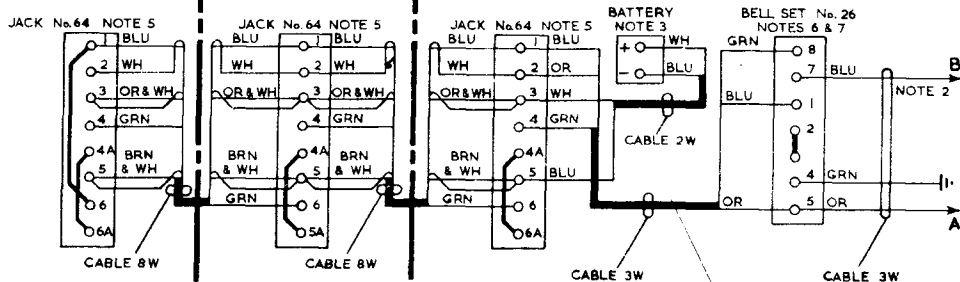
C.B.S. Nos. 2 & 3 SYSTEMS.
 SHARED SERVICE (MANUAL)
 SUBSCRIBER'S EXTENSION PLAN 4 (INTERNAL ONLY)

N414
 9 PANELS
 15-8-51

NOTE 8 AMENDED. CIRCUIT MODIFICATION MADE 9 PANELS PANELS 6, 7, 8, AND 9 MADE YELLOW CAPACITOR No. 7712 WAS MC No. 10211. NOTE 13 ADDED.	7	3	61	D	C.B.S. Nos. 2 & 3 & MAG.
	2	5	57	C	
	14	15	56	B	
	16	17	55	A	
Y					

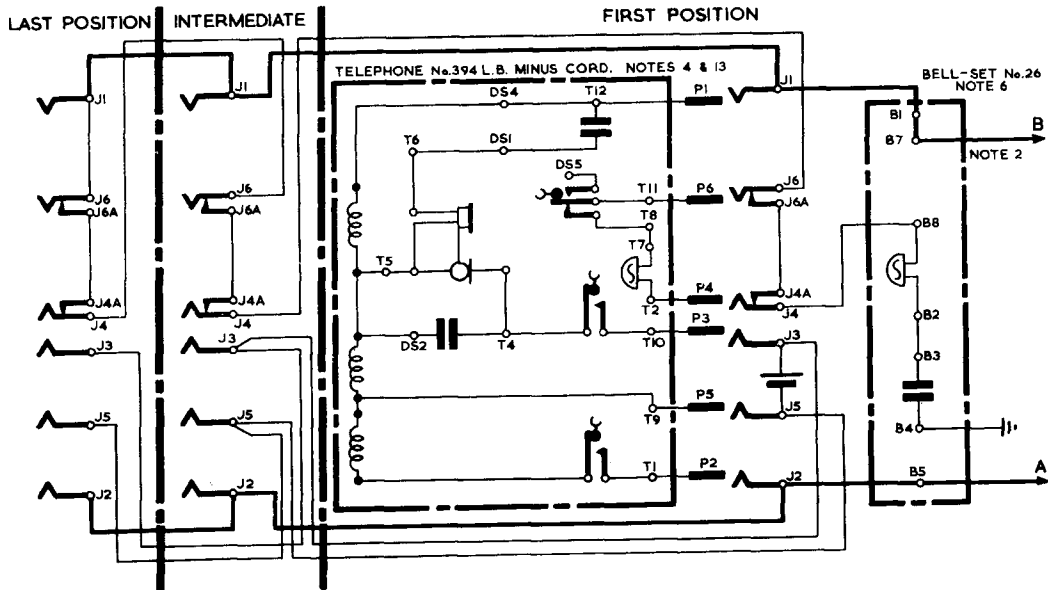
WIRING

USING ONE OR MORE TELEPHONES No. 394 L.B. MINUS CORD AND BELL-SET No. 26
 LAST POSITION INTERMEDIATE FIRST POSITION



EXPLANATORY

USING ONE OR MORE TELEPHONES No.394 L.B. MINUS CORD AND BELL-SET No.26.



C.B.S. Nos. 2 & 3 SYSTEMS

SHARED SERVICE (MANUAL)

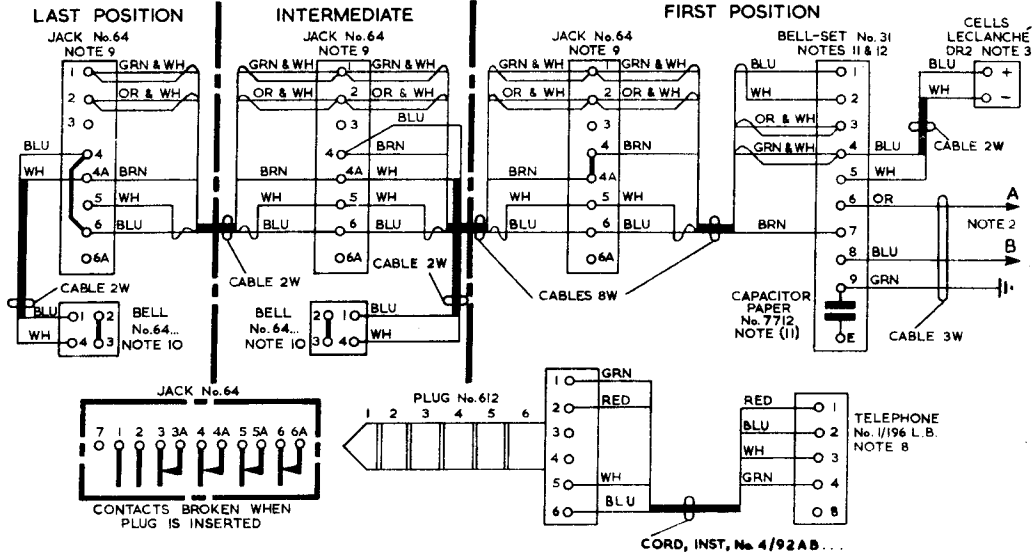
SUBSCRIBER'S EXTENSION PLAN 4 (INTERNAL ONLY)

N 414
9 PANELS
15-8-5

NOTE 8 AMENDED. CIRCUIT MODIFICATION. MADE 9 PANELS PANELS 6, 7, 8, AND 9 MADE YELLOW. CAPACITOR No. 7712 WAS MC No. 102 II NOTE 13 ADDED.	2-3-61 D	2-5-57 C	4-5-56 B	16-2-53 A
	C.B.S. Nos. 2 & 3 & MAG.			
	NOTE 8 AMENDED. CIRCUIT MODIFICATION. MADE 9 PANELS PANELS 6, 7, 8, AND 9 MADE YELLOW. CAPACITOR No. 7712 WAS MC No. 102 II NOTE 13 ADDED.			
	Y			

WIRING

USING ONE OR MORE TELEPHONES No. 1/196 L.B. & BELL-SET No. 31



N4145
9 PANELS-9

EXPLANATORY
USING ONE OR MORE TELEPHONES No. 1/196 L.B. & BELL-SET No. 31

