

C.B.S. Nos. 2 & 3 SYSTEMS
SHARED SERVICE (MANUAL)
SUBSCRIBER'S EXTENSION PLAN IA

N 4142
6 PANELS-1
20-6-51

NOTES

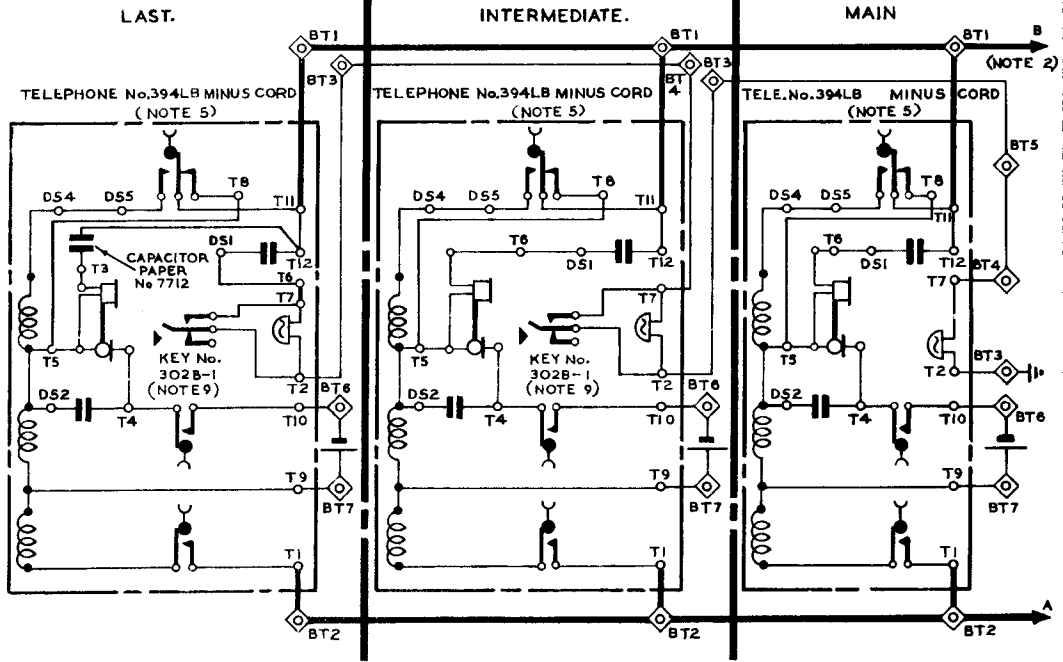
CIRCULATION	CBS 2 & 3 & MAG.
Suffix	B 24457 13-2-56 A
Amend.	PANELS 5 & 6 MADE YELLOW. CIRCUIT MODIFICATION. MADE 6 PANELS INTERNAL DELETED. NOTES REWRITTEN
PAPER	W

1. THE FACILITIES OF PLAN IA ARE SHOWN ON DGM. N1425
2. THE DIAGRAM SHOWS THE CONNEXIONS FOR THE X INSTALLATION. FOR THE Y INSTALLATION REVERSE THE A & B LINES ON BT1 & BT2 AT THE MAIN.
3. APPARATUS REQUIRED
 - AT MAIN:- BLOCK TERMINAL No. 20/8, CELLS LECLANCHÉ DR2 AND EITHER TELEPHONE No. 1/196LB, BELL-SET No. 31 AND CAPACITOR PAPER No. 7712 OR TELEPHONE No. 394LB MINUS CORD WITH CORD, INST. No. 6/21B.
 - AT INTERMEDIATE EXTENSION:- CELLS, LECLANCHÉ DR2... (SEE NOTE 7) & EITHER; BLOCK, TERML. No. 20/4, TELE. No. 1/196LB, BELL-SET No. 31 & SWITCH, TUMBLER No. 1 OR BLOCK, TERML. No. 20/8, TELE. No. 394LB MINUS CORD WITH CORD, INST. No. 6/21B..., KEY No. 302B-1, PART No. 1/DPL/358 & LABEL No. 252 C.
 - AT LAST EXTENSION:- AS FOR INTERMEDIATE EXTENSION EXCEPT THAT CAPACITOR PAPER No. 7712 & CORD INST. No. 5/14B... IS USED WITH TELEPHONE No. 394LB MINUS CORD. SEE ALSO NOTE 8.
4. WHEN TELEPHONE No. 1/196LB AND BELL-SET No. 31 IS USED:-
 - DISCONNECT STRAP B6-B7 IN BELL-SET No. 31 AT EACH STATION & DISCONNECT STRAP B1-E AT THE MAIN AND INTERMEDIATE EXTENSIONS. FIT CAPACITOR PAPER No. 7712 IN SPACE BETWEEN THE INDUCTION COIL & THE BELL COILS & RETAIN IN POSITION BY A STRIP OF TAPE PLASTIC ADHESIVE PASSING ROUND THE CAPACITOR & THE INDUCTION COIL.

4. CONTINUED.
 - IF REQD. TELEPHONE No. 1/196LB MAY BE TERMINATED ON A BLOCK TERMINAL No. 20/4 CONNECTED TO THE BELL-SET No. 31 BY CABLE 4W.
5. WHEN TELEPHONE No. 394LB IS USED:- AT EXTENSIONS FIT KEY No. 302B-1 AND CONNECT TO T2 & T7 TO SHORT-CIRCUIT THESE TERMINALS WHEN THE KEY IS NORMAL. FIT PART No. 1/DPL/358 & LABEL No. 252 C. AT LAST EXTN FIT CAPACITOR PAPER No. 7712 TO CHASSIS USING CLIP No. 56D HELD UNDER A BELL FIXING SCREW. SOLDER TWO LEADS ABOUT 5" LONG TO CAPACITOR FOR CONNEXION TO T3 & T8.
6. FOR AN EXTENSION BELL FROM THE MAIN:- CONNECT BELL No. 64D BETWEEN BT4 & BT5.
7. TWO OR THREE CELLS LECLANCHÉ DR2 TO BE PROVIDED AS REQUIRED (SEE E.I. TELEPHONES STATIONS A3205)
8. WHEN USING TELE. No. 1/196LB AT LAST EXTENSION THE INCOMING CABLE TO THE EXTN. MAY BE TERMINATED DIRECT ON BELL-SET No. 31 OMITTING TERMINAL BLOCK.
9. ON EARLIER INSTALLATIONS A KEY No. 304A WAS USED, T2 BEING CONNECTED TO K11 AND T7 TO K12.

N4142
6 PANELS-2

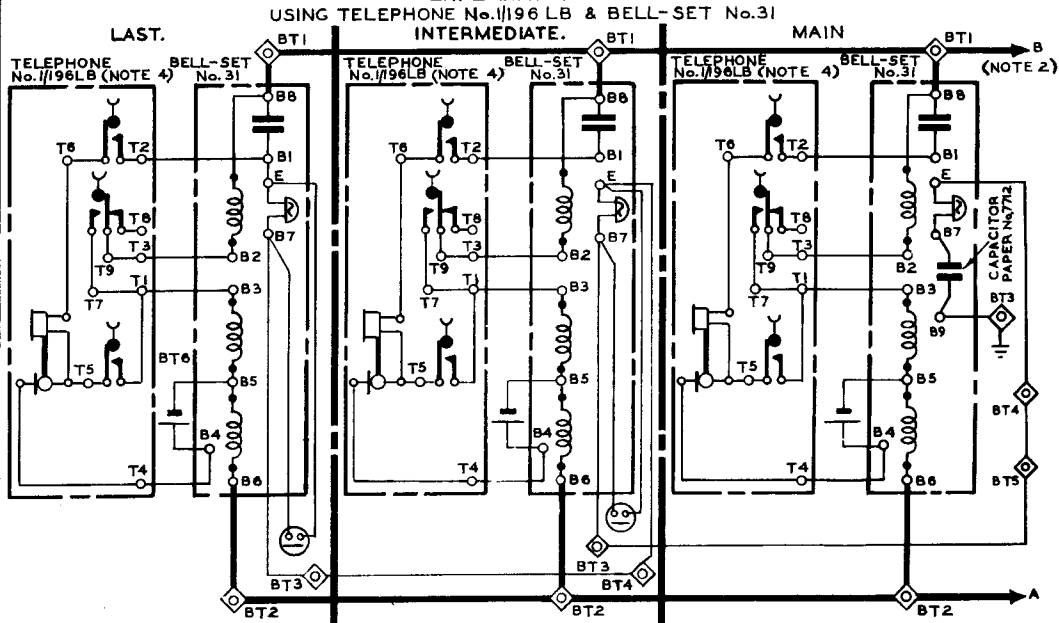
EXPLANATORY
USING TELEPHONE No 394LB MINUS CORD



C.B.S. Nos. 2 & 3 SYSTEMS SHARED SERVICE (MANUAL) SUBSCRIBER'S EXTENSION PLAN IA EXPLANATORY

N4142
6 PANELS-3
20-6-51

W	PANELS 5 & 6 MADE YELLOW. CIRCUIT MODIFICATION MADE INTERNAL DELETED. NOTES REWRITTEN.
24-4-57 B	CBS 2 & 3 & MAG.

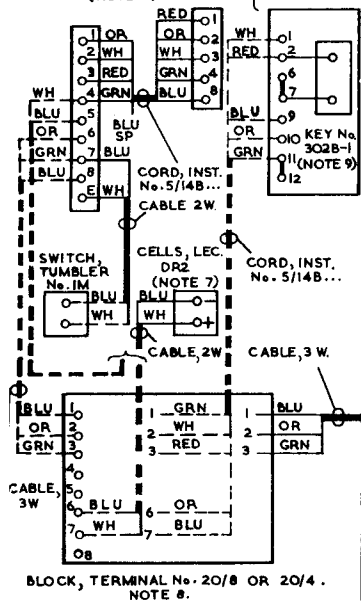


N4142.

6 PANELS-6.

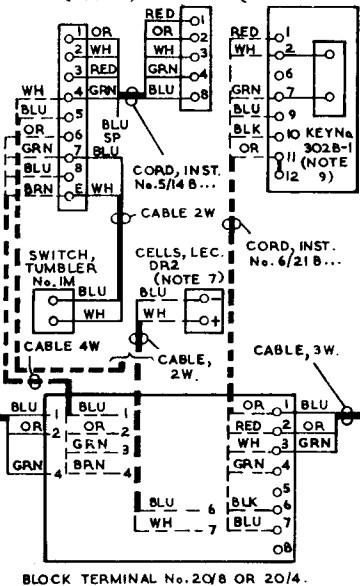
LAST.

BELL-SET No. 31. & TELEPHONE No. 1/196 LB. (NOTE 4) OR TELEPHONE No. 394 LB MINUS CORD. (NOTE 5)



WIRING.
INTERMEDIATE.

BELL-SET No. 31. & TELEPHONE No. 1/196 LB. (NOTE 4) OR TELEPHONE No. 394 LB MINUS CORD. (NOTE 5)



MAIN

BELL-SET No. 31. & TELEPHONE No. 1/196 LB. (NOTE 4) OR TELEPHONE No. 394 LB MINUS CORD (NOTE 5)

