

# C.B.S Nos. 2 & 3 SYSTEMS

SUBSCRIBERS EXTENSION PLAN 2  
USING TELEPHONE No. 394 L B

N4129

4 PANELS-1  
5-8-60  
SUPERSEDED FOR  
NEW WORK BY N4604

## NOTES.

1. THE FACILITIES OF PLAN 2 ARE SHOWN ON DIAGRAM N 1435.
2. APPARATUS REQUIRED  
ALL STATIONS.  

1 TELEPHONE No. 394LB	}	SEE NOTES 6 & 7
1 KEY No. 303A		
1 LABEL No. 252G		
2 PARTS 1/SPL/325		
1 BLOCK TERMINAL No. 20/B	}	SEE NOTES 6 & 7
1 CORD INST. No. 8/06B ...		
2 OR 3 CELLS LECLANCHÉ R 40 (SEE E.I TELEPHONES STATIONS A 32 05)		
1 BOX BATTERY No. 3.		
3. SET LATCH BRACKET PLATE AS SHOWN ON DGM. N 4301 FIG. 6. SWITCH HOOK RELEASE SHOULD NOT BE PROVIDED.
4. MAIN AND EXTENSION TELEPHONES MAY BE CONNECTED IN ANY ORDER. ALL EXTNS. ARE SIMILARLY WIRED.
5. ON ALL TELEPHONES TRANSFER GRN CONDUCTOR OF CORD INST. No. 3/63D FROM T6 TO T3.
6. WHEN AN EXTENSION BELL IS REQUIRED ON LINE 1  
AT MAIN 1  

DISCONNECT STRAP K22-T2
RECOVER BT 20/B AND CORD INST. No. 8/06 B... AND FIT BLOCK TERMINAL No. 20/12 AND CORD INST. No. 9/19H
CONNECT ADDITIONAL GRN-RED CONDUCTOR TO T2 AND BT9
CONNECT SEPARATE EXTENSION BELL BETWEEN BT1 AND BT9 OR IF BELL IN EXTENSION TELEPHONE IS USED AS EXTENSION BELL CONNECT BT9 TO BT9 AT EXTENSION AND

### AT EXTENSION

CONNECT T7-K22  
RECOVER BLOCK TERMINAL No. 20/8 AND CORD INST. No. 8/06B... AND FIT BLOCK TERMINAL No. 20/12 AND CORD INST. No. 9/19H...  
CONNECT ADDITIONAL GRN-RED CONDUCTOR TO T2 AND BT9.

7. WHEN AN EXTENSION BELL IS REQUIRED AT LINE 2

### AT MAIN 2

DISCONNECT STRAP K23-T2  
RECOVER BLOCK TERMINAL No. 20/B AND CORD INST. No. 8/06B... AND FIT BLOCK TERMINAL No. 20/12 AND CORD INST. No. 9/19H...  
CONNECT ADDITIONAL GRN-RED CONDUCTOR TO T2 AND BT9  
CONNECT SEPARATE EXTENSION BELL BETWEEN BT6 AND BT9 OR IF BELL IN EXTENSION TELEPHONE IS USED AS EXTENSION BELL CONNECT BT9 TO BT9 AT EXTENSION AND

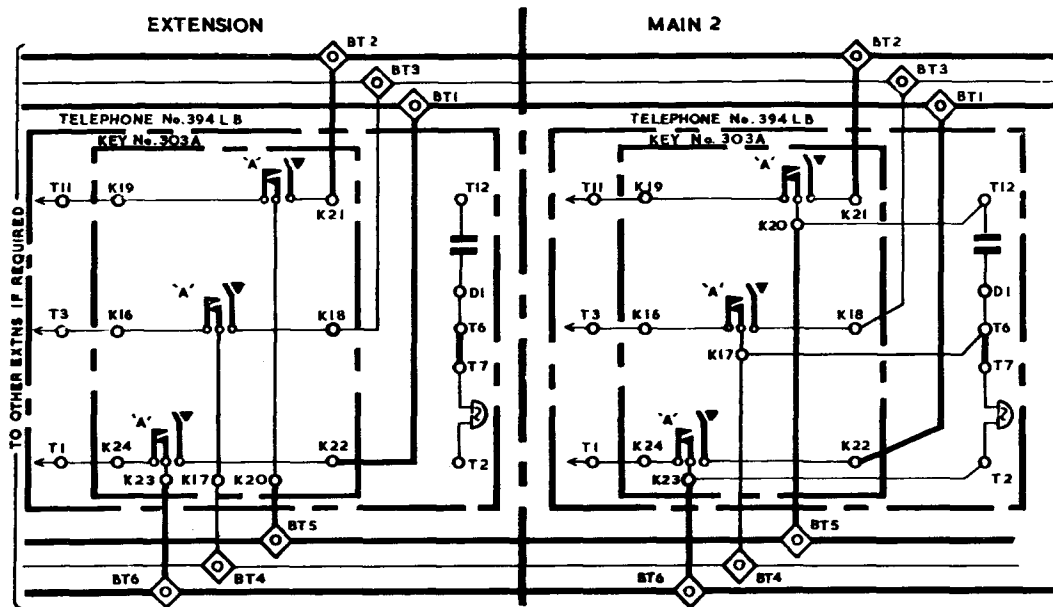
### AT EXTENSION

CONNECT T7-K23  
RECOVER BLOCK TERMINAL No. 20/B... AND CORD INST. No. 8/06B... AND FIT BLOCK TERMINAL No. 20/12 AND CORD INST. No. 9/19H...  
CONNECT ADDITIONAL GRN-RED CONDUCTOR TO T2-BT9.

8. THE EXCHANGE NUMBER OF LINE 1 MUST BE INSERTED ON THE LEFT AND OF LINE 2 ON THE RIGHT OF THE DIAL CENTRE LABEL.

N 4129

4 PANELS-2

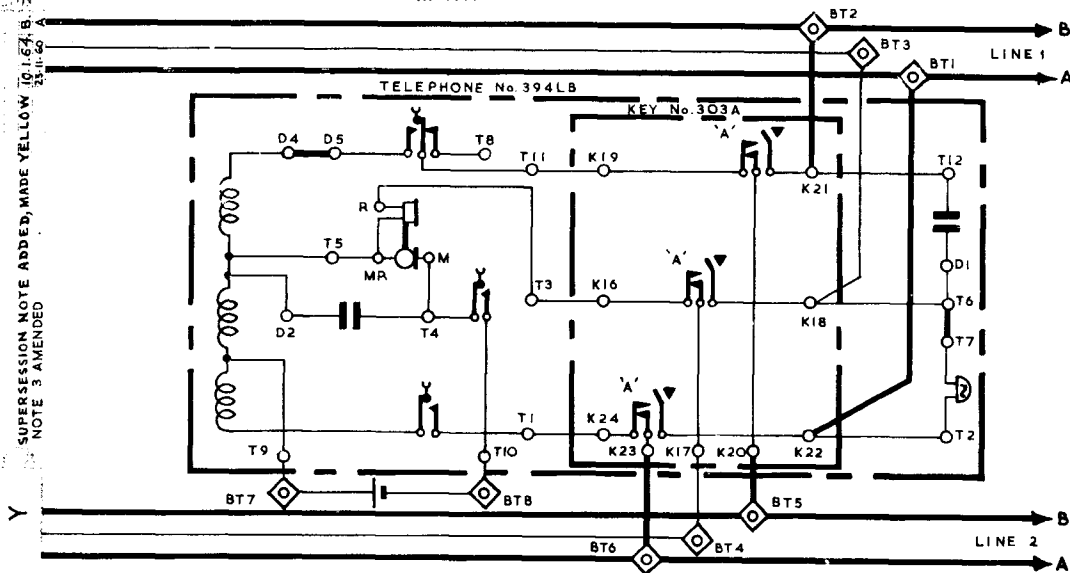


C.B.S. Nos. 2 & 3 SYSTEMS  
 SUBSCRIBERS EXTENSION PLAN 2  
 USING TELEPHONE No. 394 LB

N4129  
 4 PANELS-3  
 5-8-60  
 SUPERSEDED FOR NEW  
 WORK BY N4604.

MAIN 1

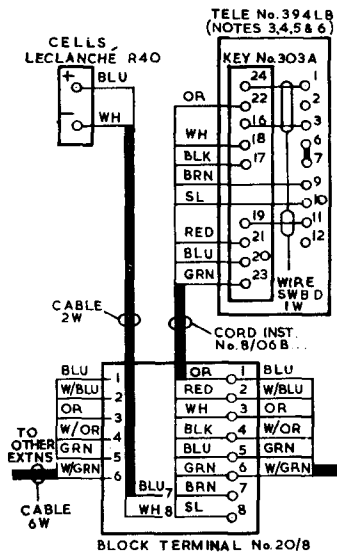
C.B.S. 2 & 3  
 SUPERSESSION NOTE ADDED, MADE YELLOW 10.1.67, B. 2. 18 MAGNETO  
 NOTE 3 AMENDED 23.11.60



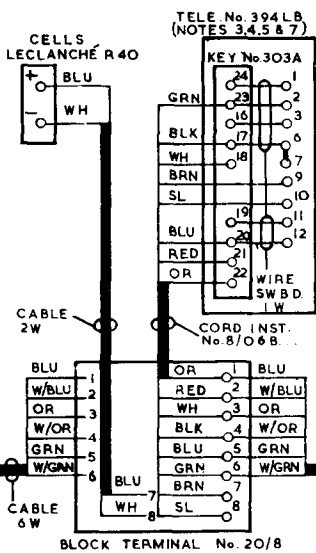
# N4129

4 PANELS-4

## EXTENSION



## MAIN 2



## MAIN 1

