

CIRCULATION

C.B.S. Nos. 2&3
& MAGNETO

CALL OFFICE CIRCUIT - C.B.S. Nos. 2&3 SYSTEMS.
SUBSCRIBER'S EXTENSION WORKING, PLAN No. 1A (INTERNAL ONLY).
 USING TELEPHONE No. 196 MINUS CORD, BOX, C.C. No. 16A COMPLETE & BELL SET No. 31.
 EXPLANATORY DIAGRAM.

N 4126

3 PANELS - 1
28-5-36

SUPERSEDES FOR NEW WORK
N 3507

EXTENSION No. 2.

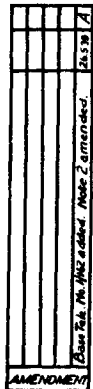
TELE. No. 196 MINUS CORD & BASE TELE. No. 1/162
BOX, C.C. No. 16A COMPLETE. BELL SET No. 31.

EXTENSION No. 1.

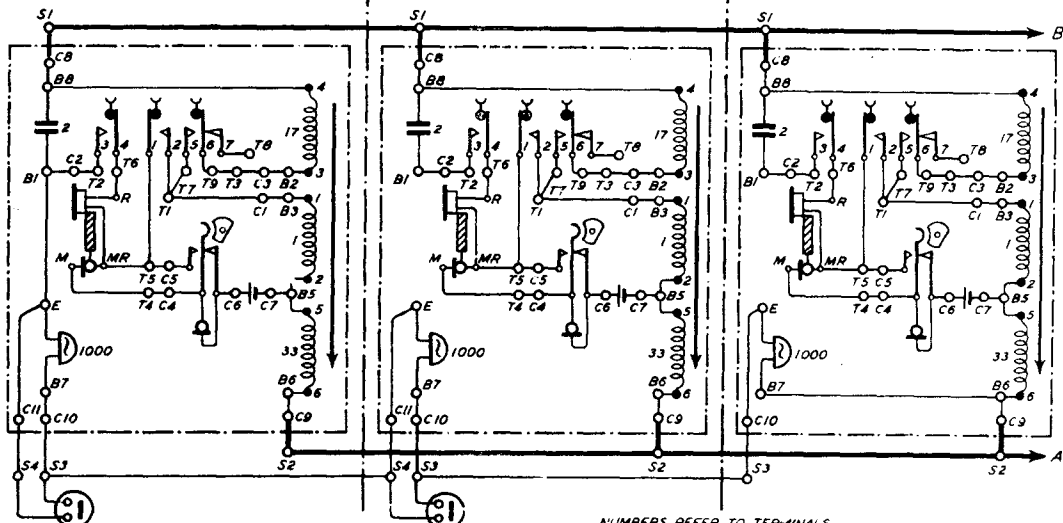
TELE. No. 196 MINUS CORD & BASE TELE. No. 1/162
BOX, C.C. No. 16A COMPLETE. BELL SET No. 31.

MAIN

TELE. No. 196 MINUS CORD & BASE TELE. No. 1/162
BOX, C.C. No. 16A COMPLETE. BELL SET No. 31.



AMENDMENT



→ INDICATES DIRECTION OF WINDINGS ON COIL INDUCTION

NUMBERS REFER TO TERMINALS.

B = BELL SET. C = COIN BOX. S = STRIP. T = TELEPHONE.

W

N4126

3 PANELS - 2

NOTES

1. THE CONNEXIONS IN "BOX C.C. No. 16A COMPLETE" SHOWN THUS: — — — — SHOULD BE MADE LOCALLY.
2. WHEN THE EQUIPMENT IS FITTED ON A WALLBOARD, PROVIDE BRACKET TELE. No. 14, BASE TELE. No. 1/162 AND CORD INST. No. 6/21M30". THE CORD SHOULD BE PASSED THROUGH A HOLE IN THE WALLBOARD IMMEDIATELY BEHIND THE TELE. & TERMINATED DIRECT ON THE CONNEXION STRIP IN THE BOX C.C. No. 16A COMPLETE. WHEN THE TELE. IS REQUIRED TO STAND ON DESK OR TABLE, PROVIDE CORD INST. No. 6/21B..., BLOCK TERMINAL No. 20/B BEING PROVIDED IF NECESSARY.
3. A "BACKBOARD FOR BOX C.C. No. 16A" WILL BE REQUIRED WITH "BOX C.C. No. 16A COMPLETE" WHEN THE LATTER IS FITTED TO A DESK OR TABLE.
4. REMOVE STRAP AND CONNECT EXTENSION BELL BETWEEN TERMINALS 6 & 7 IN "BELL SET No. 31" AT MAIN WHEN REQUIRED.
5. REMOVE STRAPS IN "BELL SET No. 31" AS FOLLOWS :-
 - (a) AT THE MAIN, BETWEEN TERMINALS 1 & E.
 - (b) AT EXTENSION No. 1, BETWEEN TERMINALS 1 & E; 6 & 7.
 - (c) AT EXTENSION No. 2, BETWEEN TERMINALS 6 & 7.
6. FIT TWO LABELS No. 21 ENGRAVED "NORMAL" & "BELL" ENGRAVING No. 12 B1 WHEN SWITCH TUMBLER No. 1 IS USED.
7. IF ONLY ONE EXTENSION IS REQUIRED OMIT WIRING AND APPARATUS AT EXTENSION No. 1 AND CONNECT AS FOR EXTENSION No. 2.
8. PROVIDE "BATTERY, LECLANCHÉ WK 4, WK 2 OR WK 1," 2 OR 3 CELLS ACCORDING TO REQUIREMENTS (SEE E.I. TELEPHONE STATIONS A3205).

N.B. PARTICULARS OF FACILITIES ETC. ON PLAN No. 1A ARE SHOWN ON DIAGRAM N1425

THE MECHANICAL FEATURES OF BOX C.C. No. 16A ARE SHOWN ON DIAGRAM N1184

THE FOLLOWING DIAGRAMS SHOW THE INTERNAL CONNEXIONS OF:-

- (1) "TELEPHONE No. 196 MINUS CORD" N296.
- (2) "BELL SET No. 31" N531

REGULATION

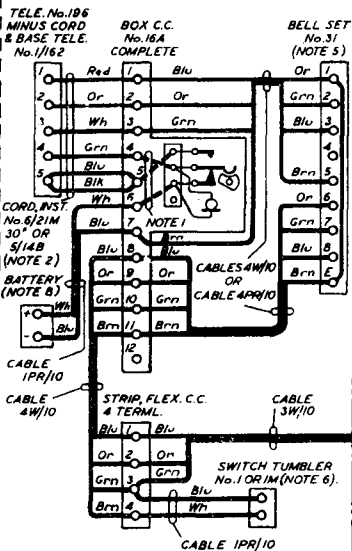
C.B.S. Nos. 2&3
& MAGNETO

CALL OFFICE CIRCUIT - C.B.S. Nos. 2&3 SYSTEMS.
SUBSCRIBER'S EXTENSION WORKING, PLAN No. 1A (INTERNAL ONLY).
USING TELEPHONE No. 196 MINUS CORD, BOX, C.C. No. 16A COMPLETE & BELL SET No. 31.
WIRING DIAGRAM.

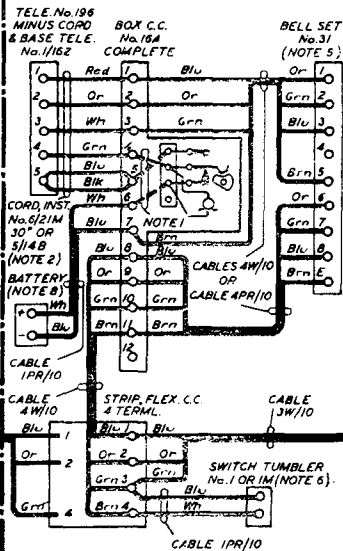
N4126

3 PANELS - 3
28-5-36SUPERSEDES FOR NEW WORK
N3507

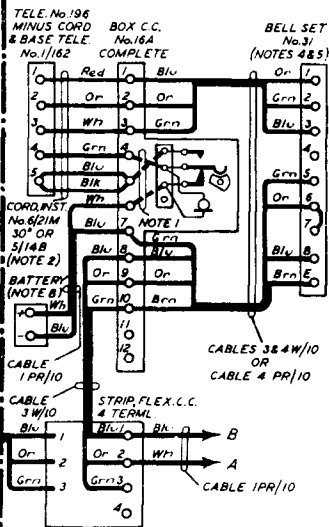
EXTENSION No. 2.



EXTENSION No. 1.



MAIN



AMENDMENT

W