

| | | | |
|--------------------------------|----------|---|---|
| C.B.S. No. 283 & MAGNETO | I-5-SB A | MADE 9 PANELS 7, 8 AND 9 MADE YELLOW JACK No. 64A WAS JACK No. 64. | W |
|--------------------------------|----------|---|---|

MAGNETO SYSTEM

EXTENSION PLAN No. 4 (INTERNAL ONLY)

N 4018

14-2-39
9 PANELS-1

NOTES.

1. THE FACILITIES OF PLAN 4 ARE GIVEN ON N1427.

2. FIT BELLS LECLANCHÉ DR2. 2 OR 3 CELLS
ACCORDING TO REQUIREMENTS. (SEE E.I. TELEPHONES
STATIONS A3205).

USING TELE. No. 1/196 LB.

3. FIT PLUG No. 612. BLUE CONDUCTOR NOT USED, SECURE
TO CORD INSIDE PLUG COVER. STRAP P1 & P3 ON PLUG 612.

4. FIT JACK No. 64A, GENR. No. 26 AN AND BLOCK TERML.
20/4 AT EACH POSITION AND ALSO BELL SET No. 31
AT FIRST POSITION. STRAP J1A AND J3A AT EACH
JACK AND IN ADDITION J3 AND J3A AT FIRST POSITION.
REMOVE STRAP BETWEEN TERMINALS B1 AND E IN
BELL SET No. 31.

5. FIT BELL No. 64D AT EACH JACK EXCEPT THOSE
WITHIN EARSHOT OF MAIN BELL.
TERMINALS J3 AND J3A SHOULD BE STRAPPED
WHEN BELL No. 64 D IS NOT FITTED.

6. WHEN AN EXTENSION BELL IS REQUIRED CONNECT
IN PLACE OF STRAP BETWEEN TERMINALS B6 & B7
IN BELL SET No. 31.

USING TELE. No. 396 LB.

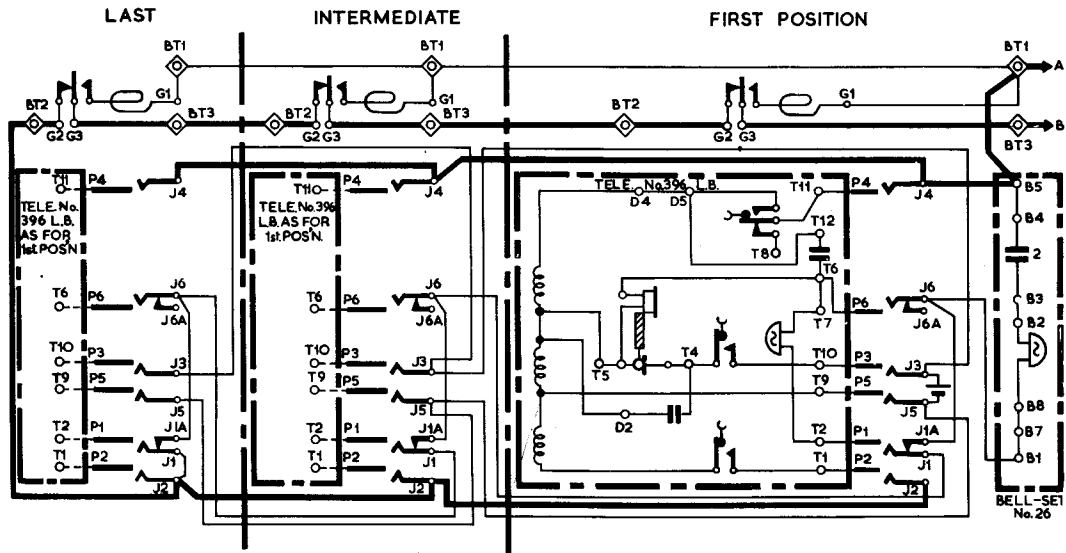
7. RECOVER BLOCK TERMINAL No. 20/8 AND CORD INST.
No. 5/14B. FIT CORD INST. No. 6/28B AND PLUG No. 612.
FIT JACK No. 64A, GENR. No. 26 AN AND BLOCK TERML. 20/4
AT EACH POSITION, ALSO BELL SET No. 26 AT FIRST POSITION.

8. STRAP J1A AND J6 ON ALL JACKS AND IN ADDITION J1 & J2
ON LAST POSITION.

9. WHEN AN EXTENSION BELL IS REQUIRED CONNECT IN
PLACE OF STRAP BETWEEN B7 & B8 IN BELL SET No. 26

10. IF MORE THAN ONE TELEPHONE IS REQUIRED PROVIDE A
SEPARATE BATTERY CONNECTED TO J3 AND J5 AT EACH
JACK, AND OMIT COMMON BATTERY WIRING BETWEEN
JACK. USE CABLE 3W IN PLACE OF CABLE 6W
BETWEEN JACKS.

USING TELEPHONE No 396 L.B. & JACKS No.64A.
EXPLANATORY



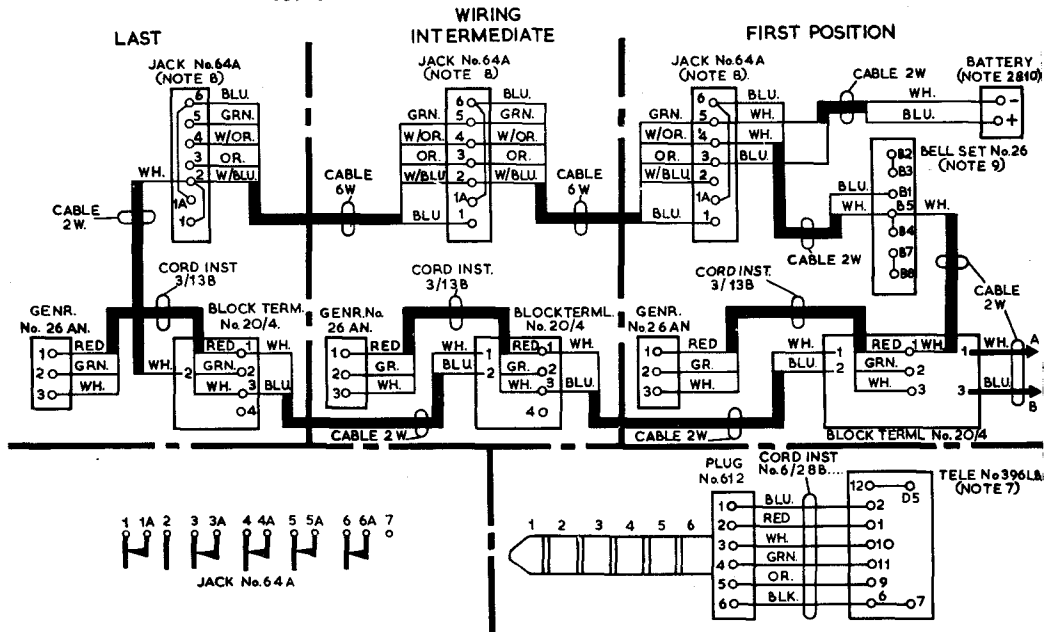
| | |
|--|----------|
| C.B.S. No. 14 | MAGNETO |
| MADE 9 PANELS: 78 RND 9 MADE YELLOW JACK No. 64A WAS JACK 64 | 1-5-5B A |

MAGNETO SYSTEM

EXTENSION PLAN No. 4. (INTERNAL ONLY)

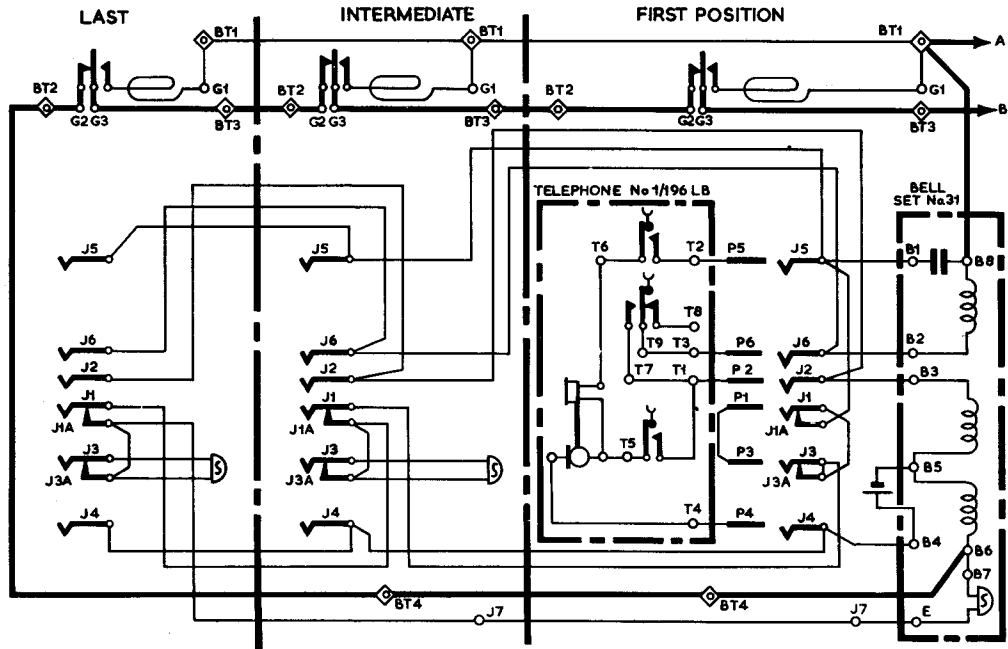
USING TELEPHONE No. 396 L BAND JACKS No. 64 A

N4018
14 - 2 - 39
9 PANELS - 3



N4018
9 PANELS - 4

USING TELEPHONE No.1/196 L.B. BELL SET No.31 & JACKS No.64A
EXPLANATORY



MAGNETO SYSTEM

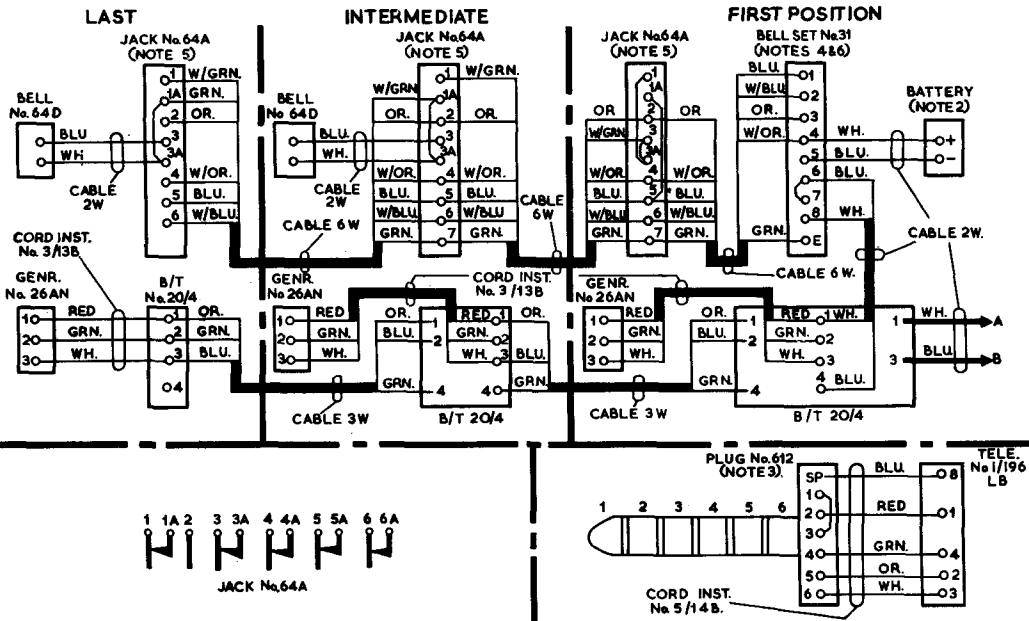
EXTENSION PLAN No 4 (INTERNAL ONLY)

USING TELEPHONE No 1/196 L.B., BELL SET No. 31 & JACKS No 64A.

N 4018

14-2-39
9 PANELS-5

| | | |
|--|----------------|---------|
| CIRCULATION | C.B.S. No. 283 | MAGNETO |
| Suffix | | |
| A | | |
| 11-5-58 | | |
| MADE 9 PANELS, 7, 8, AND 9 MADE YELLOW, JACK No. 64A WAS JACK No. 64 | | |
| Amendt. | | |
| PAPER | W | |



CIRCULATION

G.B.S. Nos. 2 & 3
& MAGNETO.

MAGNETO SYSTEM

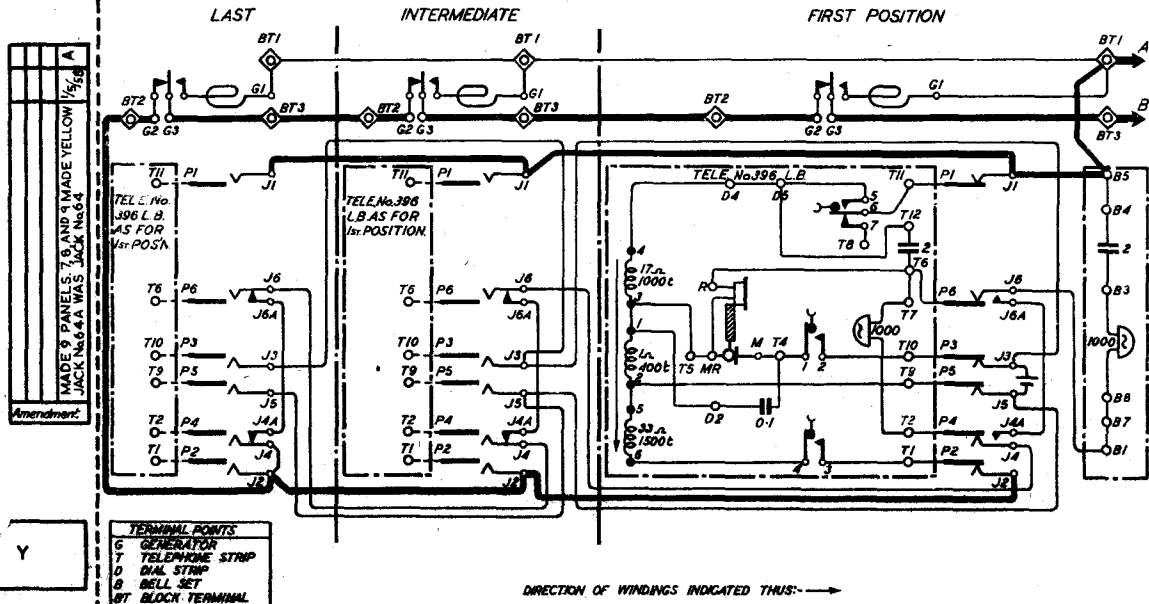
EXTENSION PLAN No 4 (INTERNAL ONLY)

USING TELEPHONE No 1/196 L.B. BELL SET No 31 & JACKS No 64

EXPLANATORY.

N4018

1A-2-39
9 PANELS-6

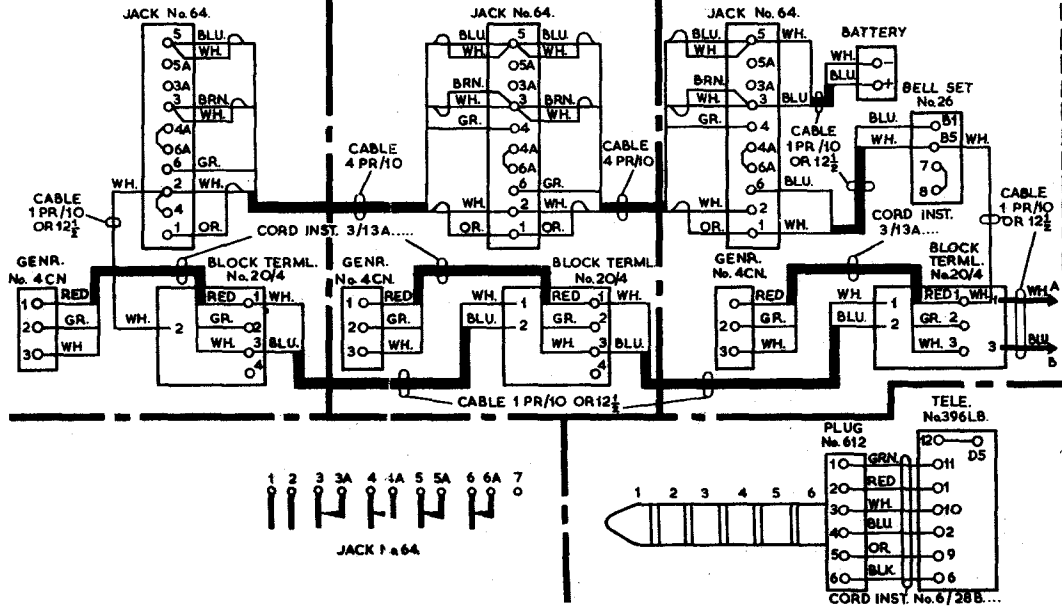


USING TELEPHONE No 396LB
WIRING DIAGRAM

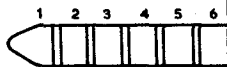
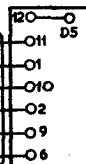
LAST

INTERMEDIATE

FIRST POSITION



JACK No. 64

PLUG
No. 612

CORD INST. No. 6/28B.....

CIRCULATION

C.B.S. Nos. 283
& MAGNETO.

MAGNETO SYSTEM

EXTENSION PLAN No. 4 (INTERNAL ONLY)

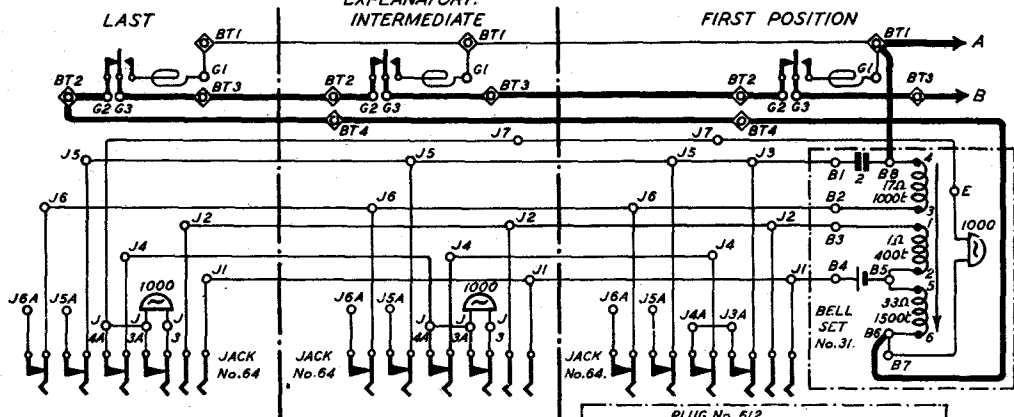
USING TELEPHONE No. 1/196 LB BELL SET No. 31 & JACKS No. 64

N 4018

14-2-39

9 PANELS-B

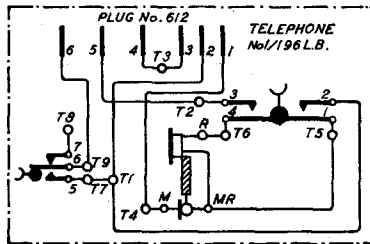
EXPLANATORY.



TERMINAL POINTS

- B BELL SET
- G GENERATOR
- J JACK
- T TELEPHONE
- BT BLOCK TERMINAL

DIRECTION OF WINDINGS INDICATED THIS: →



MADE 9 PANELS, 78 & 4 MADE YELLOW 11/1938
 JACK No. 64 WAS JACK No. 64
 Amendment

Y

N4018
9 PANELS 9

USING TELEPHONE No.1/196LB BELL SET No.31 & JACKS No.64

