

# AUTOMATIC SYSTEM

SHARED SERVICE (SEPARATE METERING) SUBSCRIBER'S EXTENSION PLANS 7 & 7A (EXTERNAL) USING BELL-SET No. 44.

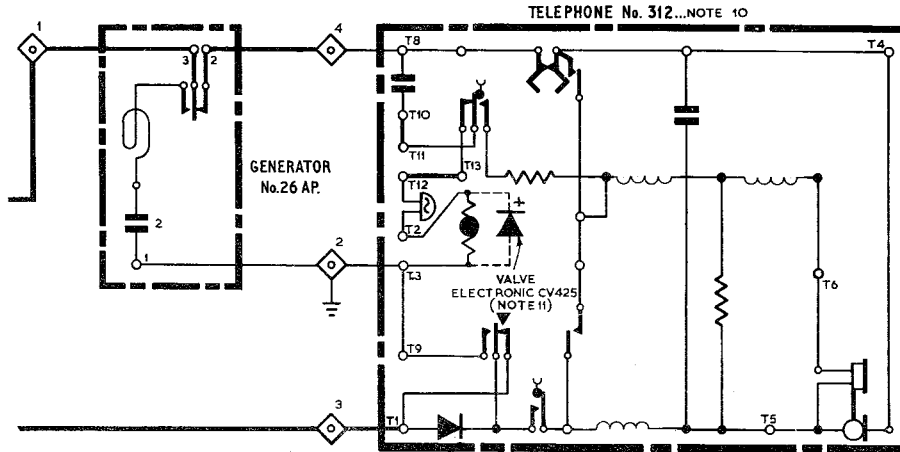
N3929

PAGE 1-2

ISSUE C

SUPERSEDES FOR NEW WORK N 3860, N 3930

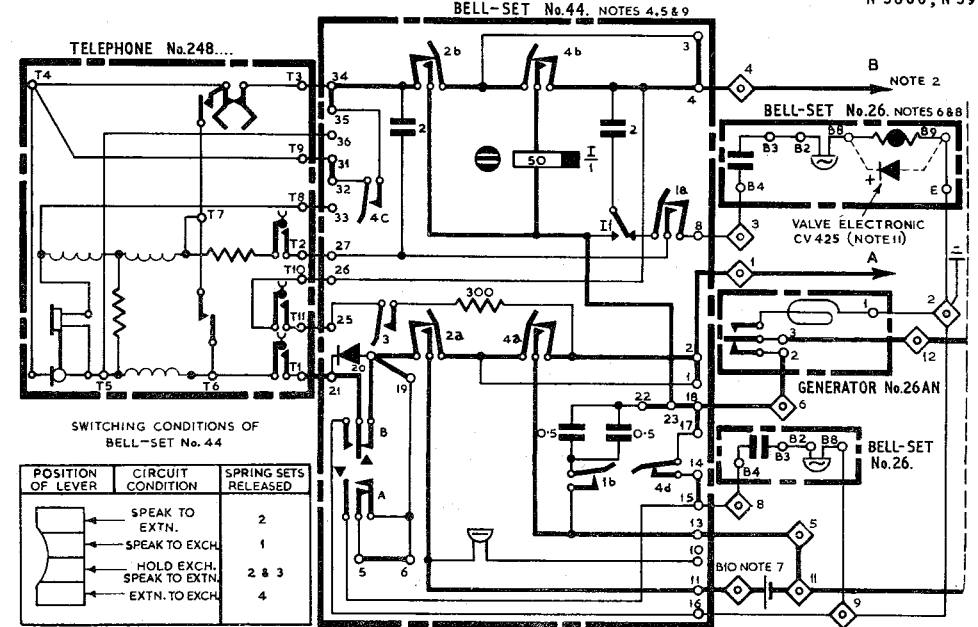
## EXPLANATORY OF EXTENSION



APPARATUS SCHEDULE	
Main	Extension
1 Bell-set No. 44.	1 Telephone No. 312...
2 Bell-sets No. 26	1 Generator No. 26 AP.
1 Thermistor No. 1. A.P. (Note 11).	1 Cord. Inst. No. 3/13 B...
1 Telephone No. 248 ...	
1 Generator No. 26 AN.	
1 Cord. Inst. No. 3/13 B...	
1 Box, battery. for 3 dry cells	
2 or 3 cells, dry R.40 (Note 7).	

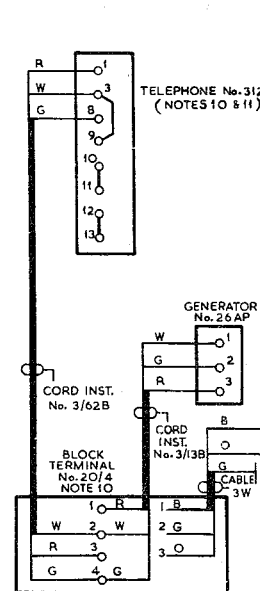
For notes see page 2.

## EXPLANATORY OF MAIN

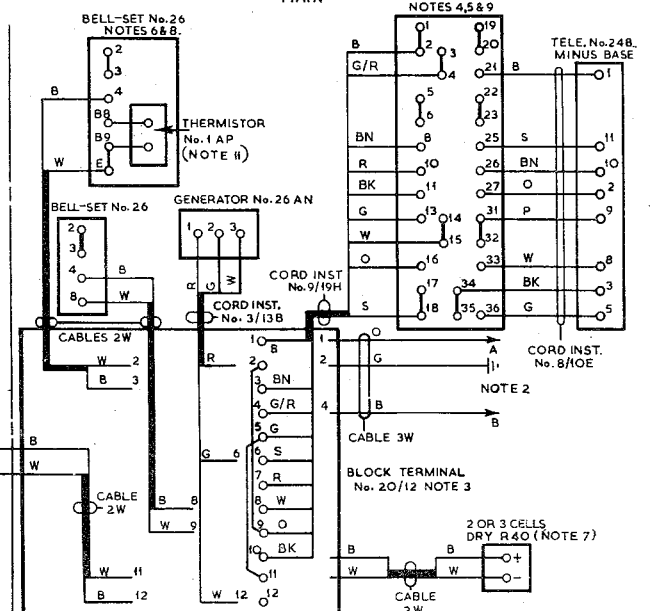


POSITION OF LEVER	CIRCUIT CONDITION	SPRING SETS RELEASED
←	SPEAK TO EXTN.	2
←	SPEAK TO EXCH.	1
←	HOLD EXCH. SPEAK TO EXTN.	2 & 3
←	EXTN. TO EXCH.	4

## EXTENSION



## WIRING



P. O. M. D.  
M. 2. 2. 3

PAPER: W

CIRCULATION  
C.B. & AUTO

ISSUES			
C	New Format	29. 3. 68	
B	Note 11 added, supersession note amended.	5-11-58	
	J.H.C. S1/1	26-9-50	

NOTES

GENERAL

1. For plans 7 & 7A with internal extension using bell-set No.44 & telephone No.314... on shared service (separate metering) see Dgm. N3927. The facilities of plans 7 & 7A are given on Dgm. N1429.
2. The connexions shown are for 'X' installations. For 'Y' installations reverse the A & B wires on BT1 & BT4 at the main.

MAIN

3. Remove strap BT1-BT2 & connect strap BT2-BT9.
4. In bell-set No.44 remove strap 20-21 and connect strap 14-15.
5. Remove dummy plate covering left-hand press-button of bell-set No.44 and screw the plate to the side of the indicator. Fix "Call exchange" label over the press button. Remove plunger from left-hand press button spring and fit in the conical guide.
6. In bell-set No.26 remove strap B7-B8, connect strap B9-E and fit thermistor No.1 A.P. between B8 & B9.
7. 2 or 3 cells dry R40 to be provided according to requirements (see E.I. tele. stations A3205.)
8. If an extension bell is required remove strap & connect bell between B2 & B3 in bell-set No.26.
9. The diagram shows connexions for plan 7. For plan 7A disconnect straps 1-2, 3-4, 31-32, & 34-35, connect straps 32-33, & 35-36 in bell-set No.44.

EXTENSION

10. If an extension bell is required replace cord, inst. No.3/62B... and block, terminal No.20/4 by cord, inst. No.4/57B... and block, terminal No.20/8 connected as follows :-  
BT2-G-T9; BT3-R-T1; BT4-B-T8 & BT5-W-T3. Remove strap T3-T9 and connect, bell between BT2 & BT5.

USE OF VALVE ELECTRONIC CV425.

11. In U.A.X. areas with vibrator ringing a valve electronic CV425 should be connected between the terminals shown.