

AUTOMATIC SYSTEM
SHARED SERVICE (SEPARATE METERING)
SUBSCRIBER'S EXTENSION PLANS 7 & 7A (INTERNAL)

N3928

5 PANELS-1
 19-7-52

SUPERSEDED FOR
 NEW WORK BY N3927

NOTES :-

GENERAL.

1. FOR PLANS 7 & 7A WITH EXTERNAL EXTENSION USING BELL-SET No.39C & TELE. No.312...ON SHARED SERVICE (SEPARATE METERING) SEE DGM.N 3930. THE FACILITIES OF PLANS 7 & 7A ARE GIVEN ON DGM.N1429.
2. THE CONNEXIONS SHOWN ARE FOR X INSTALLATIONS, FOR Y INSTALLATIONS REVERSE THE A & B WIRES ON BT2 & BT4 AT THE MAIN.
3. IN DAMP SITUATIONS A SINGLE P.V.C. COVERED CABLE MAY BE USED INSTEAD OF TWO SMALLER CABLES. WIRE COLOURS FOR THE SINGLE CABLE TERMINATIONS ARE SHOWN IN BRACKETS THUS, (BLU), (W/BLU) SIGNIFIES WHITE OF BLUE.
4. PANEL 6 IS FOR MAINTENANCE PUPOSES ONLY AND SHOWS THE USE OF TELEPHONE No.312...EARLY SUPPLIES OF WHICH ARE FITTED WITH A CORD, INST. No.5/14B...AND BLOCK TERMINAL No.20/8.

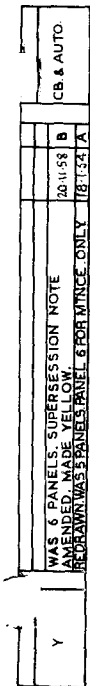
MAIN.

5. CONNECT STRAP BT1-BT6.
6. REMOVE DUMMY PLATES COVERING THE PRESS-BUTTONS OF BELL-SET No.39C. AND SCREW THE PLATES TO THE MOUNTING BRACKET OF FILTER, SUPPRESSION No.26A IN THE BELL-SET. REMOVE PLUNGERS FROM THE PRESS-BUTTON SPRINGS AND FIT THEM IN THE CONICAL GUIDES.
7. DISCONNECT STRAP T3-T4 IN TELEPHONE No.248...
8. IN EARLY TELEPHONES No.248 C.B. THE CONNEXIONS TO T6 & T8 WERE REVERSED. THE EARLY TERMINAL NUMBER IS SHOWN IN BRACKETS.

9. CONNECT STRAP B4-B8 & DISCONNECT STRAP B8-B9 IN BELL-SET No.41.
10. IF AN EXTENSION BELL IS REQUIRED REMOVE STRAP & CONNECT BELL BETWEEN B4 & B8 IN BELL SET No.41.
11. THE DIAGRAM SHOWS CONNEXIONS FOR PLAN 7. FOR PLAN 7A DISCONNECT STRAPS B1-B2, B3-B4, B20-B21 & B23-B24. CONNECT STRAPS B21-B22 & B24-B25 IN BELL-SET No.39C.
12. EARLY SUPPLIES OF BELL-SET No.39C WERE FITTED WITH FILTER SUPPRESSION No.6A.
13. 2 OR 3 CELLS LECLANCHÉ DR2 TO BE PROVIDED ACCORDING TO REQUIRMENTS (SEE EI TELE. STATIONS. A3205.)

EXTENSION.

14. FIT CORD, INST. No.5/14B...AND BLOCK TERMINAL No.20/8 AND STRAP BT1-BT2. FIT KEY No.304B WITH 2 PARTS No.1/SPL/325 (PLUNGERS) IN POSITIONS A&C OF THE TELEPHONE. SET LATCH BRACKET CONTROL PLATE OF THE KEY AS SHOWN ON DGM. 4301.FIG.1. CONNECT STRAPS BETWEEN T1-K1-K8 AND T7-K2 FIT LABEL No.252U ON TELEPHONE.
15. CONNECT BELL No.56D WITH COILS IN PARALLEL.
16. IF AN EXTENSION BELL IS REQUIRED REMOVE STRAP & CONNECT BELL BETWEEN BT1 & BT2.

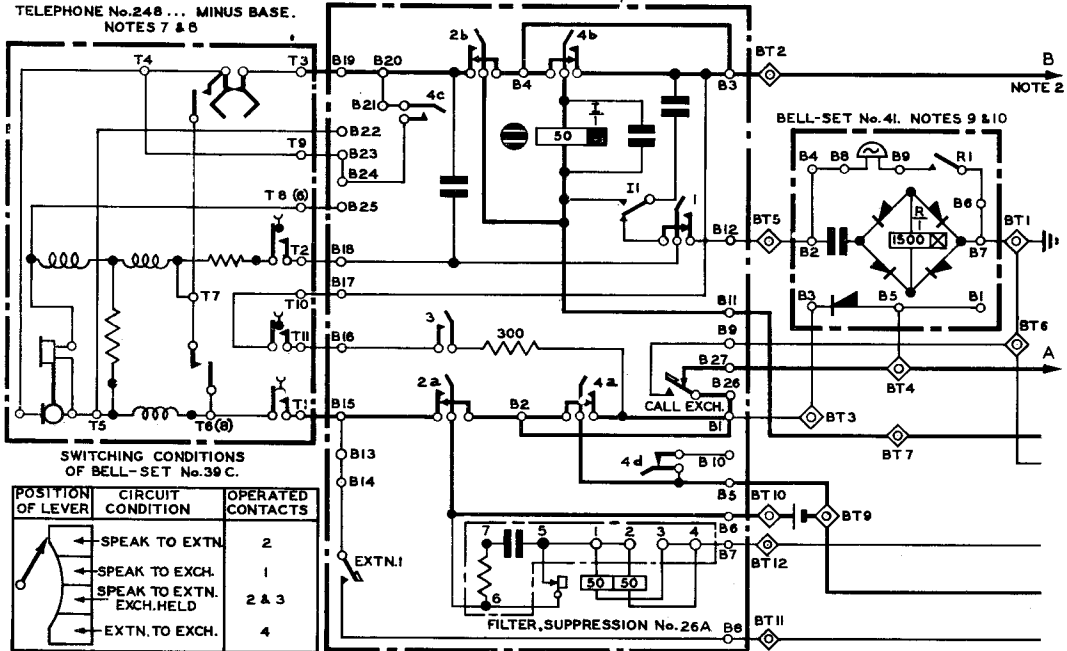


N 3928
5 PANELS-2

EXPLANATORY OF MAIN

BELL-SET No.39 C. NOTES 8,11 & 12

TELEPHONE No.248 ... MINUS BASE.
NOTES 7 & 8



SWITCHING CONDITIONS
OF BELL-SET No.39 C.

POSITION OF LEVER	CIRCUIT CONDITION	OPERATED CONTACTS
	SPEAK TO EXTN.	2
	SPEAK TO EXCH.	1
	SPEAK TO EXTN. EXCH. HELD	2 & 3
	EXTN. TO EXCH.	4

N3928
5 PANELS-4

USING TELEPHONE No.248 C.B. MINUS BASE & BELL-SETS No.39C & 41 AT THE MAIN
AND TELEPHONE No.314...WITH KEY No.304B AT THE EXTENSION.

WIRING

