

**AUTOMATIC SYSTEM  
SHARED SERVICE (SEPARATE METERING)  
SUBSCRIBER EXTENSION PLAN 4 (INTERNAL ONLY)**

**NOTES:—**

1. This diagram is suitable for one or more portable Telephones No. 312... terminated on a plug and one or more fixed jack positions connected in parallel. The full facilities given by Plan 4 are shown on Diagram N1427.
2. The connexions shown are for X Subscribers. For Y Subscribers reverse the A and B wires.
3. If more convenient, the Exchange-line and Earth may be connected to any jack position instead of to the Bell Set No. 26.
4. Cords in which all conductors are not used, cut the spares back at both ends.
5. If an Extension Bell is required, remove strap and connect bell between B9 and E in Bell Set No. 26.
6. In Bell Set No. 26, remove Straps B4-B5 and B7-B8 and connect Straps B2-B3 and B9-E. Fit Thermistor No. 1A-1 between B8 & B9 in Bell Set.

USE OF VALVE, ELECTRONIC CV8790

12. In UAX Areas with vibrator ringing a Valve, Electronic, CV8790 should be connected between the terminals shown.

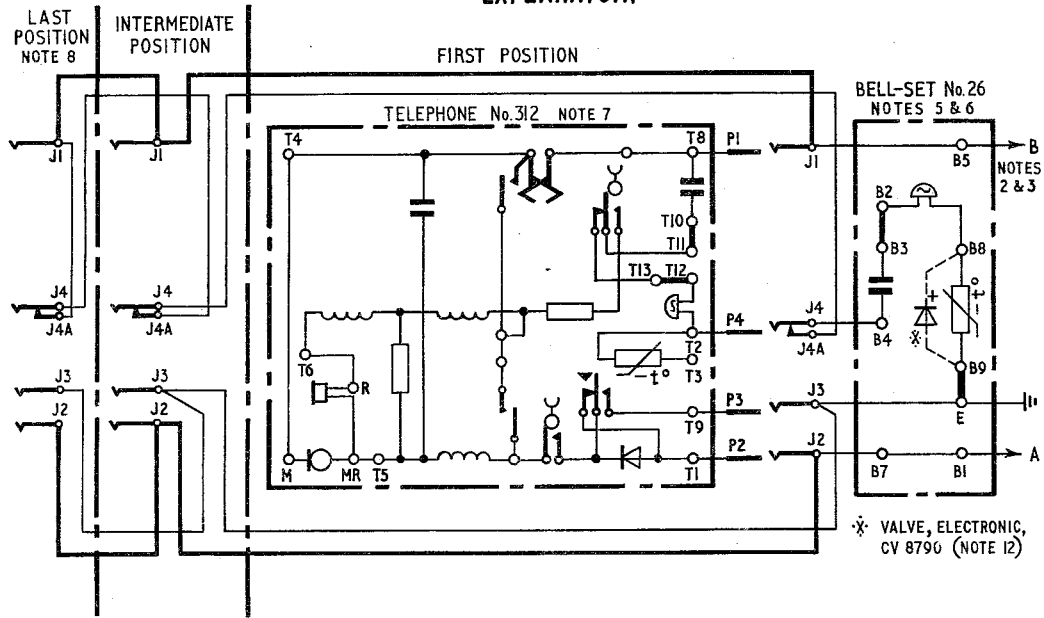
USING ONE TELEPHONE No. 312... WITH PLUG No. 404 AND JACKS No. 65

7. Remove Cord Inst. No. 3/62B... and Block Terminal No. 20/4 from telephone, fit Cord Inst. No. 4/92AB Grebe 72" and Plug No. 404, remove Strap T3-T9. Fit Label No. 252 Q on telephone.
8. Connect Strap J1-J4A at last jack position.  
  
USING TWO OR MORE TELEPHONES No. 312... WITH PLUGS No. 612 & JACKS No. 64A
9. Remove Cord Inst. No. 3/62B... and Block Terminal No. 20/4 from telephone, fit Cord Inst. No. 6/28B Brown 72" and Plug No. 612, remove Straps T3-T9 and T12-T13. Fit Label No. 252 Q on telephone.
10. At each jack position connect Strap J1A-J6.
11. At last jack position connect Straps J1A-J6 and J1-J4.

PD TELECOMMS HOURS COLOUR:- Y DISTN:- CB & AUTO	ISSUE			
		G	REDRAWN, MADE YELLOW, JACK No. 64 DELETED <i>ML</i> TD7.1.1	25.7.74
		F	NEW FORMAT	30.6.70

FIG.1. USING ONE TELEPHONE No.312 WITH PLUG No.404 AND JACKS No.65

EXPLANATORY



WIRING

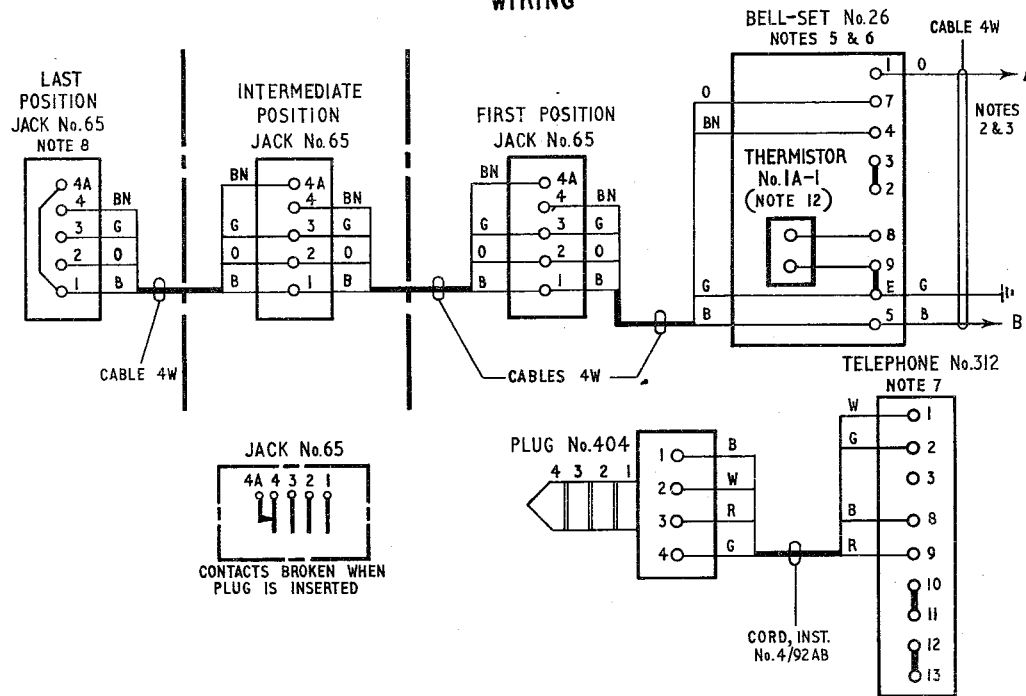
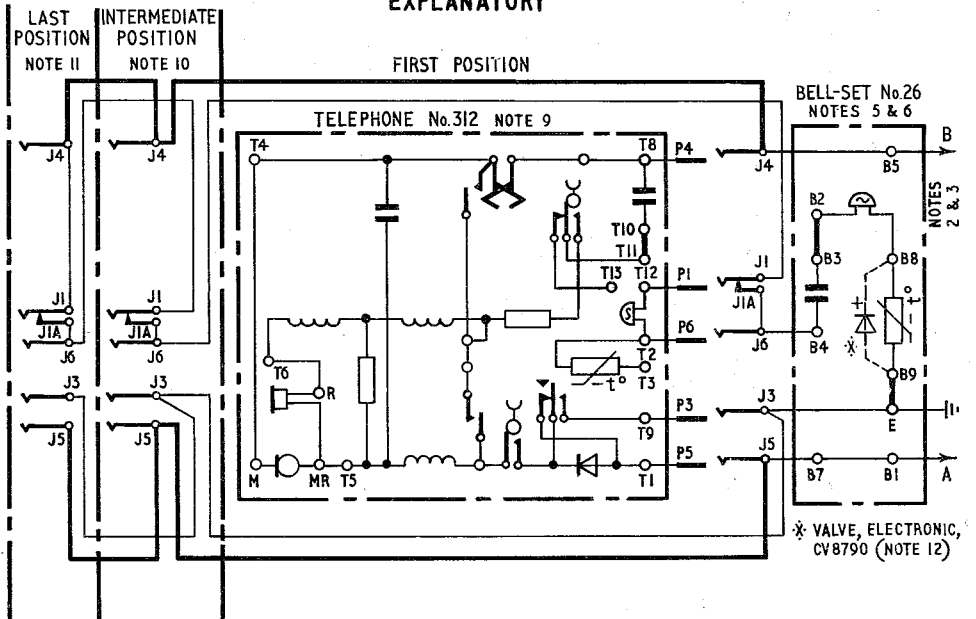


FIG.2. USING TWO OR MORE TELEPHONES No.312 WITH PLUG No.612 AND JACKS No.64A

EXPLANATORY



WIRING

